

9 8 7 6 5 4 3 2 1

G G

F F

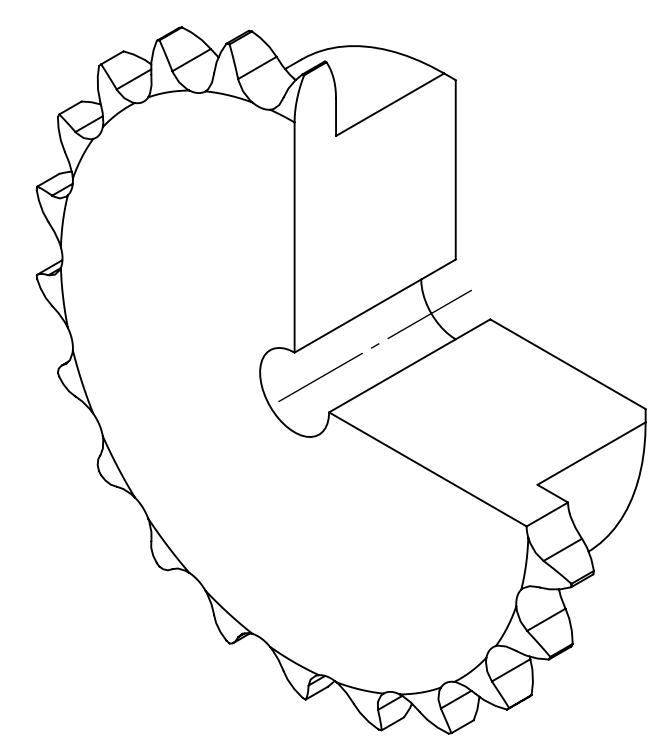
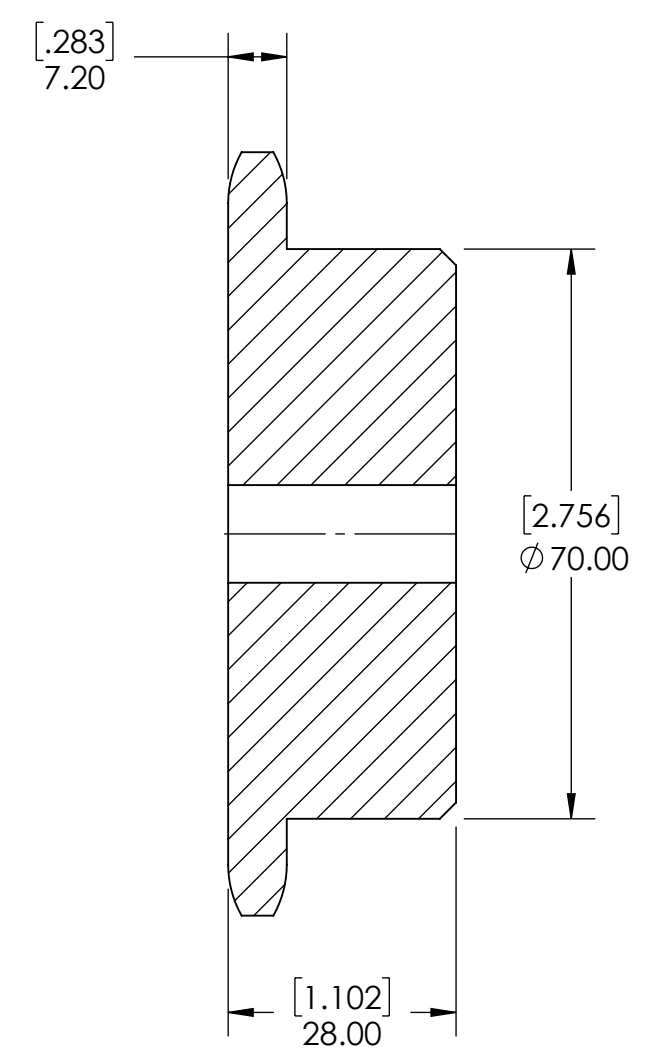
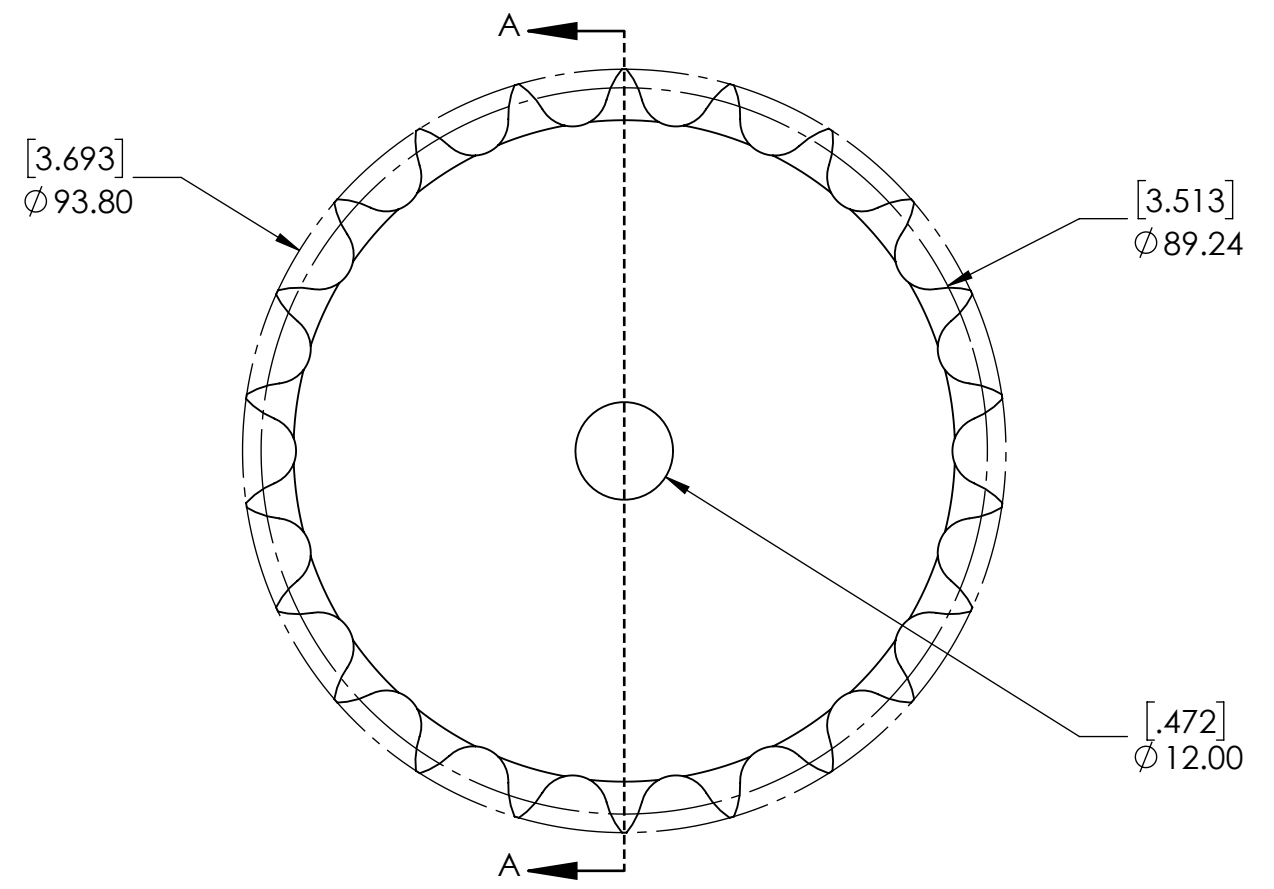
E E

D D

C C

B B

A A



SECTION A-A

SPROCKETS SPECIFICATIONS		WEIGHT		DATE		BY		REVISION DESCRIPTION		REV
UNITS	mm (INCH)	2.07 LBS								SCALE
CHAIN SIZE	08B	MATERIAL STAINLESS STEEL								1:1
PITCH	12.70 mm	COATING N/A		DRAWN SEC 07/21/2025						REV
INNER WIDTH	7.75 mm	CHECKED PT 07/24/2025		APPROVED						-
ROLLER DIA.	8.51 mm	APPROVED		DATE						
TOOTH WIDTH	7.20 mm	THIRD ANGLE PROJECTION		ITEM DESCRIPTION:						
NUMBER OF TEETH	22	DWG. NO.		08B-22BSS						
HUB STYLE	B	PROPRIETARY AND CONFIDENTIAL								
BORE TYPE	PLAIN BORE	THE INFORMATION CONTAINED IN THIS DRAWING IS THE SOLE PROPERTY OF SOLVE IMG. ANY REPRODUCTION IN PART OR AS A WHOLE WITHOUT THE WRITTEN PERMISSION OF SOLVE IMG IS PROHIBITED.								
BUSHING NUMBER	N/A									

9 8 7 6 5 4 3 2 1