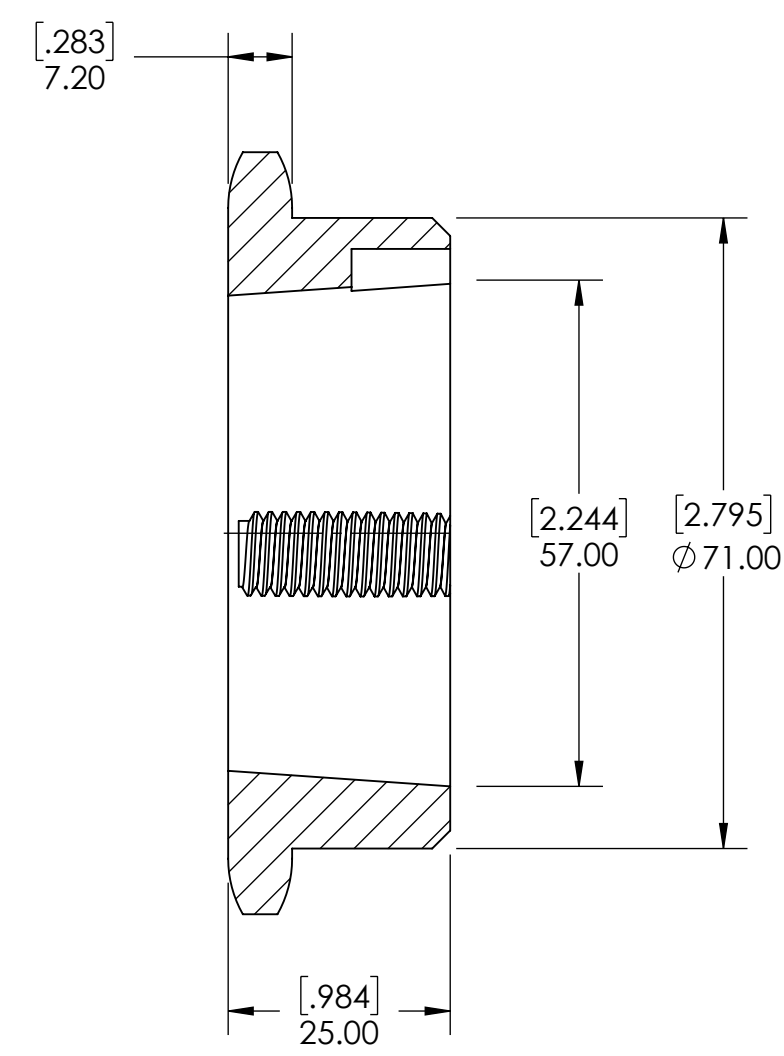
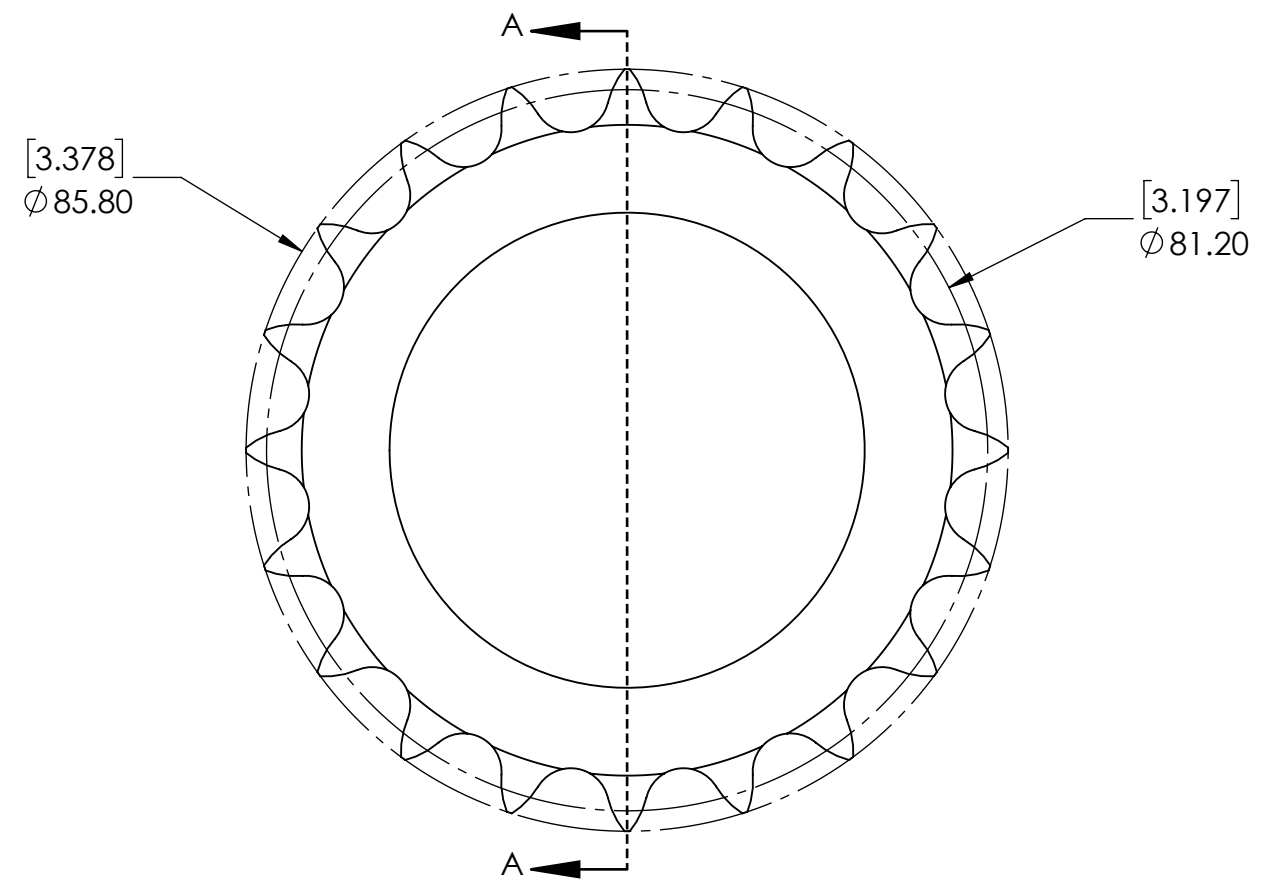
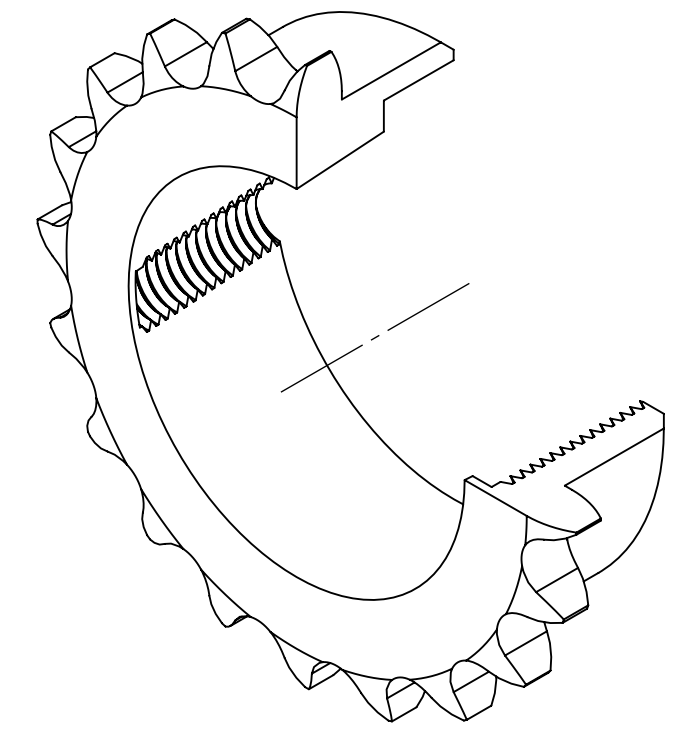


9 8 7 6 5 4 3 2 1

G F E D C B A



SECTION A-A



A B C D E F G

9 8 7 6 5 4 3 2 1

SPROCKETS SPECIFICATIONS		WEIGHT		DATE		BY		REVISION DESCRIPTION		REV
UNITS	mm (INCH)	0.73 LBS								SCALE
CHAIN SIZE	08B	STEEL								1:1
PITCH	12.70 mm	BLACK OXIDE		07/21/2025						REV
INNER WIDTH	7.75 mm	DRAWN SEC		07/28/2025						-
ROLLER DIA.	8.51 mm	CHECKED SEC								
TOOTH WIDTH	7.20 mm	APPROVED								
NUMBER OF TEETH	20	THIRD ANGLE PROJECTION								
HUB STYLE	B	DWG. NO.								
BORE TYPE	FOR TAPER BUSHING	PTI		PROPRIETARY AND CONFIDENTIAL						
BUSHING NUMBER	1610	ITEM DESCRIPTION:		08B-20TL-1610						

THE INFORMATION CONTAINED IN THIS DRAWING IS THE SOLE PROPERTY OF SOLVE IMG. ANY REPRODUCTION IN PART OR AS A WHOLE WITHOUT THE WRITTEN PERMISSION OF SOLVE IMG IS PROHIBITED.