

9 8 7 6 5 4 3 2 1

G G

F F

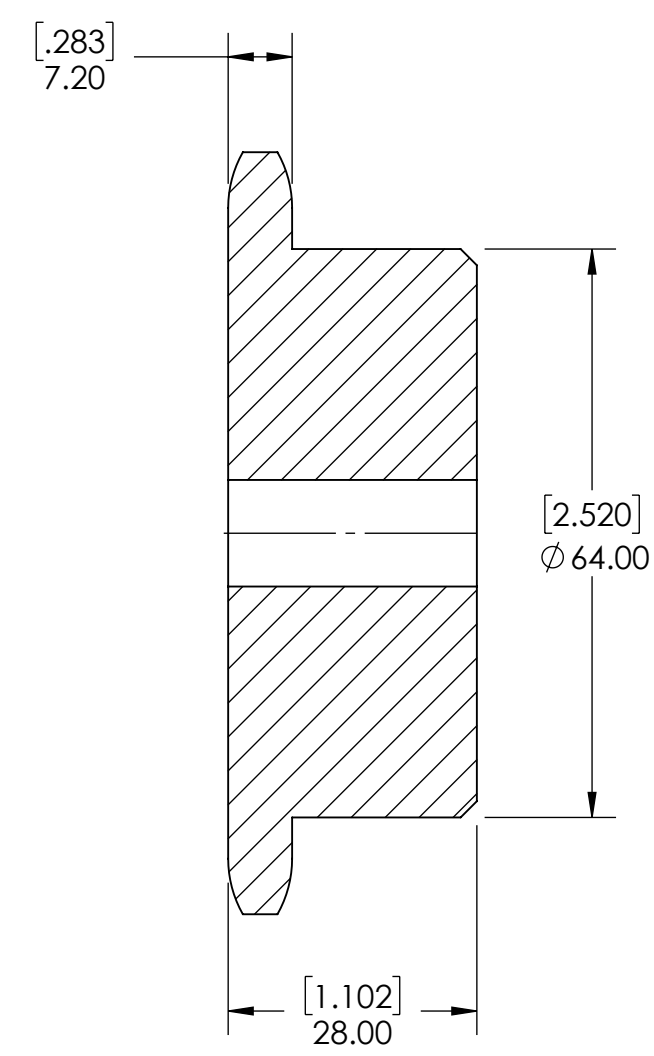
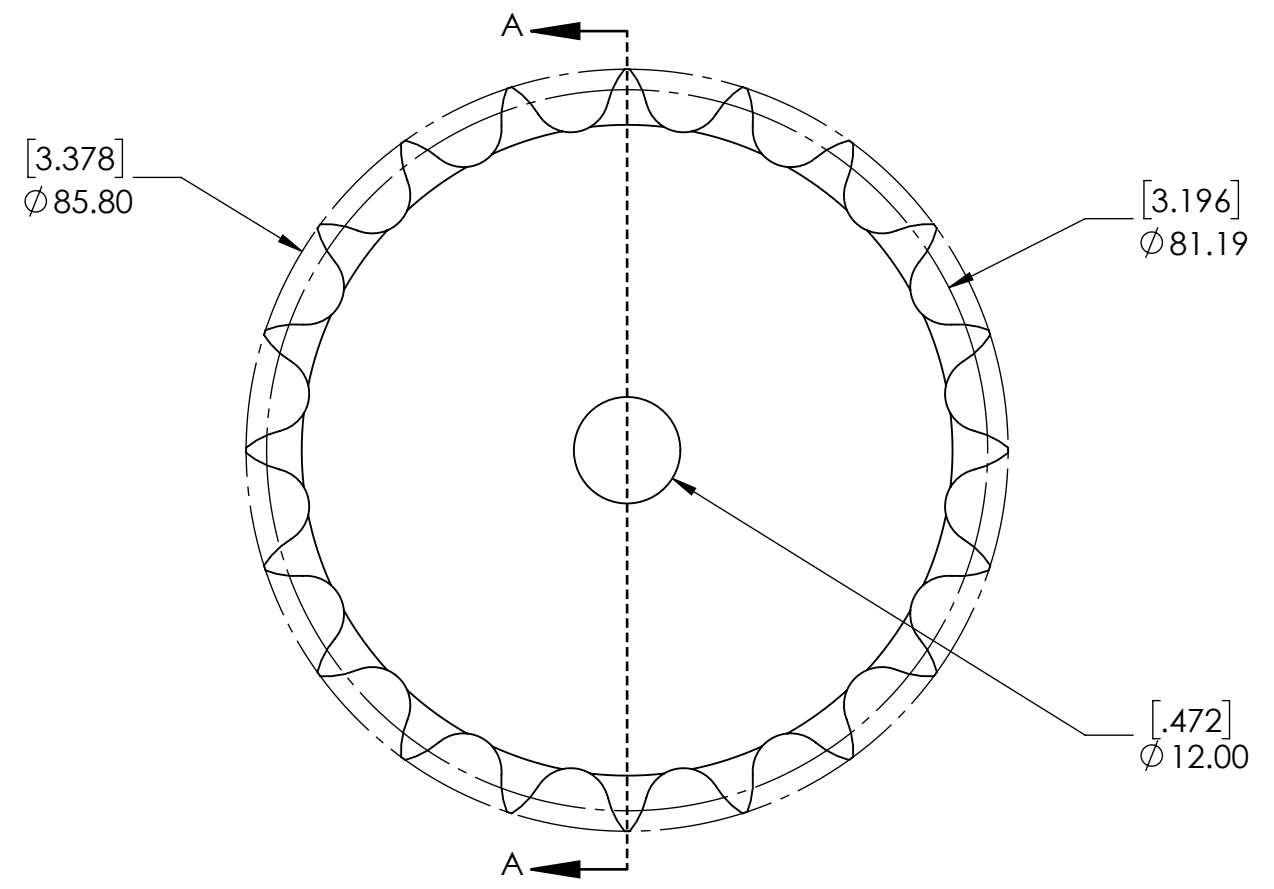
E E

D D

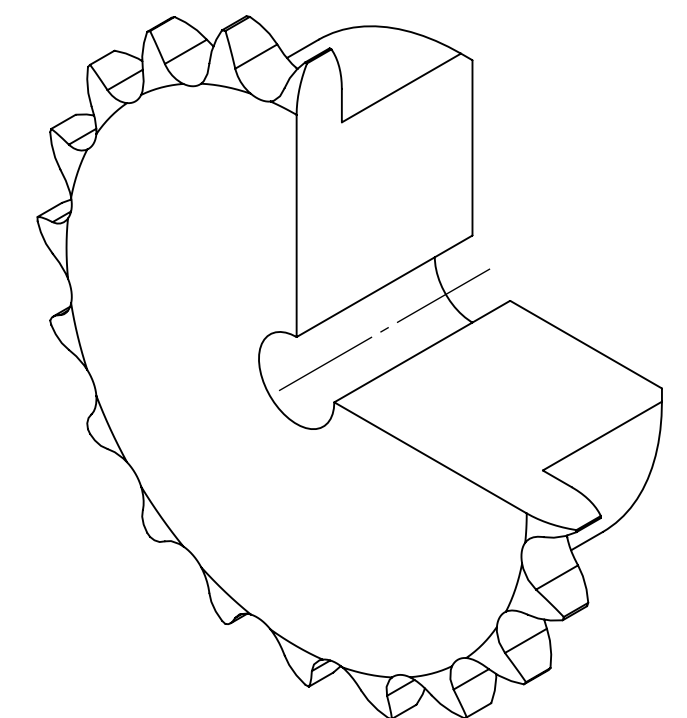
C C

B B

A A



SECTION A-A



SPROCKETS SPECIFICATIONS		WEIGHT		1.68 LBS				
UNITS	mm (INCH)	MATERIAL	STEEL					
CHAIN SIZE	08B	COATING	BLACK OXIDE					
PITCH	12.70 mm	DRAWN	SEC	07/21/2025				
INNER WIDTH	7.75 mm	CHECKED	PT	07/25/2025				
ROLLER DIA.	8.51 mm	APPROVED						
TOOTH WIDTH	7.20 mm	DATE				BY	REVISION DESCRIPTION	REV
NUMBER OF TEETH	20	SIZE		B		ITEM DESCRIPTION:		SCALE
HUB STYLE	B	DWG. NO.		PTI		08B-20B		1:1
BORE TYPE	PLAIN BORE	PROPRIETARY AND CONFIDENTIAL		THE INFORMATION CONTAINED IN THIS DRAWING IS THE SOLE PROPERTY OF SOLVE IMG. ANY REPRODUCTION IN PART OR AS A WHOLE WITHOUT THE WRITTEN PERMISSION OF SOLVE IMG IS PROHIBITED.				REV
BUSHING NUMBER	N/A							-

9 8 7 6 5 4 3 2 1