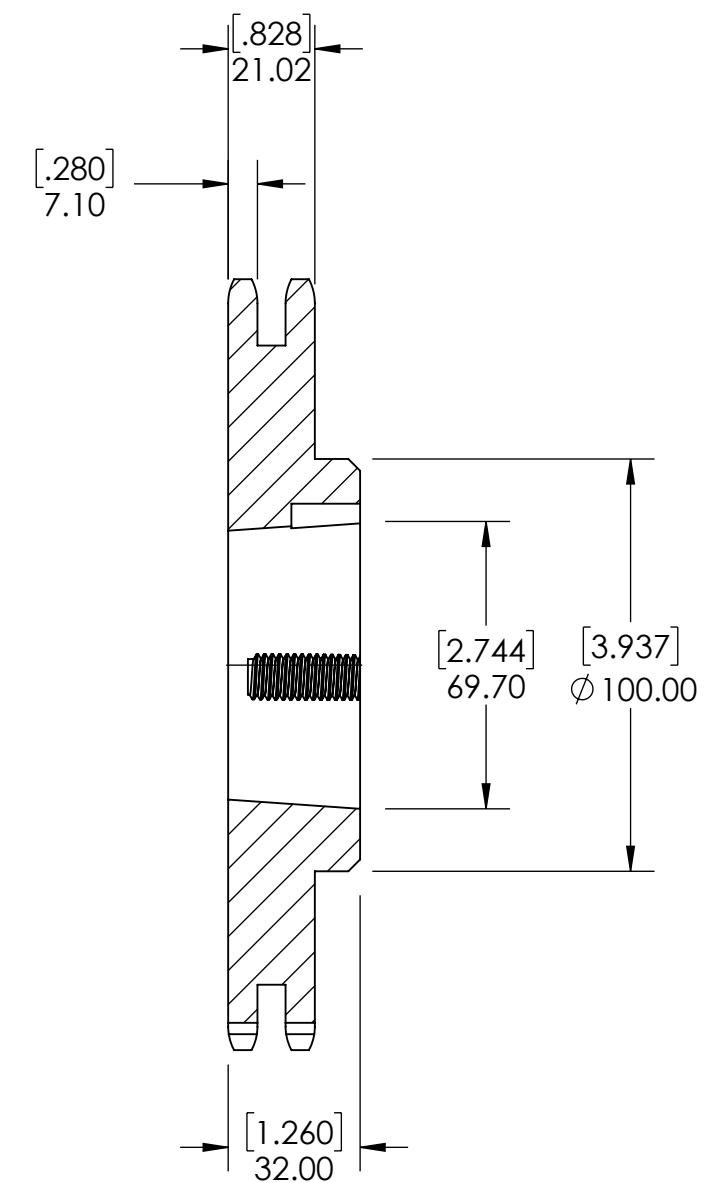
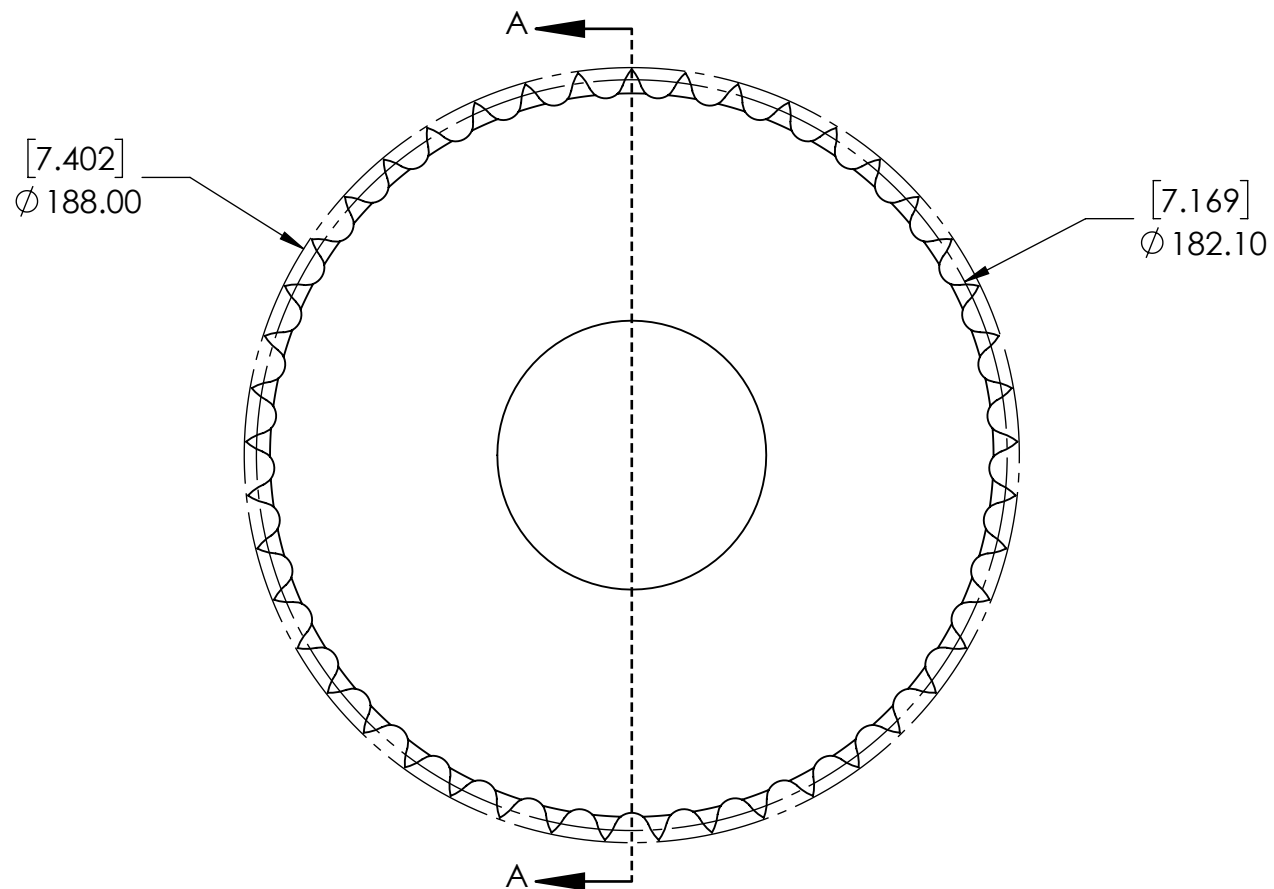


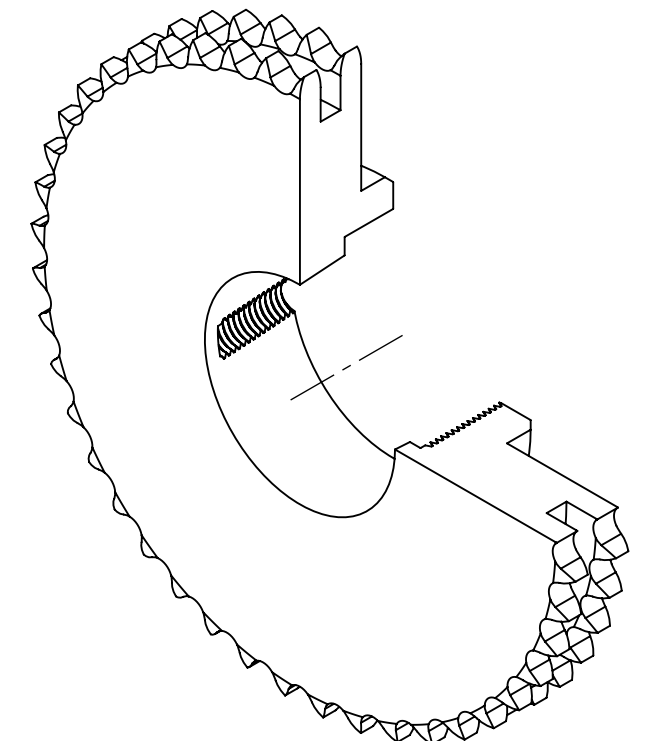
9 8 7 6 5 4 3 2 1

G
F
E
D
C
B
A

G
F
E
D
C
B
A



SECTION A-A



SPROCKETS SPECIFICATIONS		WEIGHT		DATE		BY		REVISION DESCRIPTION		REV
UNITS	mm (INCH)	7.78 LBS								SCALE
CHAIN SIZE	08B	STEEL								1:1
PITCH	12.70 mm	BLACK OXIDE		08/05/2025						REV
INNER WIDTH	7.75 mm	DRAWN		SEC						-
ROLLER DIA.	8.51 mm	CHECKED		SEC						
TOOTH WIDTH	7.10 mm	APPROVED								
NUMBER OF TEETH	45	THIRD ANGLE PROJECTION								
HUB STYLE	B	DWG. NO.								
BORE TYPE	FOR TAPER BUSHING	PTI		PROPRIETARY AND CONFIDENTIAL						
BUSHING NUMBER	2012	08B-2-45TL-2012		THE INFORMATION CONTAINED IN THIS DRAWING IS THE SOLE PROPERTY OF SOLVE IMAG. ANY REPRODUCTION IN PART OR AS A WHOLE WITHOUT THE WRITTEN PERMISSION OF SOLVE IMAG IS PROHIBITED.						

9 8 7 6 5 4 3 2 1