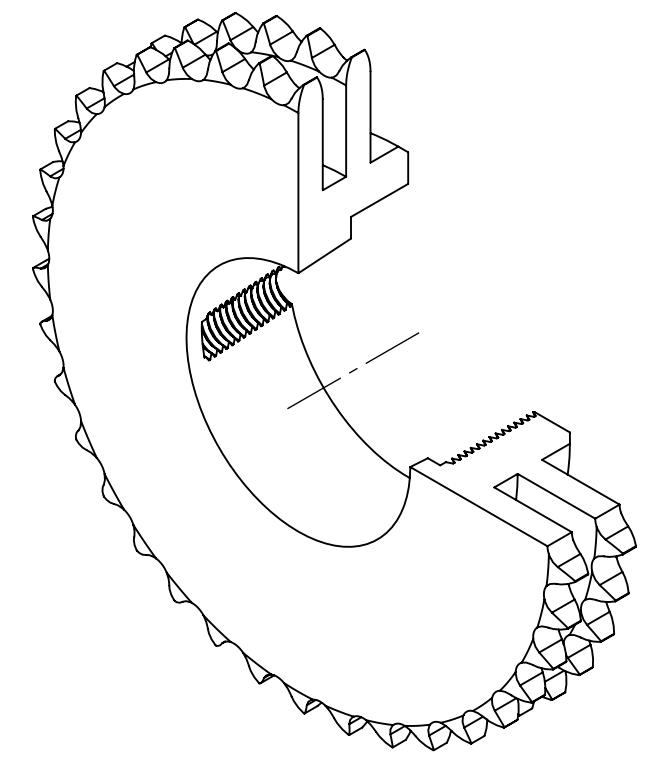
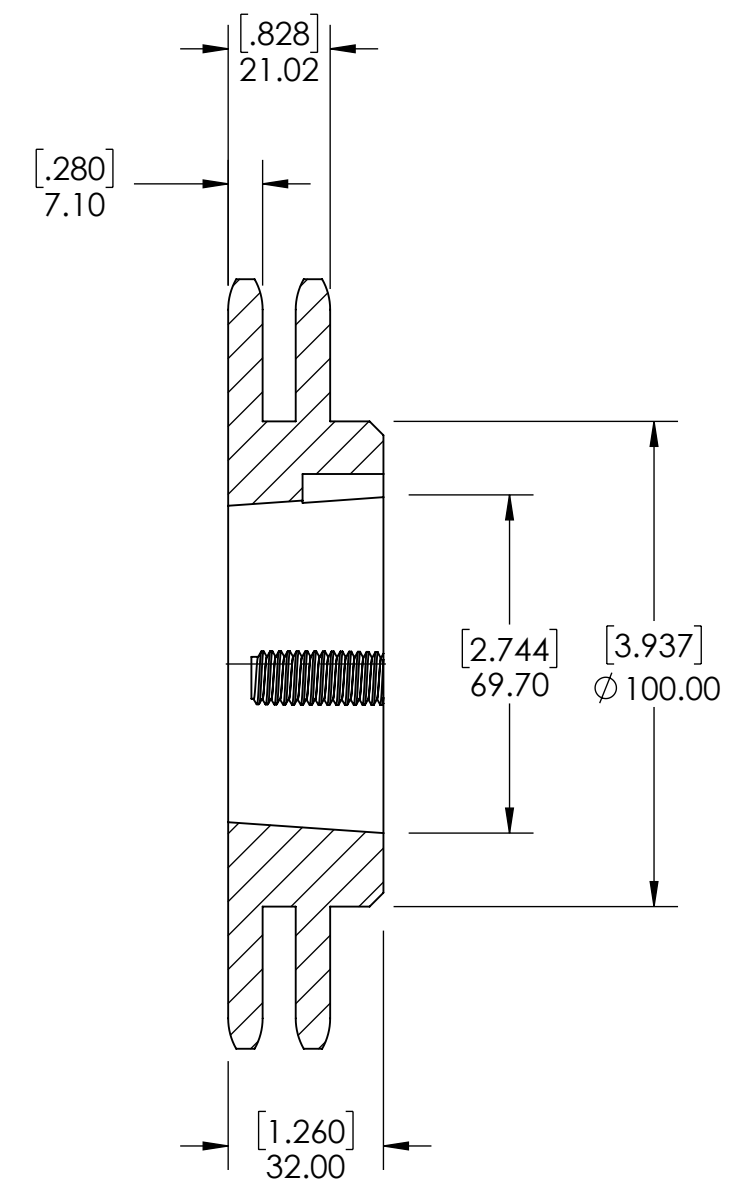
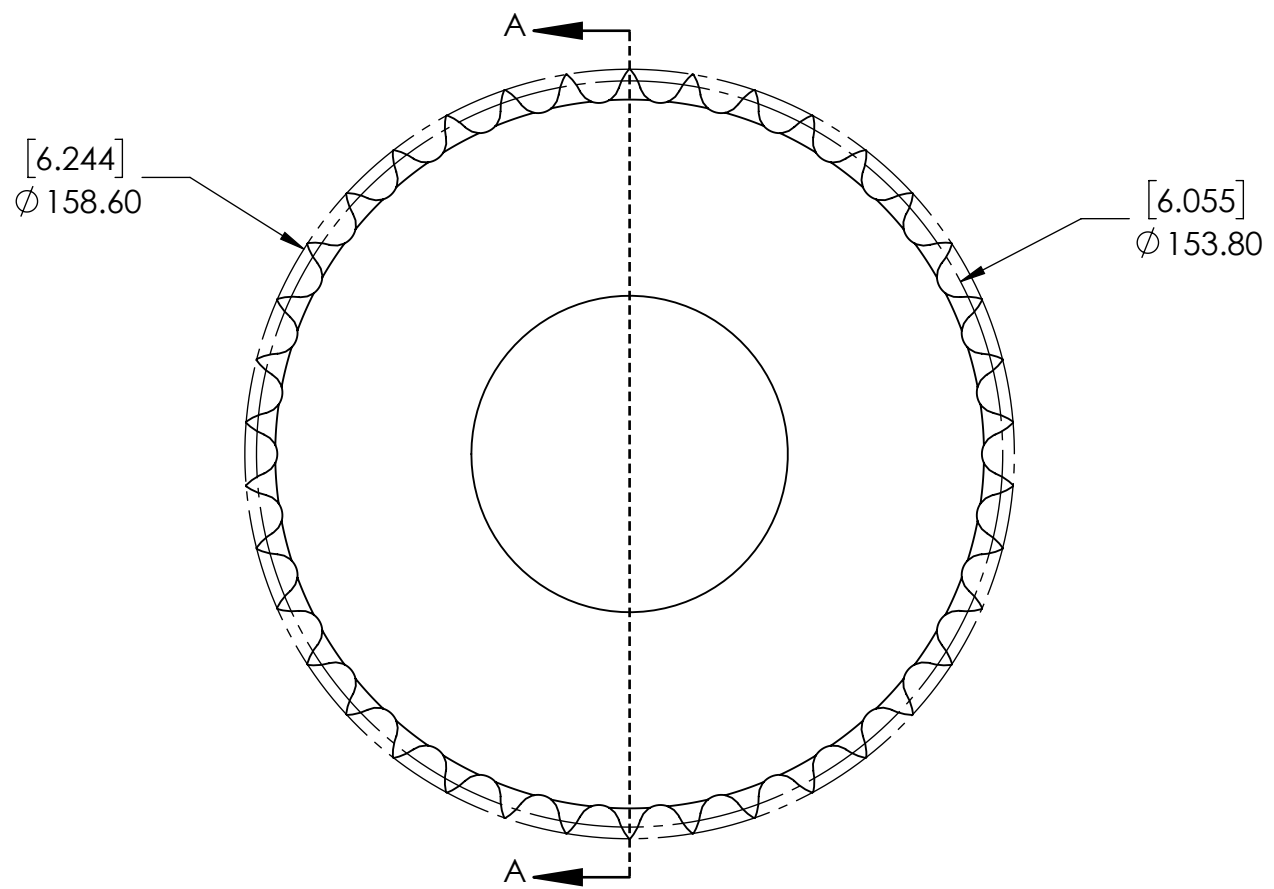


9 8 7 6 5 4 3 2 1

G
F
E
D
C
B
A

G
F
E
D
C
B
A



SECTION A-A

SPROCKETS SPECIFICATIONS		WEIGHT		DATE		BY		REVISION DESCRIPTION		REV
UNITS	mm (INCH)	4.69 LBS								
CHAIN SIZE	08B	STEEL								
PITCH	12.70 mm	BLACK OXIDE								
INNER WIDTH	7.75 mm	DRAWN SEC 07/30/2025								
ROLLER DIA.	8.51 mm	CHECKED EG 07/30/2025								
TOOTH WIDTH	7.10 mm	APPROVED								
NUMBER OF TEETH	38	THIRD ANGLE PROJECTION								
HUB STYLE	B	DWG. NO.		ITEM DESCRIPTION:						SCALE
BORE TYPE	FOR TAPER BUSHING	B PTI		08B-2-38TL-2012						1:1
BUSHING NUMBER	2012	PROPRIETARY AND CONFIDENTIAL								REV
		THE INFORMATION CONTAINED IN THIS DRAWING IS THE SOLE PROPERTY OF SOLVE IMG. ANY REPRODUCTION IN PART OR AS A WHOLE WITHOUT THE WRITTEN PERMISSION OF SOLVE IMG IS PROHIBITED.								-

9 8 7 6 5 4 3 2 1