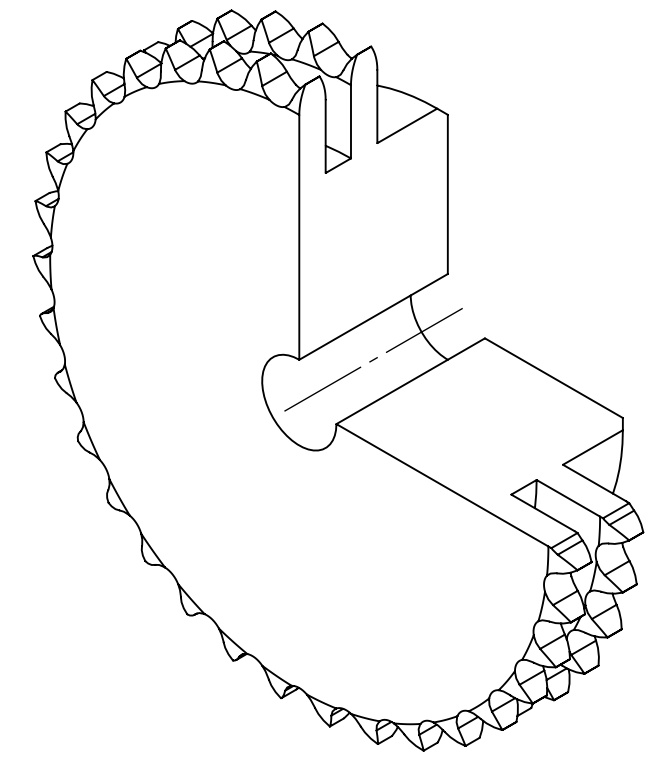
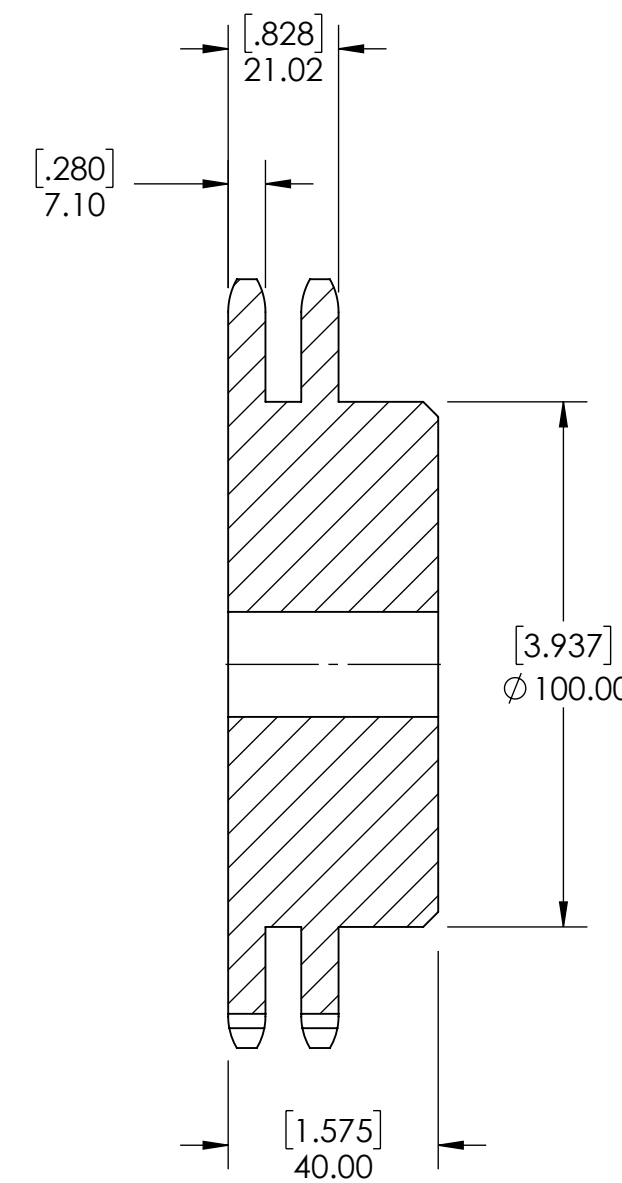
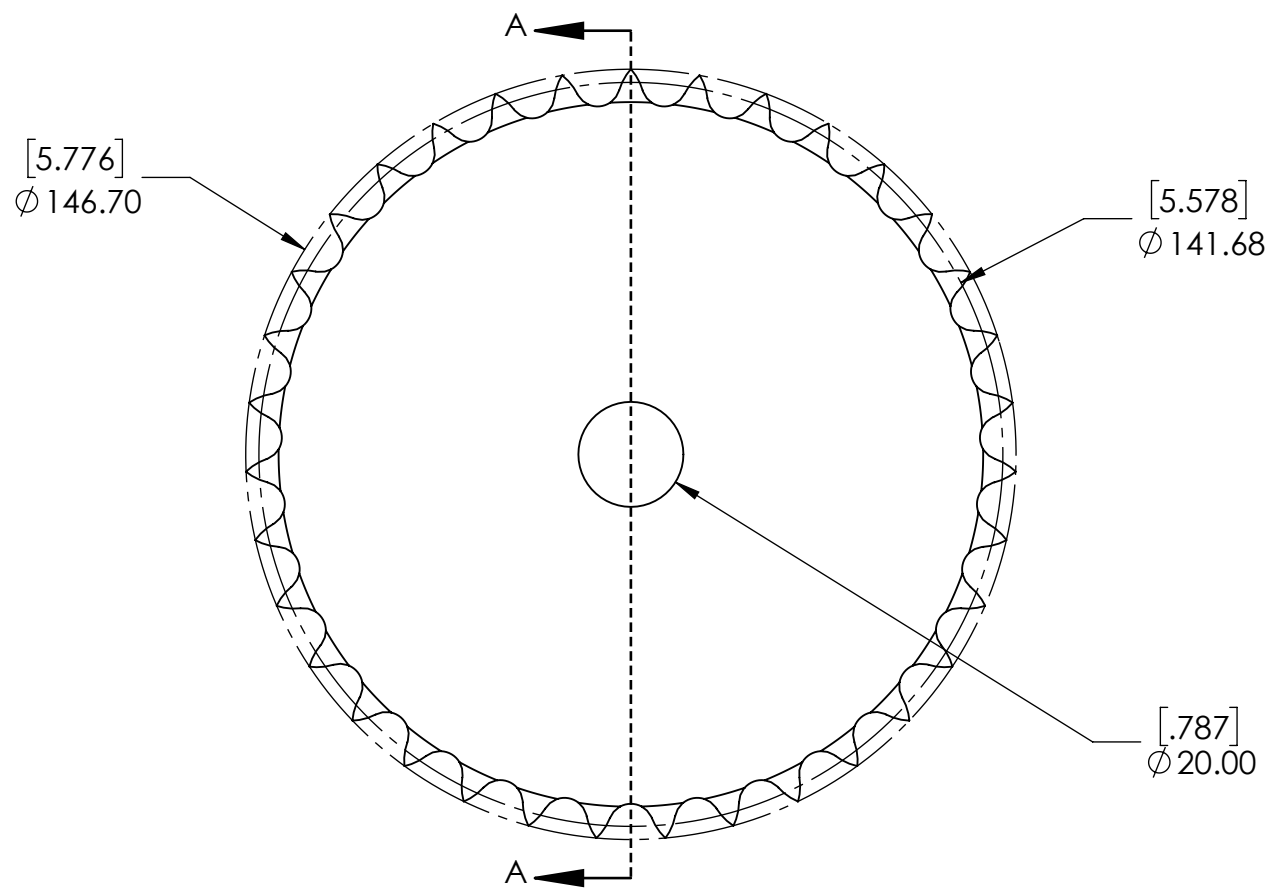


9 8 7 6 5 4 3 2 1

G F E D C B A



SECTION A-A

SPROCKETS SPECIFICATIONS		WEIGHT		DATE		BY		REVISION DESCRIPTION		REV
UNITS	mm (INCH)	6.92 LBS								
CHAIN SIZE	08B	MATERIAL	STEEL							
PITCH	12.70 mm	COATING	BLACK OXIDE	DRAWN	SEC	07/30/2025				
INNER WIDTH	7.75 mm	CHECKED	PT	08/06/2025						
ROLLER DIA.	8.51 mm	APPROVED								
TOOTH WIDTH	7.10 mm									
NUMBER OF TEETH	35									
HUB STYLE	B	DWG. NO.		<small>PROPRIETARY AND CONFIDENTIAL</small> <small>THE INFORMATION CONTAINED IN THIS DRAWING IS THE SOLE PROPERTY OF SOLVE IMG. ANY REPRODUCTION IN PART OR AS A WHOLE WITHOUT THE WRITTEN PERMISSION OF SOLVE IMG IS PROHIBITED.</small>		ITEM DESCRIPTION:				SCALE
BORE TYPE	PLAIN BORE					08B-2-35B				1:1
BUSHING NUMBER	N/A									-

9 8 7 6 5 4 3 2 1

A B C D E F G