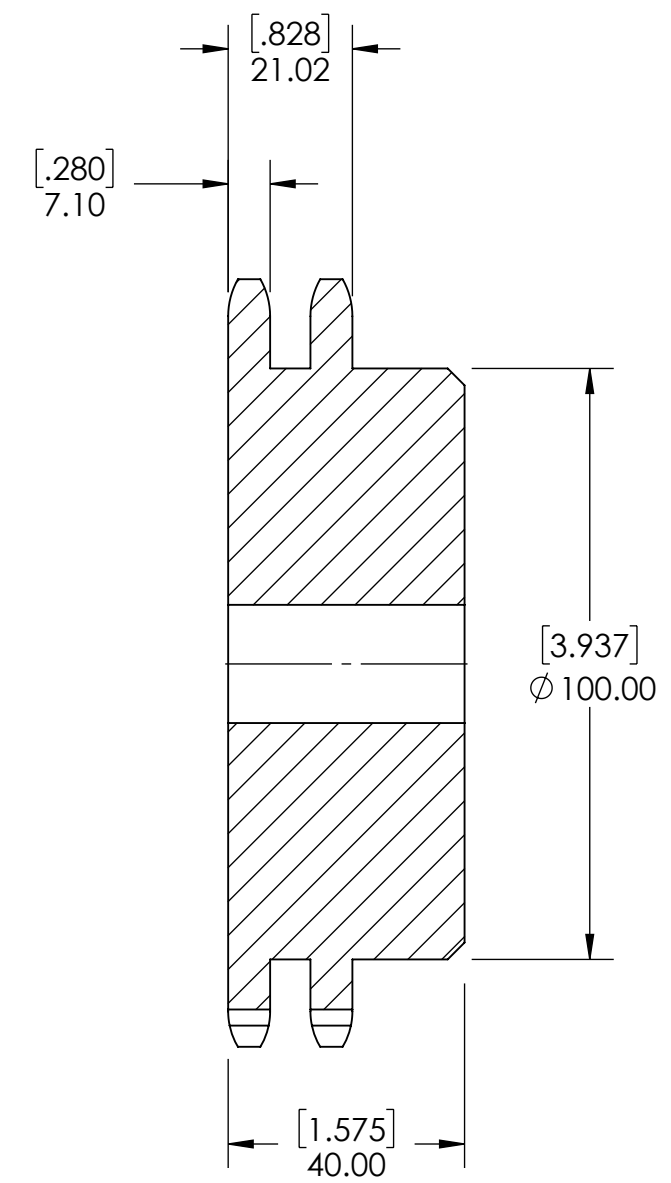
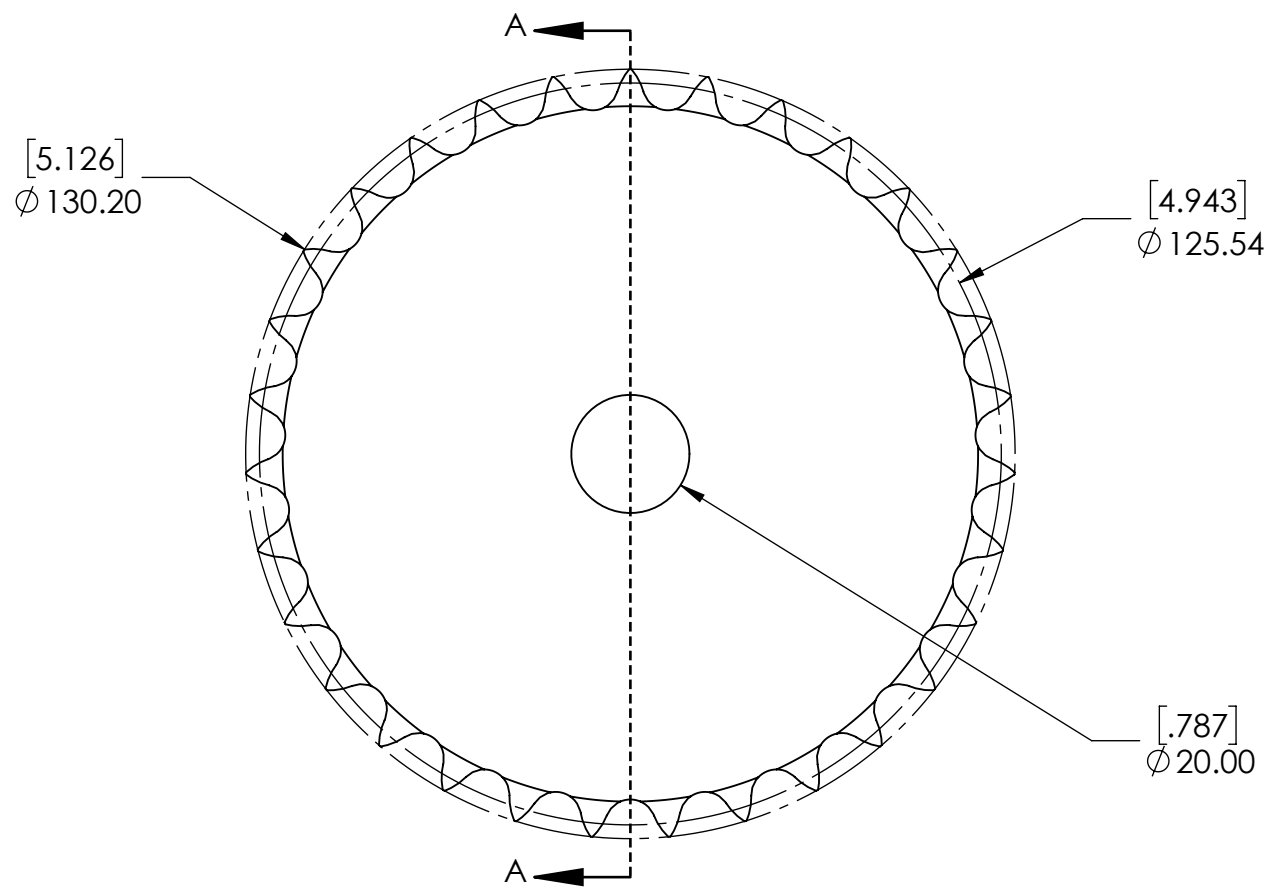


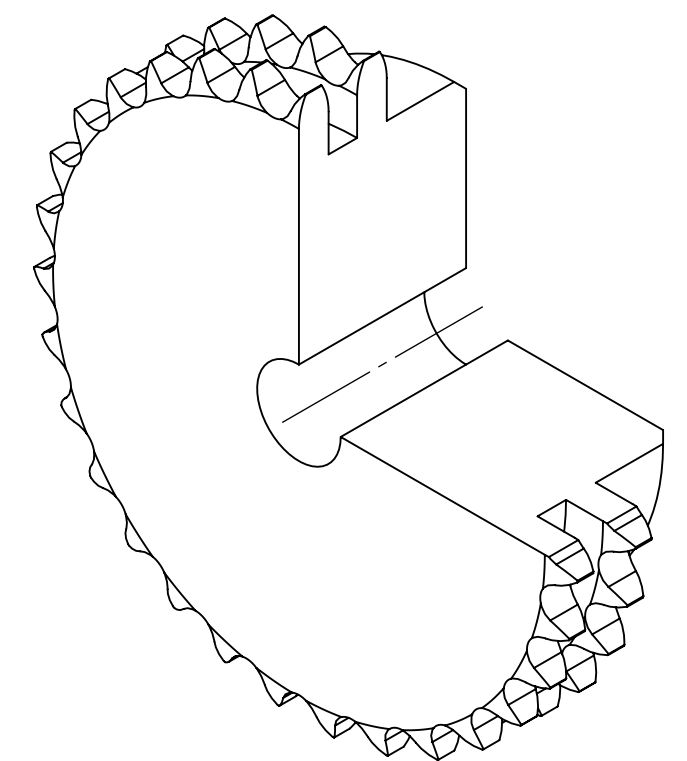
9 8 7 6 5 4 3 2 1

G  
F  
E  
D  
C  
B  
A

G  
F  
E  
D  
C  
B  
A



SECTION A-A



| SPROCKETS SPECIFICATIONS |            | WEIGHT   |  | DATE       |  | BY         |  | REVISION DESCRIPTION |  | REV   |
|--------------------------|------------|--|--|------------|--|------------|--|----------------------|--|-------|
| UNITS                    | mm (INCH)  | 6.11 LBS   |  |            |  |            |  |                      |  | SCALE |
| CHAIN SIZE               | 08B        | STEEL  |  |            |  |            |  |                      |  | 1:1   |
| PITCH                    | 12.70 mm   | BLACK OXIDE  |  | 07/30/2025 |  |            |  |                      |  | REV   |
| INNER WIDTH              | 7.75 mm    | DRAWN  |  | SEC        |  |            |  |                      |  | -     |
| ROLLER DIA.              | 8.51 mm    | CHECKED  |  | PT         |  | 08/06/2025 |  |                      |  |       |
| TOOTH WIDTH              | 7.10 mm    | APPROVED   |  |            |  |            |  |                      |  |       |
| NUMBER OF TEETH          | 31         | THIRD ANGLE PROJECTION   |  |            |  |            |  |                      |  |       |
| HUB STYLE                | B          | DWG. NO.   |  | PTI        |  |            |  |                      |  |       |
| BORE TYPE                | PLAIN BORE | PROPRIETARY AND CONFIDENTIAL   |  |            |  |            |  |                      |  |       |
| BUSHING NUMBER           | N/A        | THE INFORMATION CONTAINED IN THIS DRAWING IS THE SOLE PROPERTY OF SOLVE IMG. ANY REPRODUCTION IN PART OR AS A WHOLE WITHOUT THE WRITTEN PERMISSION OF SOLVE IMG IS PROHIBITED. |  |            |  |            |  |                      |  |       |
|                          |            |  |  | 08B-2-31B  |  |            |  |                      |  |       |

9 8 7 6 5 4 3 2 1