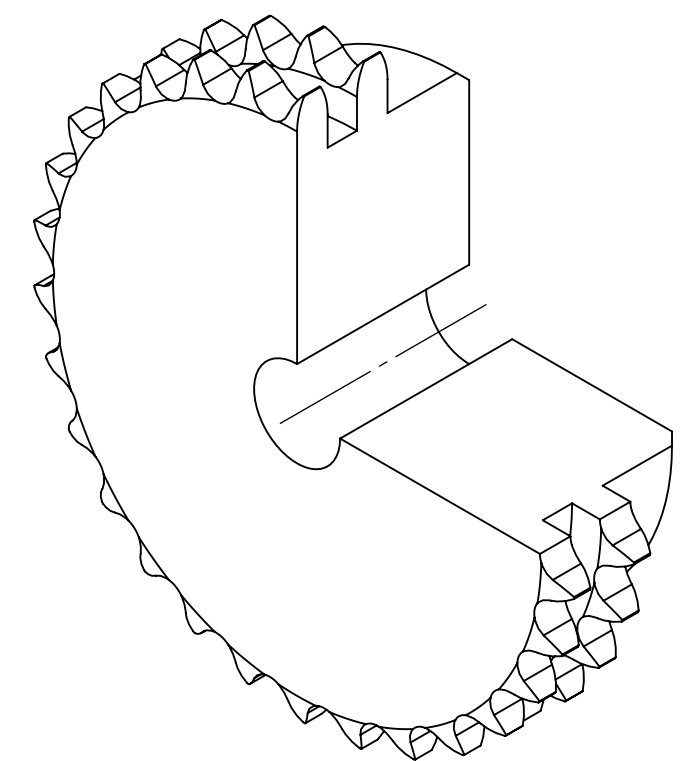
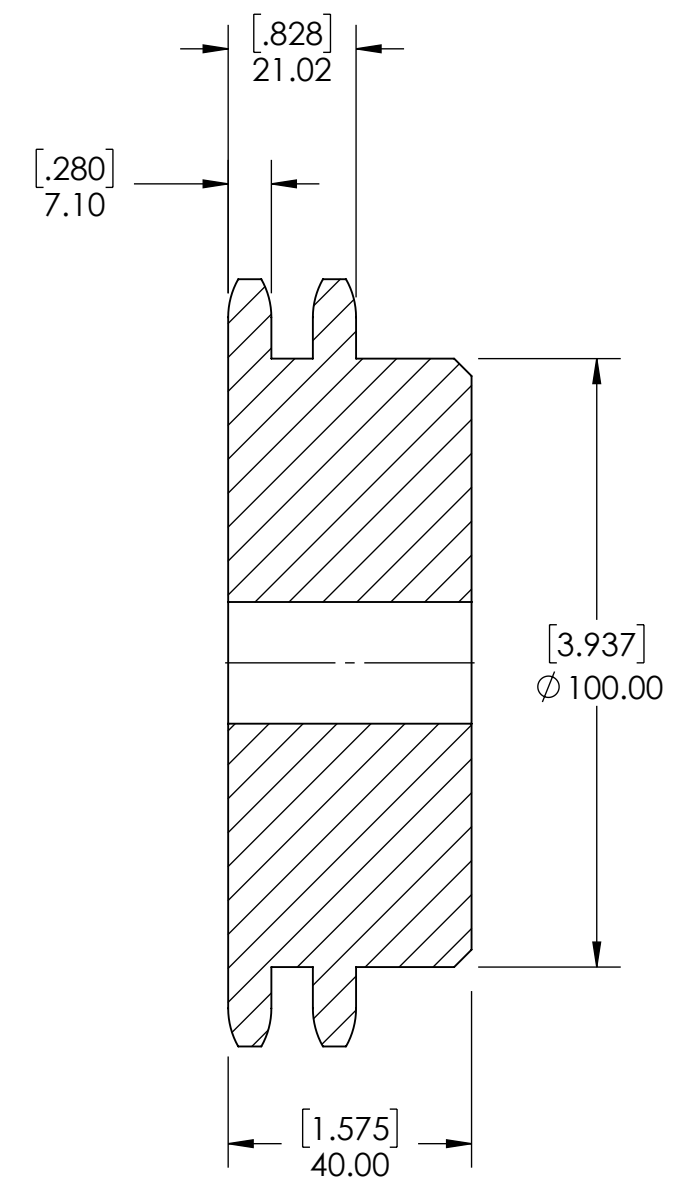
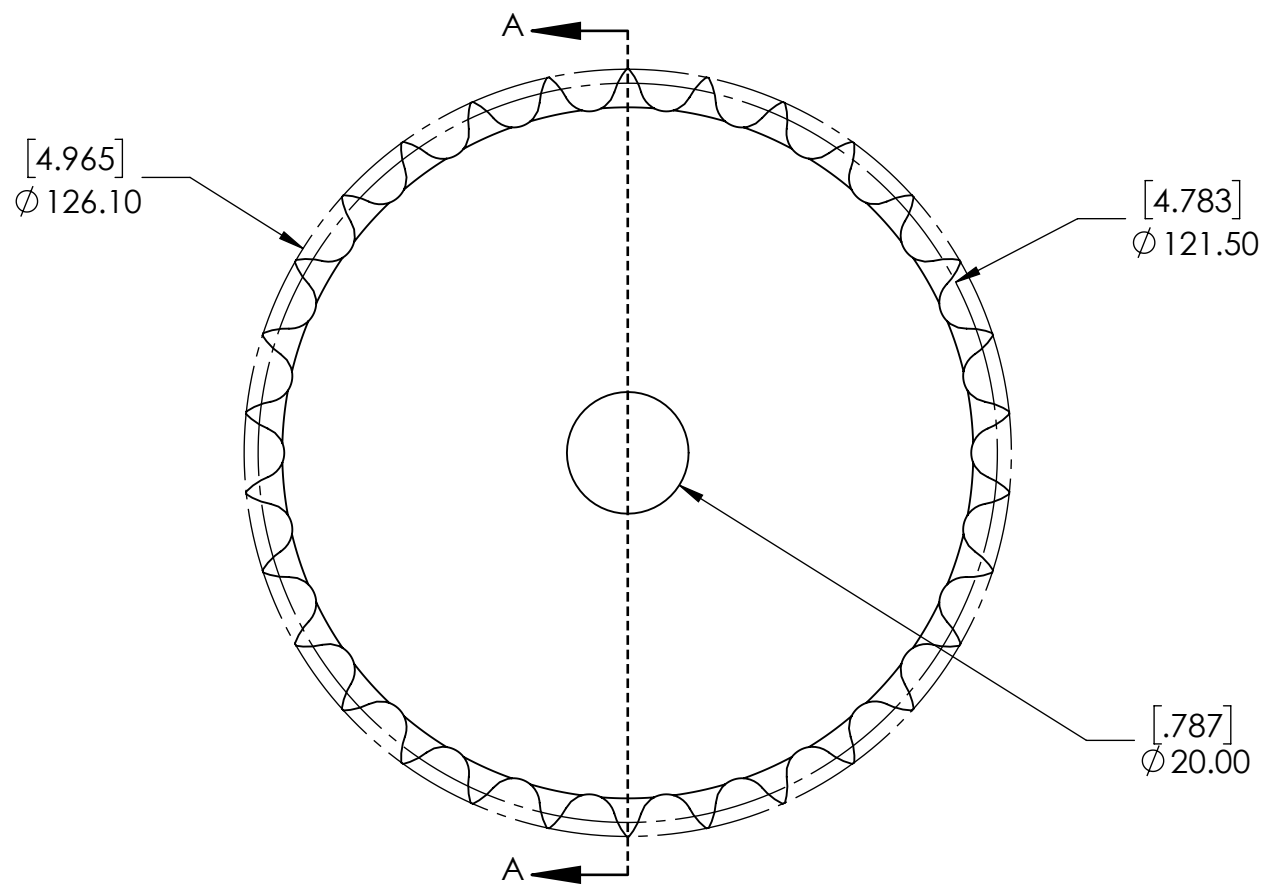


9 8 7 6 5 4 3 2 1

G
F
E
D
C
B
A

G
F
E
D
C
B
A



SECTION A-A

SPROCKETS SPECIFICATIONS		WEIGHT		5.92 LBS			
UNITS	mm (INCH)	MATERIAL	STEEL				
CHAIN SIZE	08B	COATING	BLACK OXIDE				
PITCH	12.70 mm	DRAWN	SEC	07/30/2025			
INNER WIDTH	7.75 mm	CHECKED	PT	08/06/2025			
ROLLER DIA.	8.51 mm	APPROVED					
TOOTH WIDTH	7.10 mm	DATE				BY	REVISION DESCRIPTION
NUMBER OF TEETH	30	ITEM DESCRIPTION:			SCALE		
HUB STYLE	B	08B-2-30B			1:1		
BORE TYPE	PLAIN BORE				DATE	BY	REV
BUSHING NUMBER	N/A						-



PROPRIETARY AND CONFIDENTIAL
THE INFORMATION CONTAINED IN THIS DRAWING IS THE SOLE PROPERTY OF SOLVE IMG. ANY REPRODUCTION IN PART OR AS A WHOLE WITHOUT THE WRITTEN PERMISSION OF SOLVE IMG IS PROHIBITED.

9 8 7 6 5 4 3 2 1