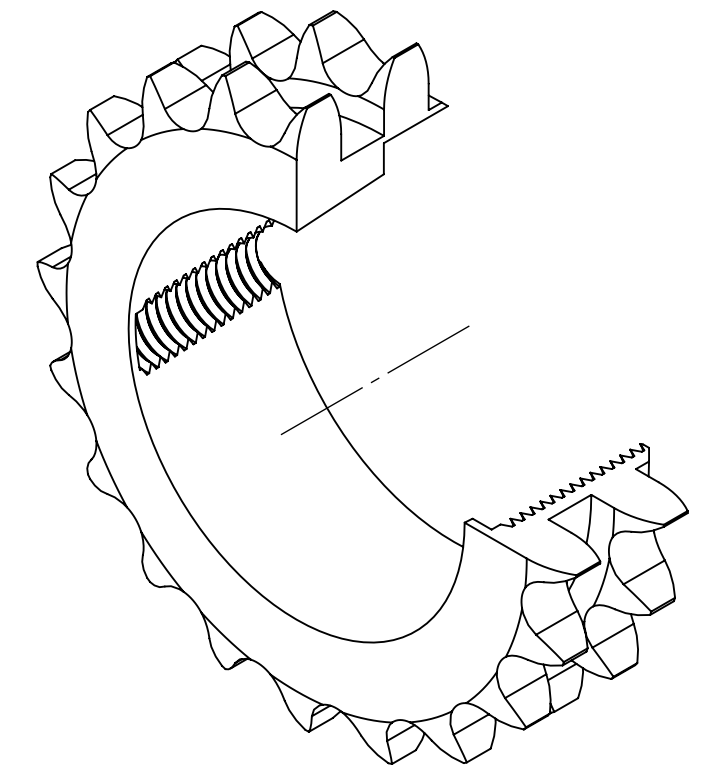
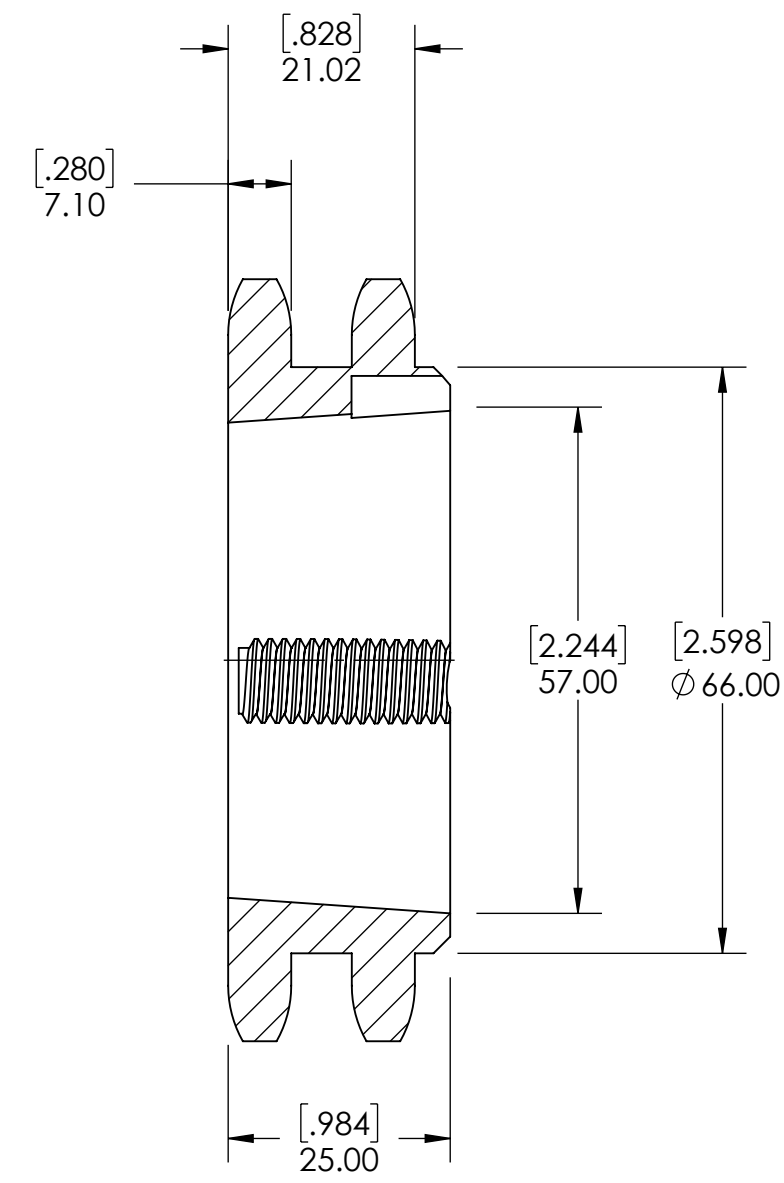
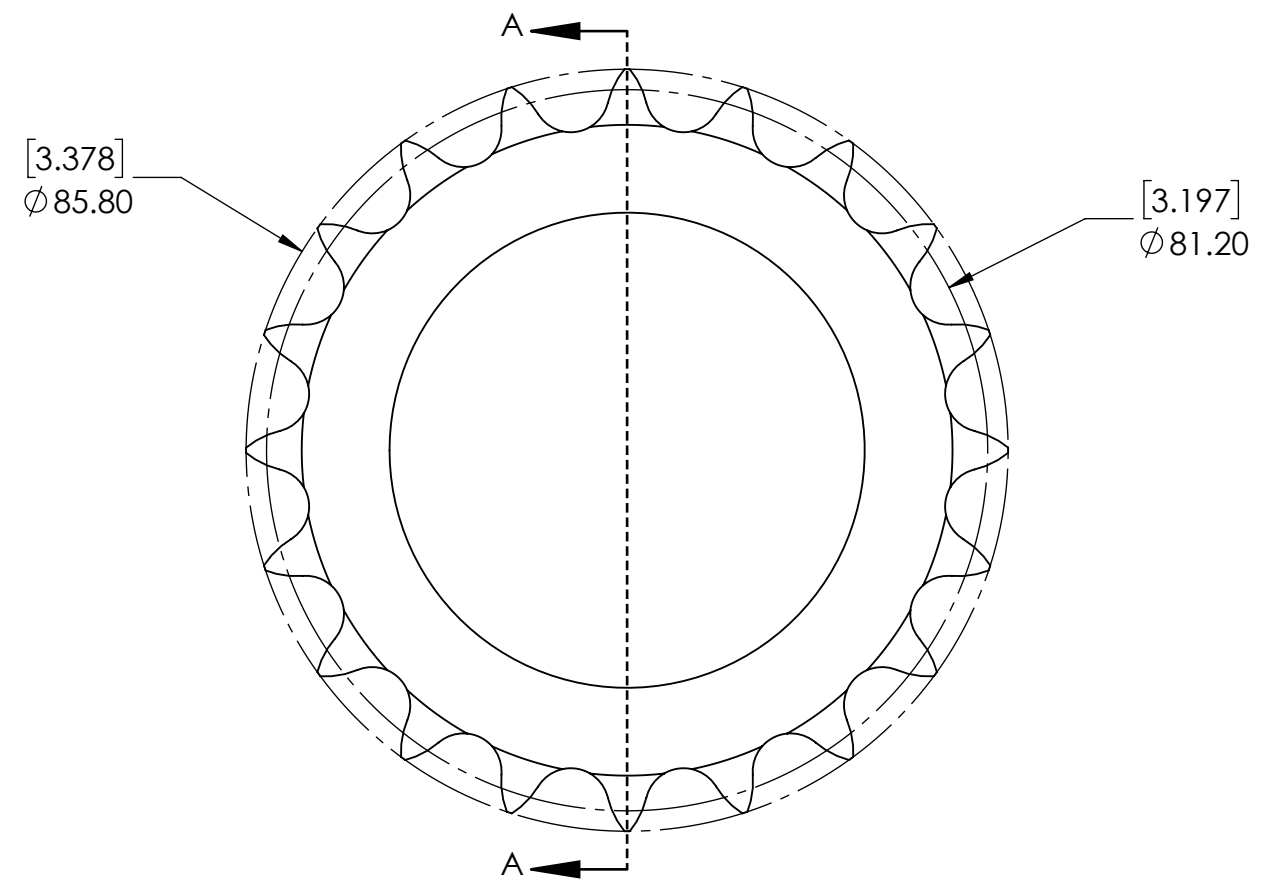


9 8 7 6 5 4 3 2 1

G F E D C B A



SECTION A-A

SPROCKETS SPECIFICATIONS		WEIGHT		DATE		BY		REVISION DESCRIPTION		REV
UNITS	mm (INCH)	0.71 LBS								
CHAIN SIZE	08B	STEEL								
PITCH	12.70 mm	BLACK OXIDE		SEC 07/30/2025						
INNER WIDTH	7.75 mm	DRAWN		EG 07/30/2025						
ROLLER DIA.	8.51 mm	CHECKED		EG 07/30/2025						
TOOTH WIDTH	7.10 mm	APPROVED								
NUMBER OF TEETH	20	THIRD ANGLE PROJECTION								
HUB STYLE	B	DATE								
BORE TYPE	FOR TAPER BUSHING	BY								
BUSHING NUMBER	1610	ITEM DESCRIPTION:								
		DWG. NO.		08B-2-20TL-1610						
		PROPRIETARY AND CONFIDENTIAL								
		THE INFORMATION CONTAINED IN THIS DRAWING IS THE SOLE PROPERTY OF SOLVE IMG. ANY REPRODUCTION IN PART OR AS A WHOLE WITHOUT THE WRITTEN PERMISSION OF SOLVE IMG IS PROHIBITED.								
		SCALE		1:1						
		REV		-						

A

9 8 7 6 5 4 3 2 1