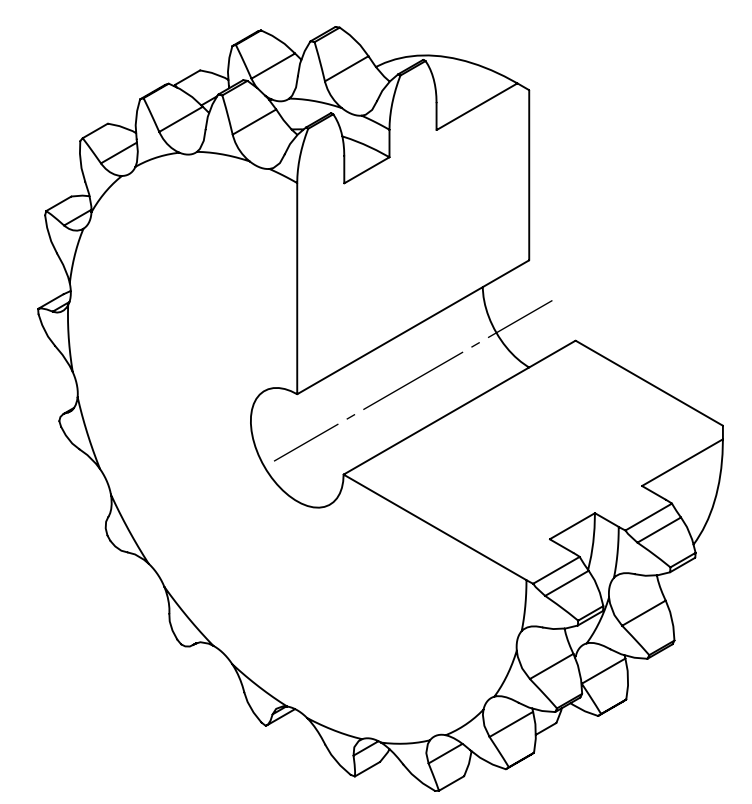
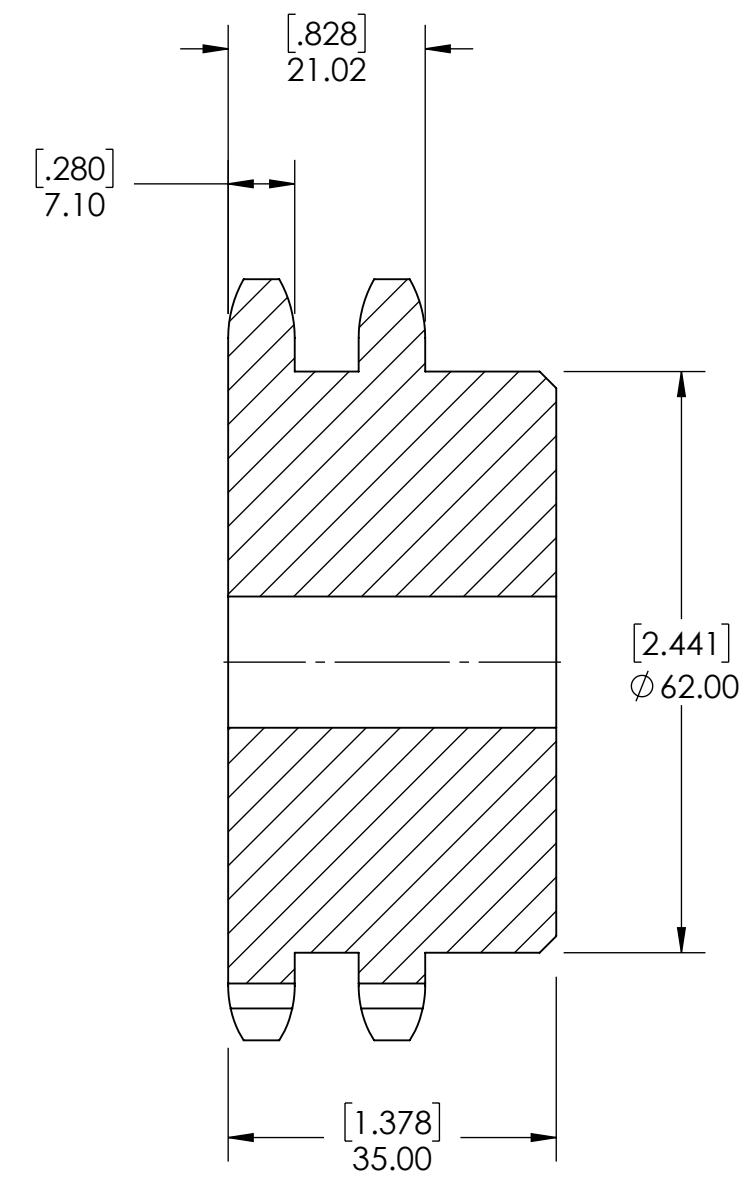
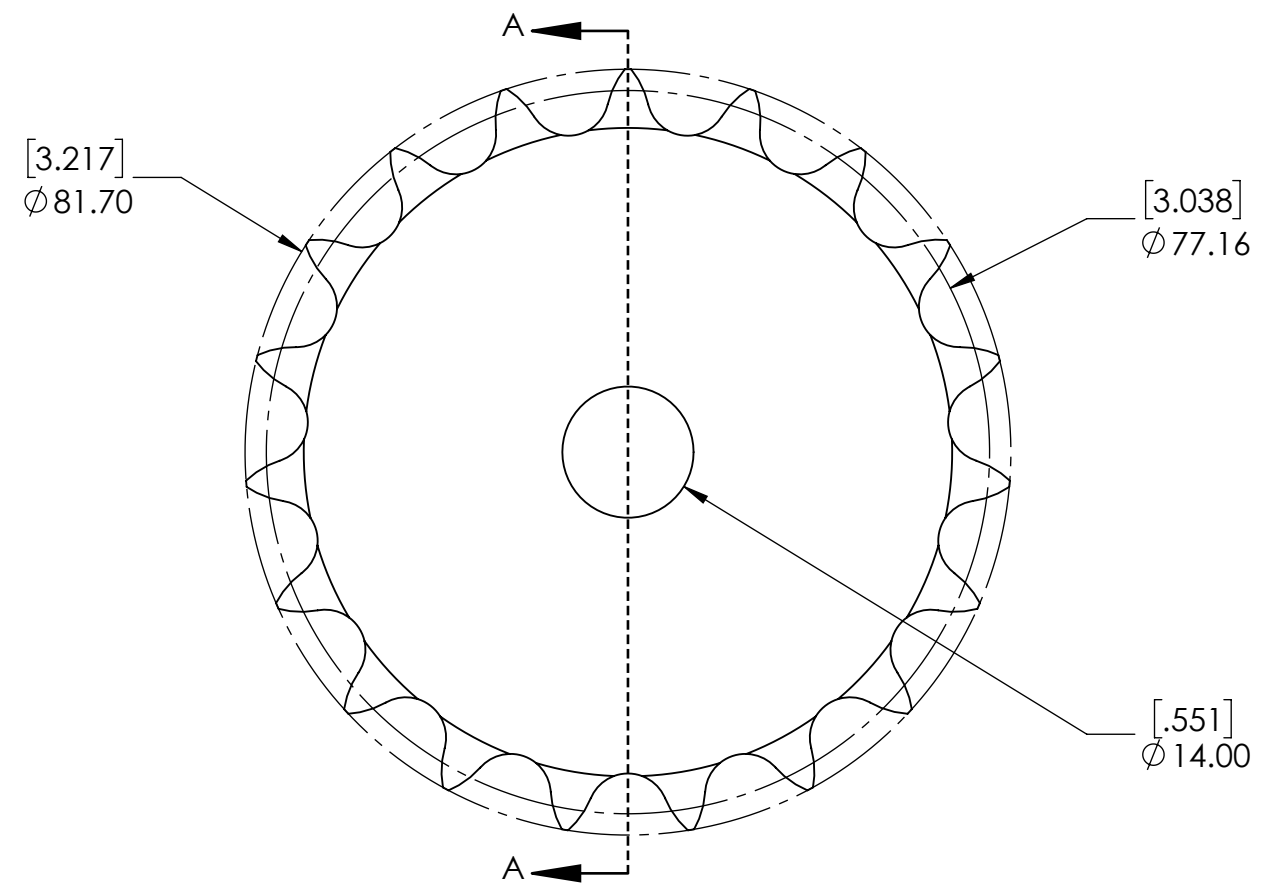


9 8 7 6 5 4 3 2 1

G F E D C B A



SECTION A-A

SPROCKETS SPECIFICATIONS		WEIGHT		2.02 LBS		
UNITS	mm (INCH)	MATERIAL	STEEL			
CHAIN SIZE	08B	COATING	BLACK OXIDE			
PITCH	12.70 mm	DRAWN	SEC	07/30/2025		
INNER WIDTH	7.75 mm	CHECKED	PT	08/06/2025		
ROLLER DIA.	8.51 mm	APPROVED				
TOOTH WIDTH	7.10 mm	DATE				BY
NUMBER OF TEETH	19			ITEM DESCRIPTION:		SCALE
HUB STYLE	B	DWG. NO.		08B-2-19B		1:1
BORE TYPE	PLAIN BORE	<b>PROPRIETARY AND CONFIDENTIAL</b> <small>THE INFORMATION CONTAINED IN THIS DRAWING IS THE SOLE PROPERTY OF SOLVE IMG. ANY REPRODUCTION IN PART OR AS A WHOLE WITHOUT THE WRITTEN PERMISSION OF SOLVE IMG IS PROHIBITED.</small>				REV
BUSHING NUMBER	N/A					-

9 8 7 6 5 4 3 2 1

A