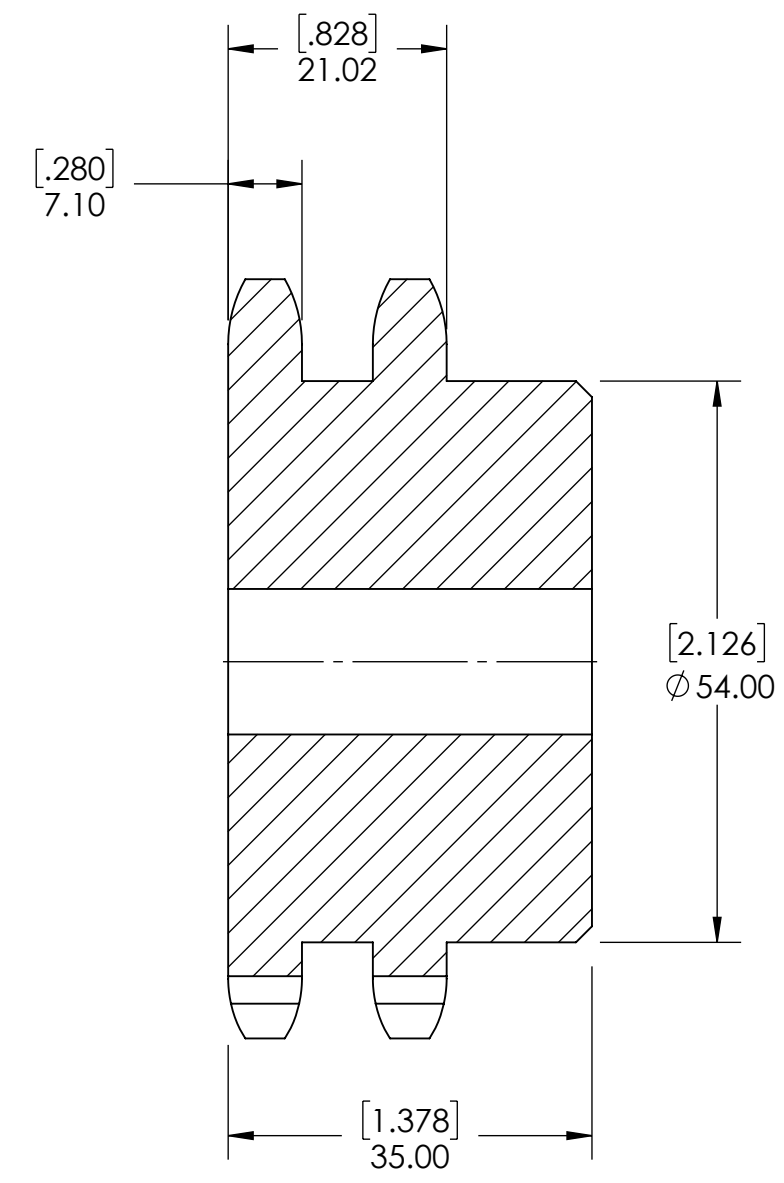
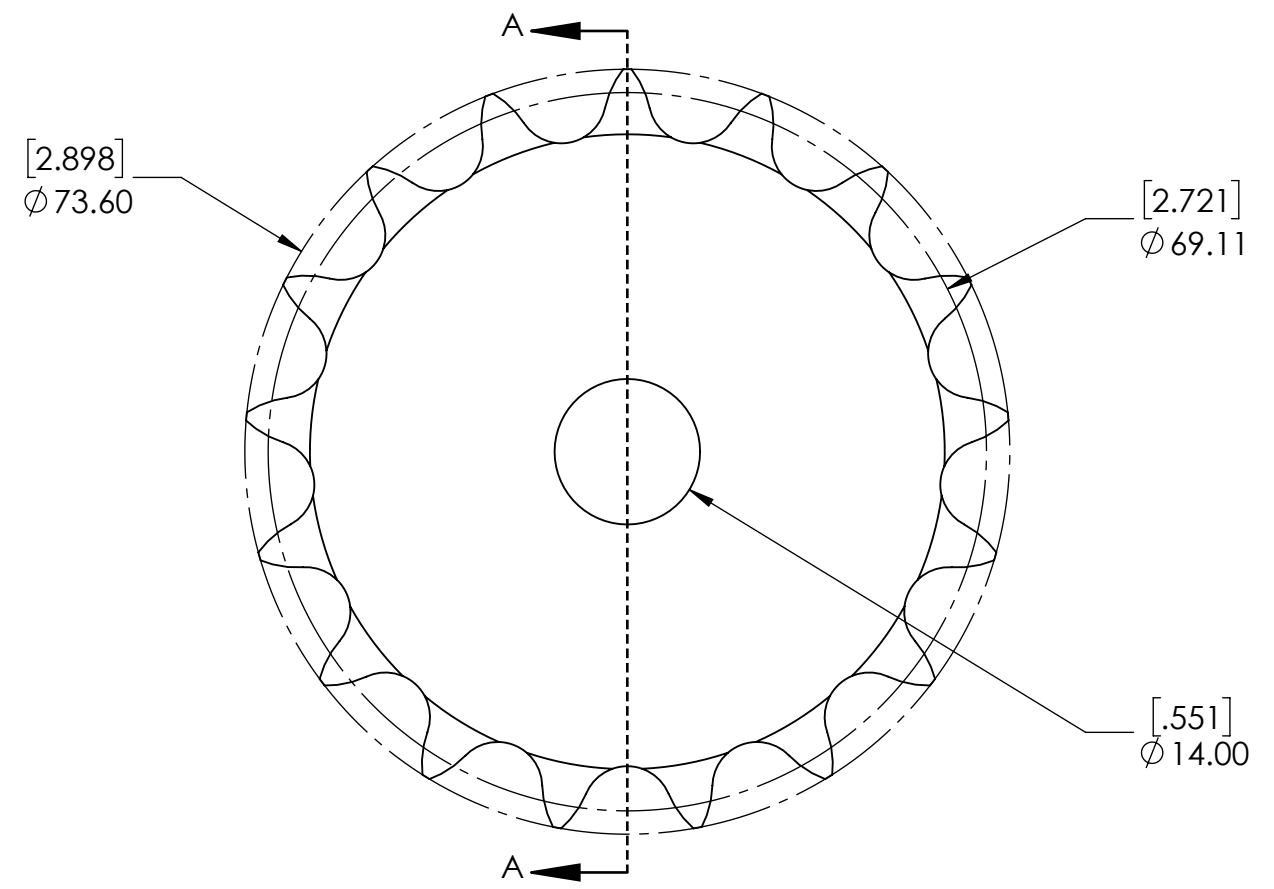
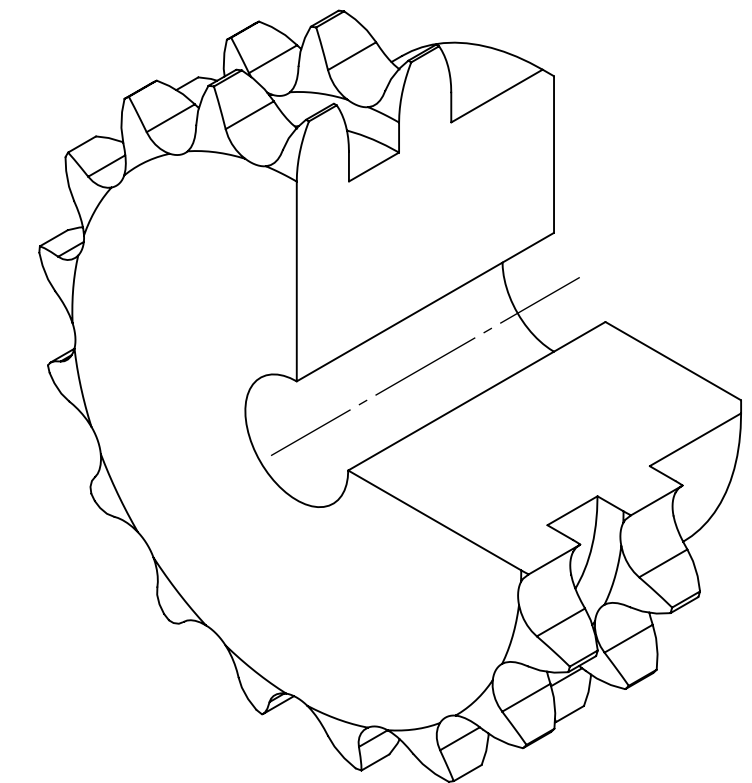


9 8 7 6 5 4 3 2 1

G F E D C B A



SECTION A-A



A B C D E F G

9 8 7 6 5 4 3 2 1

SPROCKETS SPECIFICATIONS		WEIGHT		1.54 LBS			
UNITS	mm (INCH)	MATERIAL	STEEL				
CHAIN SIZE	08B	COATING	BLACK OXIDE				
PITCH	12.70 mm	DRAWN	SEC	07/30/2025			
INNER WIDTH	7.75 mm	CHECKED	PT	08/06/2025			
ROLLER DIA.	8.51 mm	APPROVED					
TOOTH WIDTH	7.10 mm	DATE				BY	REVISION DESCRIPTION
NUMBER OF TEETH	17				ITEM DESCRIPTION:		SCALE
HUB STYLE	B				08B-2-17B		1:1
BORE TYPE	PLAIN BORE						REV
BUSHING NUMBER	N/A						-



DWG. NO. PROPRIETARY AND CONFIDENTIAL
THE INFORMATION CONTAINED IN THIS DRAWING IS THE SOLE PROPERTY OF SOLVE IMG. ANY REPRODUCTION IN PART OR AS A WHOLE WITHOUT THE WRITTEN PERMISSION OF SOLVE IMG IS PROHIBITED.