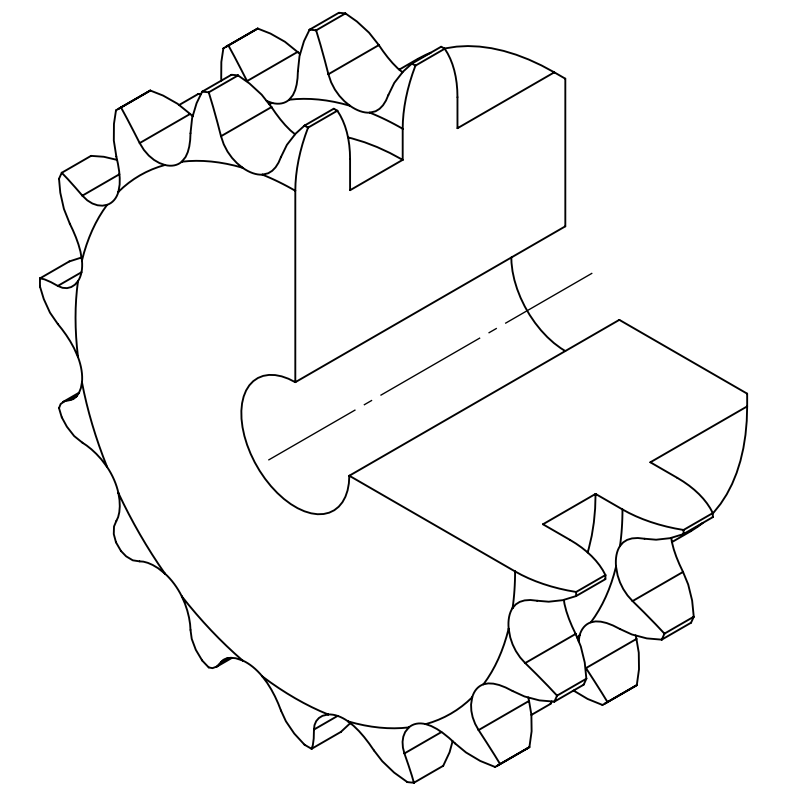
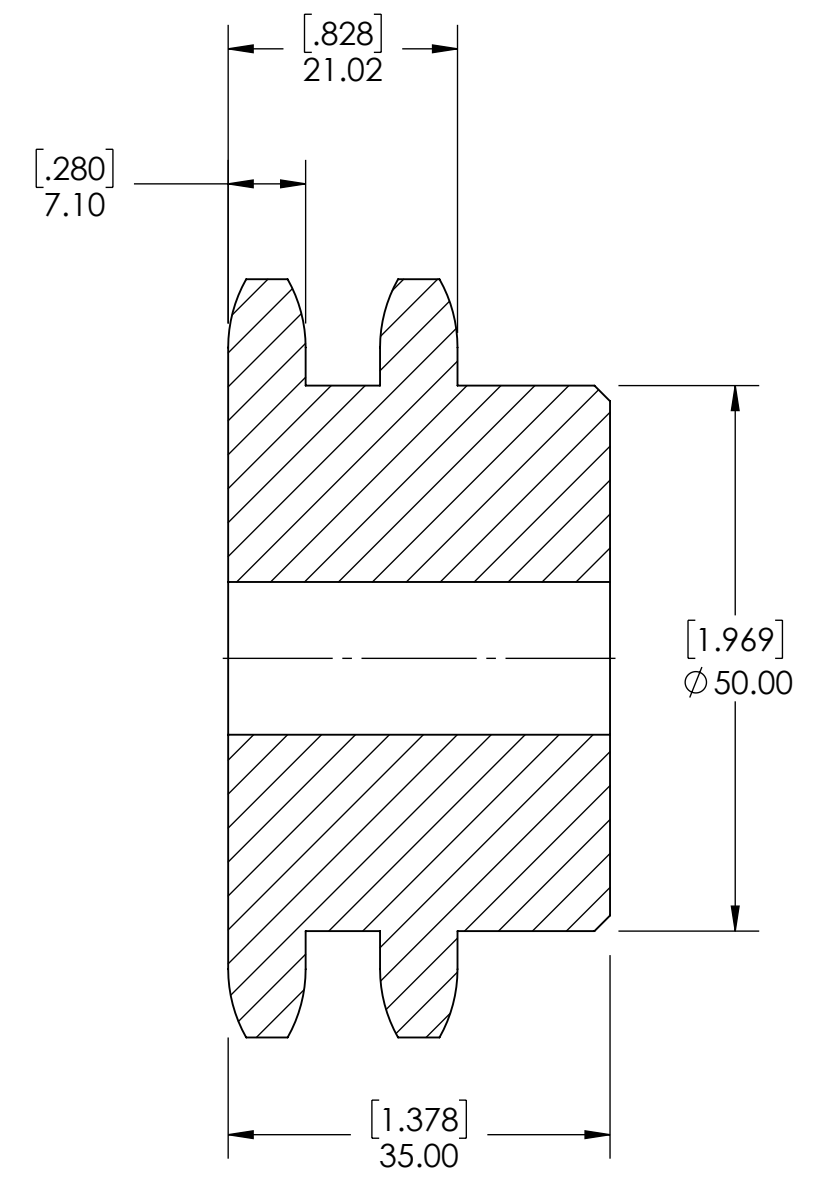
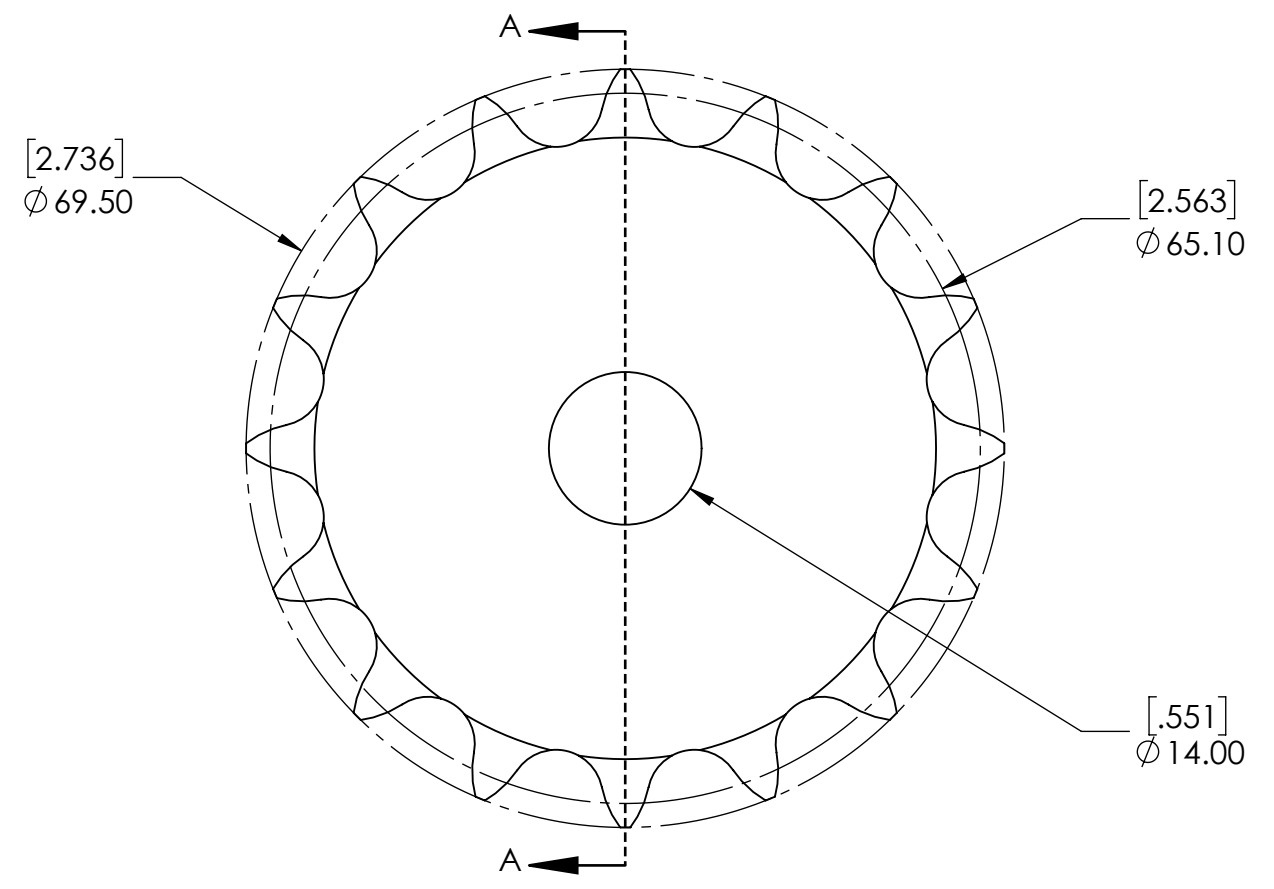


9 8 7 6 5 4 3 2 1

G F E D C B A



SECTION A-A

SPROCKETS SPECIFICATIONS		WEIGHT		1.33 LBS				
UNITS	mm (INCH)	MATERIAL	STEEL					
CHAIN SIZE	08B	COATING	BLACK OXIDE					
PITCH	12.70 mm	DRAWN	SEC	07/30/2025				
INNER WIDTH	7.75 mm	CHECKED	PT	08/06/2025				
ROLLER DIA.	8.51 mm	APPROVED						
TOOTH WIDTH	7.10 mm	DATE				BY	REVISION DESCRIPTION	REV
NUMBER OF TEETH	16	ITEM DESCRIPTION:			SCALE			
HUB STYLE	B	DWG. NO. 08B-2-16B			1:1			
BORE TYPE	PLAIN BORE				PROPRIETARY AND CONFIDENTIAL <small>THE INFORMATION CONTAINED IN THIS DRAWING IS THE SOLE PROPERTY OF SOLVE IMG. ANY REPRODUCTION IN PART OR AS A WHOLE WITHOUT THE WRITTEN PERMISSION OF SOLVE IMG IS PROHIBITED.</small>			REV
BUSHING NUMBER	N/A				-			

9 8 7 6 5 4 3 2 1

A B C D E F G