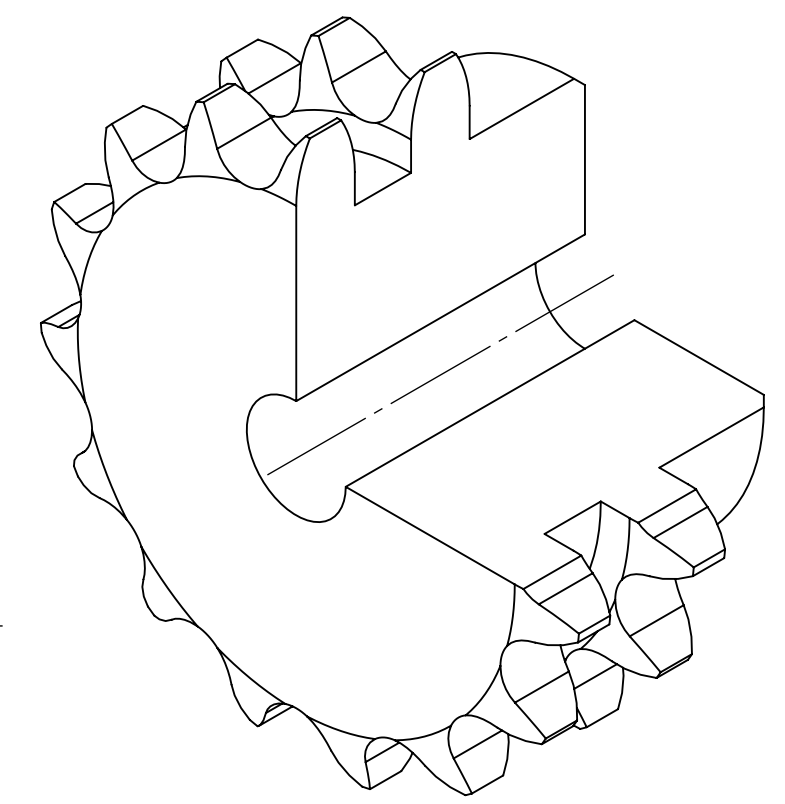
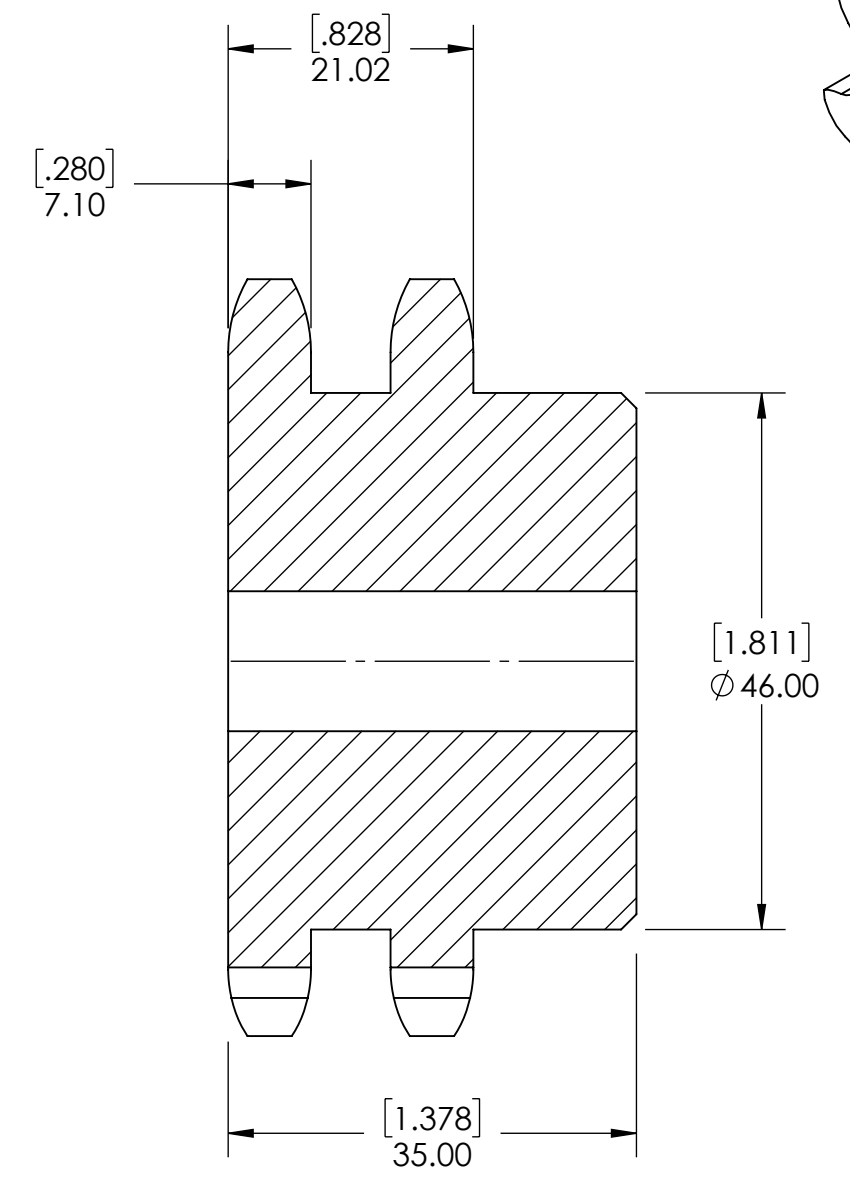
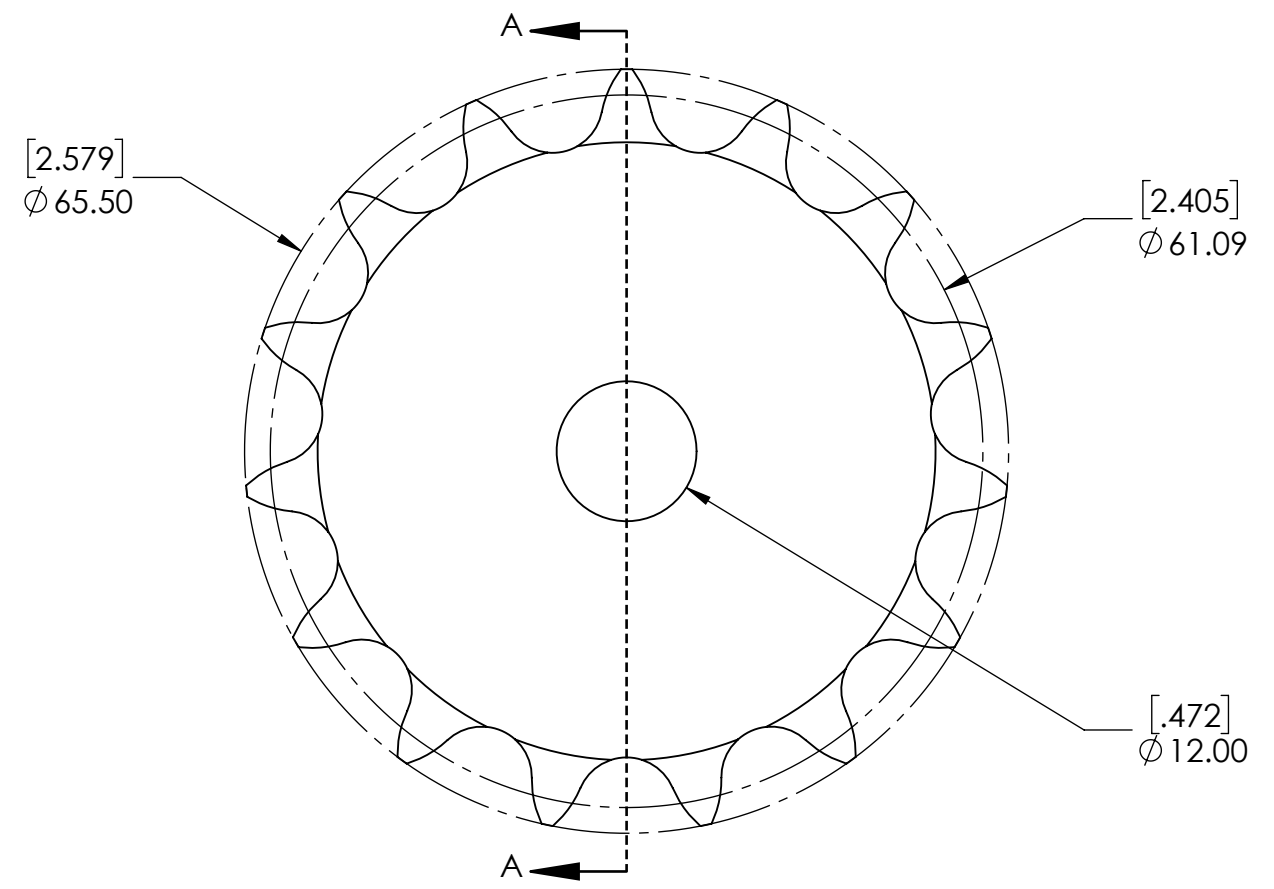


9 8 7 6 5 4 3 2 1

G F E D C B A



SECTION A-A

SPROCKETS SPECIFICATIONS		WEIGHT		1.15 LBS					
UNITS	mm (INCH)	MATERIAL	STEEL						
CHAIN SIZE	08B	COATING	BLACK OXIDE						
PITCH	12.70 mm	DRAWN	SEC	07/30/2025					
INNER WIDTH	7.75 mm	CHECKED	PT	08/06/2025					
ROLLER DIA.	8.51 mm	APPROVED							
TOOTH WIDTH	7.10 mm	DATE				BY	REVISION DESCRIPTION	REV	
NUMBER OF TEETH	15	SIZE		B		PTI		ITEM DESCRIPTION:	SCALE
HUB STYLE	B	DWG. NO.		PROPRIETARY AND CONFIDENTIAL		08B-2-15B		1:1	
BORE TYPE	PLAIN BORE			THE INFORMATION CONTAINED IN THIS DRAWING IS THE SOLE PROPERTY OF SOLVE IMG. ANY REPRODUCTION IN PART OR AS A WHOLE WITHOUT THE WRITTEN PERMISSION OF SOLVE IMG IS PROHIBITED.				REV	
BUSHING NUMBER	N/A							-	

9 8 7 6 5 4 3 2 1

A