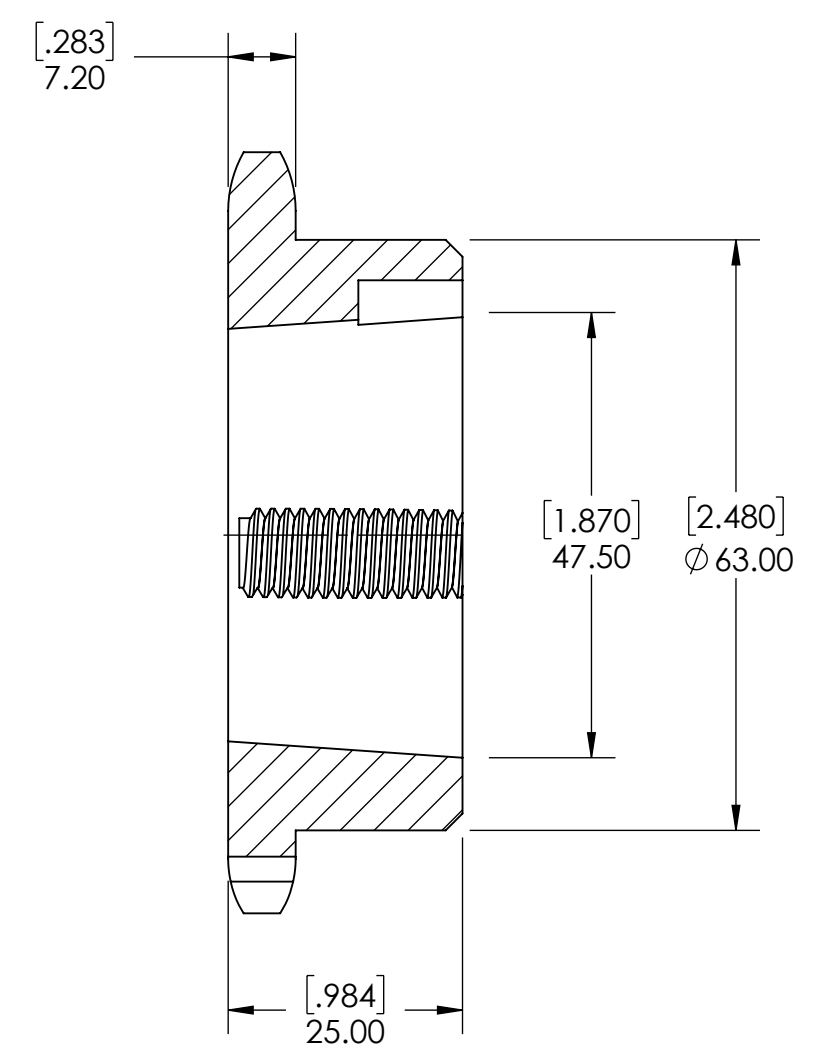
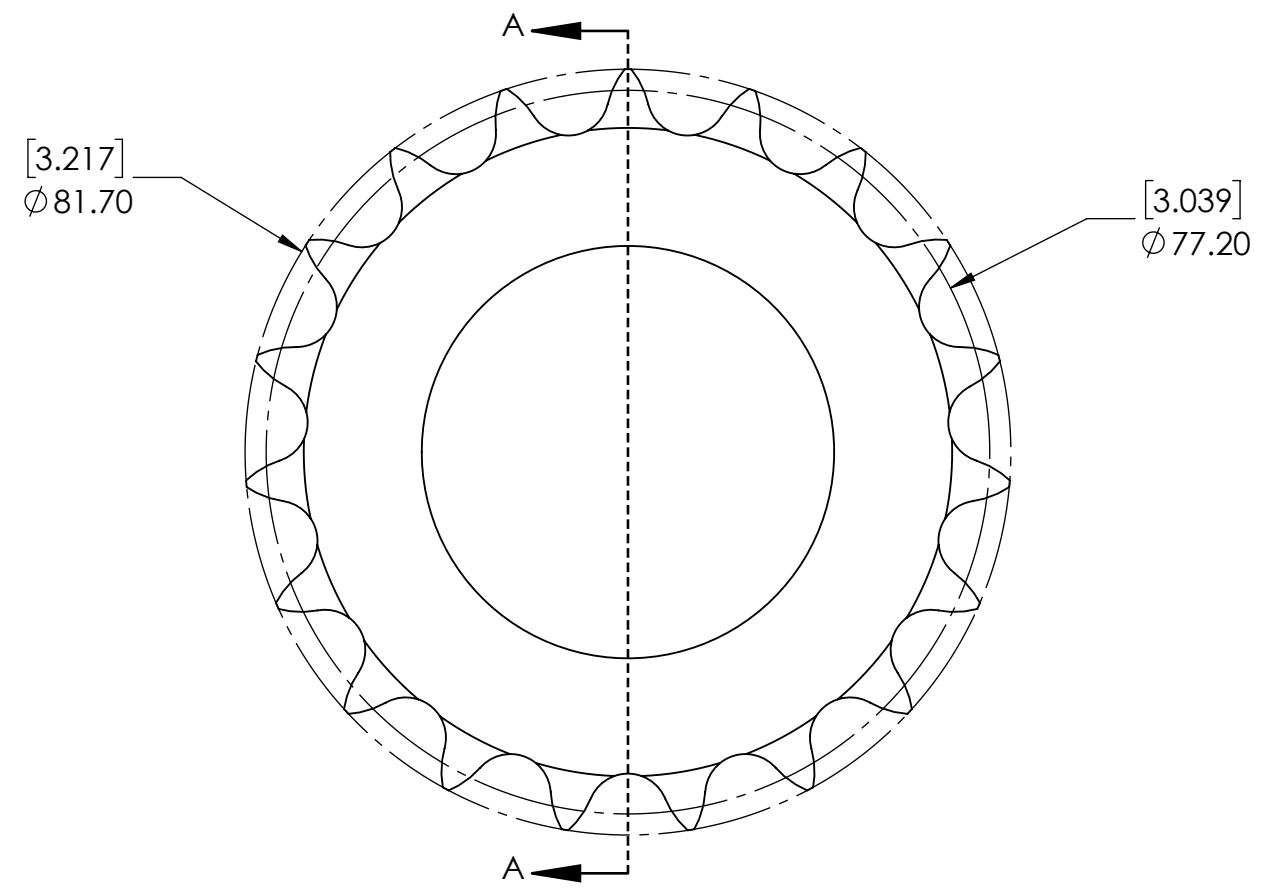


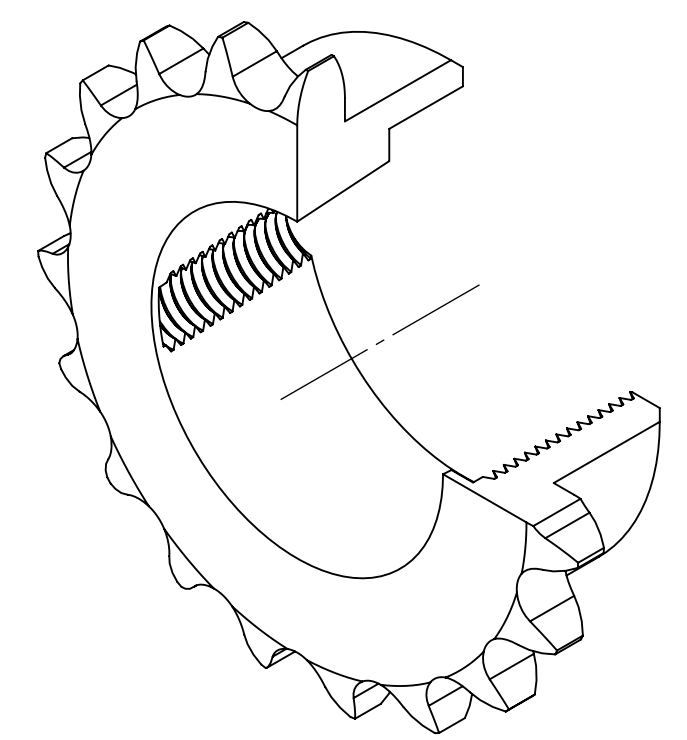
9 8 7 6 5 4 3 2 1

G
F
E
D
C
B
A

G
F
E
D
C
B
A



SECTION A-A



NOTES:
1. HARDENED TEETH.

SPROCKETS SPECIFICATIONS		WEIGHT		DATE		BY		REVISION DESCRIPTION		REV
UNITS	mm (INCH)	0.74 LBS								
CHAIN SIZE	08B	STEEL								
PITCH	12.70 mm	BLACK OXIDE		07/21/2025						
INNER WIDTH	7.75 mm	DRAWN		SEC						
ROLLER DIA.	8.51 mm	CHECKED		SEC		07/28/2025				
TOOTH WIDTH	7.20 mm	APPROVED								
NUMBER OF TEETH	19	THIRD ANGLE PROJECTION								
HUB STYLE	B	DWG. NO.								
BORE TYPE	FOR TAPER BUSHING	PROPRIETARY AND CONFIDENTIAL								
BUSHING NUMBER	1210	THE INFORMATION CONTAINED IN THIS DRAWING IS THE SOLE PROPERTY OF SOLVE IMG. ANY REPRODUCTION IN PART OR AS A WHOLE WITHOUT THE WRITTEN PERMISSION OF SOLVE IMG IS PROHIBITED.								
				ITEM DESCRIPTION:		08B-19HTL-1210				SCALE
										1:1
										REV
										-

9 8 7 6 5 4 3 2 1