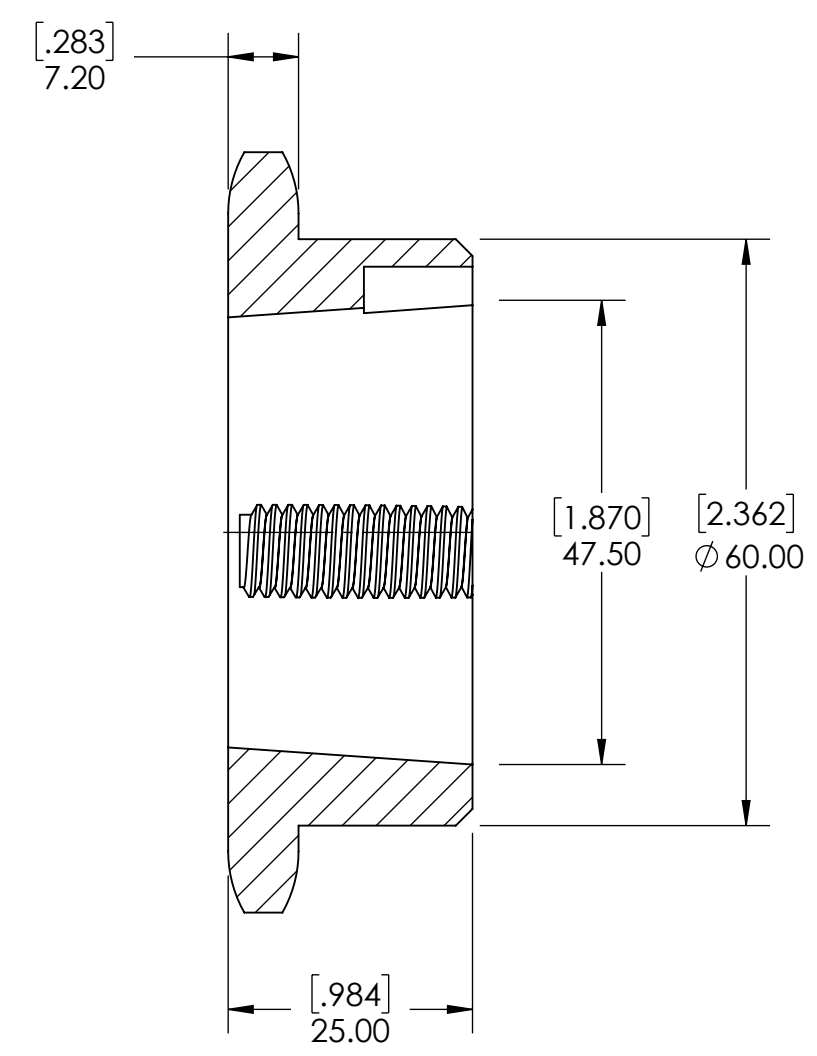
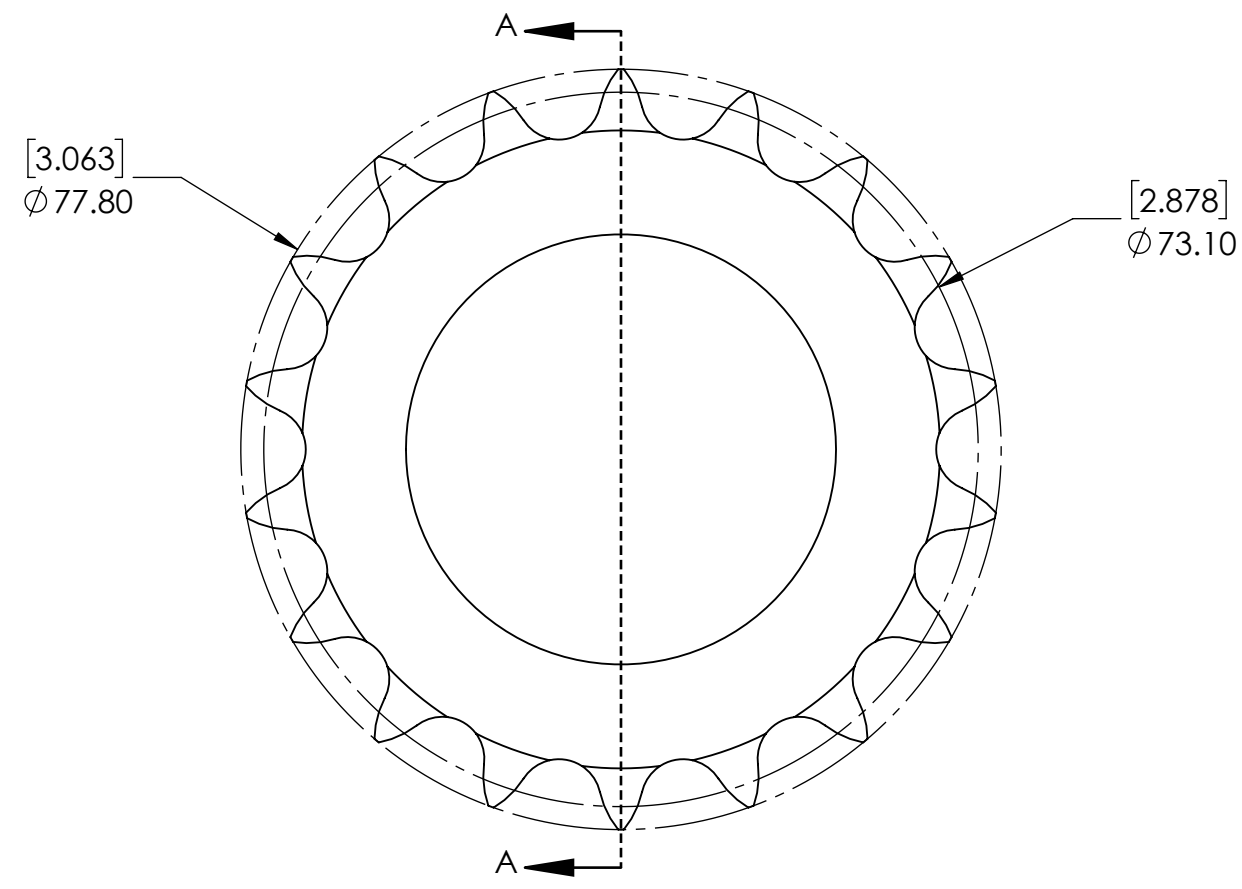


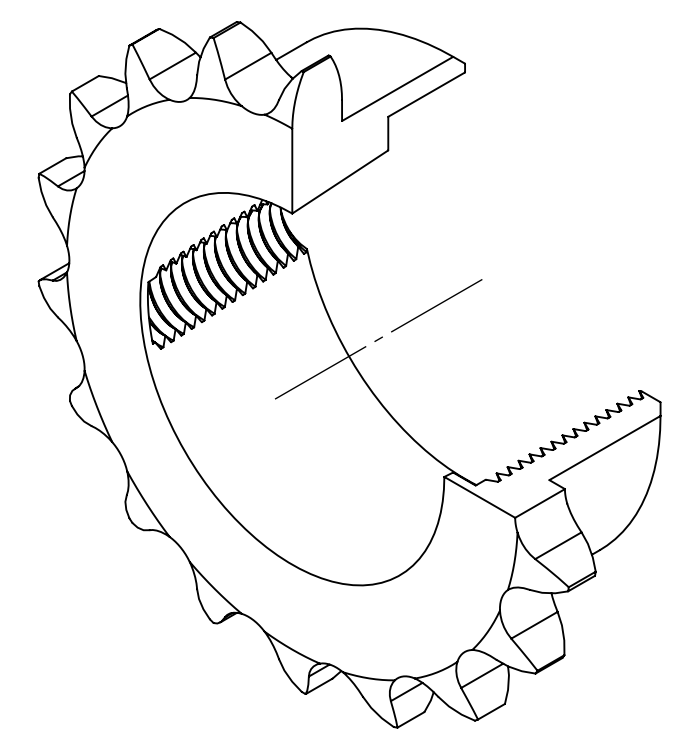
9 8 7 6 5 4 3 2 1

G  
F  
E  
D  
C  
B  
A

G  
F  
E  
D  
C  
B  
A



SECTION A-A



SPROCKETS SPECIFICATIONS		WEIGHT		DATE		BY		REVISION DESCRIPTION		REV
UNITS	mm (INCH)	0.59 LBS								SCALE
CHAIN SIZE	08B	STEEL								1:1
PITCH	12.70 mm	BLACK OXIDE		07/21/2025						REV
INNER WIDTH	7.75 mm	DRAWN		SEC						-
ROLLER DIA.	8.51 mm	CHECKED		SEC						
TOOTH WIDTH	7.20 mm	APPROVED								
NUMBER OF TEETH	18	THIRD ANGLE PROJECTION								
HUB STYLE	B	DWG. NO.								
BORE TYPE	FOR TAPER BUSHING	PROPRIETARY AND CONFIDENTIAL								
BUSHING NUMBER	1210	THE INFORMATION CONTAINED IN THIS DRAWING IS THE SOLE PROPERTY OF SOLVE IMG. ANY REPRODUCTION IN PART OR AS A WHOLE WITHOUT THE WRITTEN PERMISSION OF SOLVE IMG IS PROHIBITED.								
		ITEM DESCRIPTION:								
		08B-18TL-1210								

9 8 7 6 5 4 3 2 1