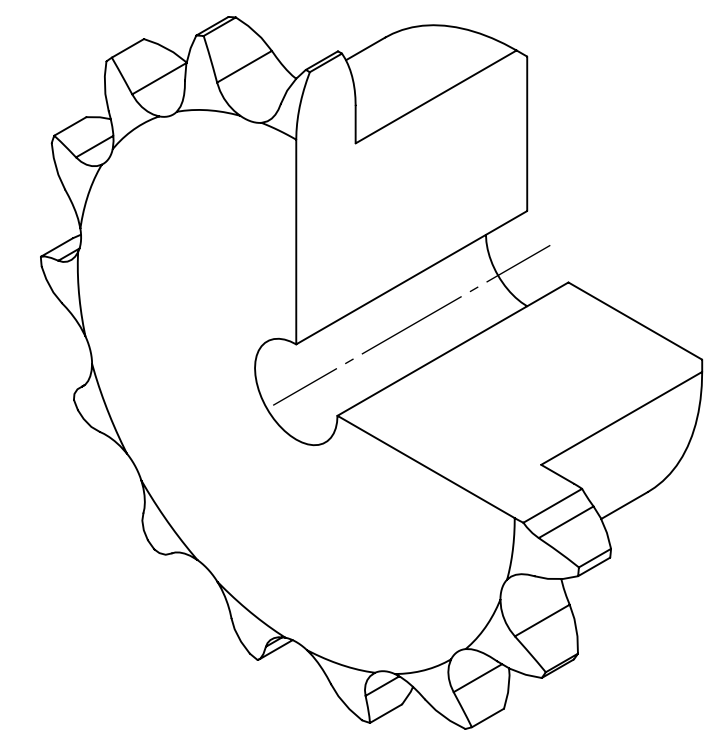
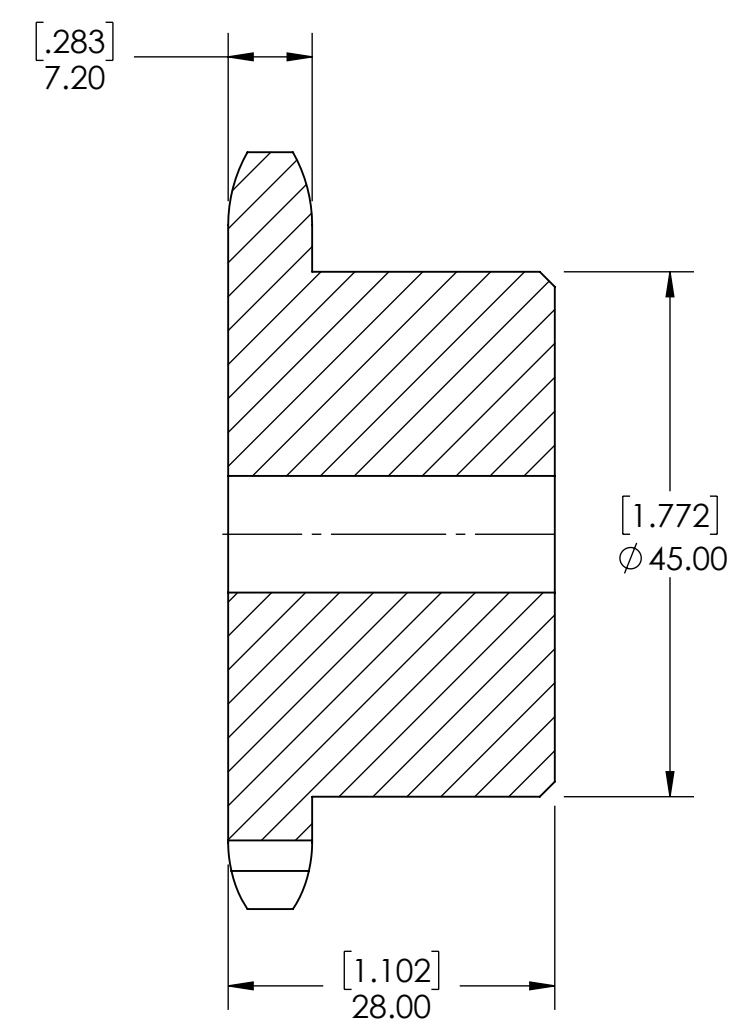
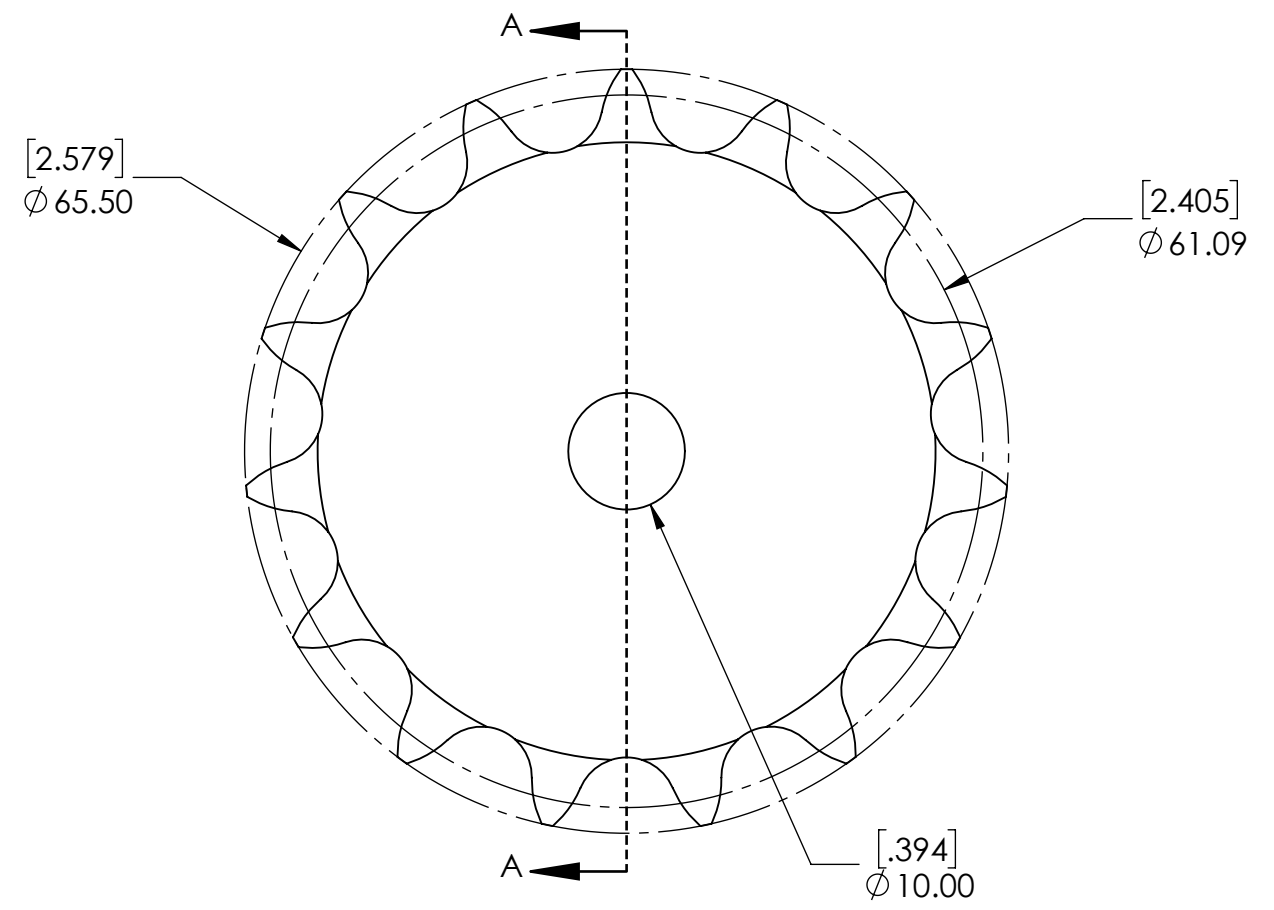


9 8 7 6 5 4 3 2 1

G
F
E
D
C
B
A

G
F
E
D
C
B
A



SECTION A-A

NOTES:
1. HARDENED TEETH.

| SPROCKETS SPECIFICATIONS | | WEIGHT | | 0.85 LBS | |
|--------------------------|------------|--|-------------|----------------------|-----|
| UNITS | mm (INCH) | MATERIAL | STEEL | | |
| CHAIN SIZE | 08B | COATING | BLACK OXIDE | | |
| PITCH | 12.70 mm | DRAWN | SEC | 07/21/2025 | |
| INNER WIDTH | 7.75 mm | CHECKED | | | |
| ROLLER DIA. | 8.51 mm | APPROVED | | | |
| TOOTH WIDTH | 7.20 mm | THIRD ANGLE PROJECTION | | | |
| NUMBER OF TEETH | 15 | DATE | BY | REVISION DESCRIPTION | |
| HUB STYLE | B | | | | |
| BORE TYPE | PLAIN BORE | DWG. NO. | | ITEM DESCRIPTION: | |
| BUSHING NUMBER | N/A | PTI | | 08B-15BH | |
| | | PROPRIETARY AND CONFIDENTIAL | | SCALE | REV |
| | | THE INFORMATION CONTAINED IN THIS DRAWING IS THE SOLE PROPERTY OF SOLVE IMG. ANY REPRODUCTION IN PART OR AS A WHOLE WITHOUT THE WRITTEN PERMISSION OF SOLVE IMG IS PROHIBITED. | | 1:1 | - |

9 8 7 6 5 4 3 2 1