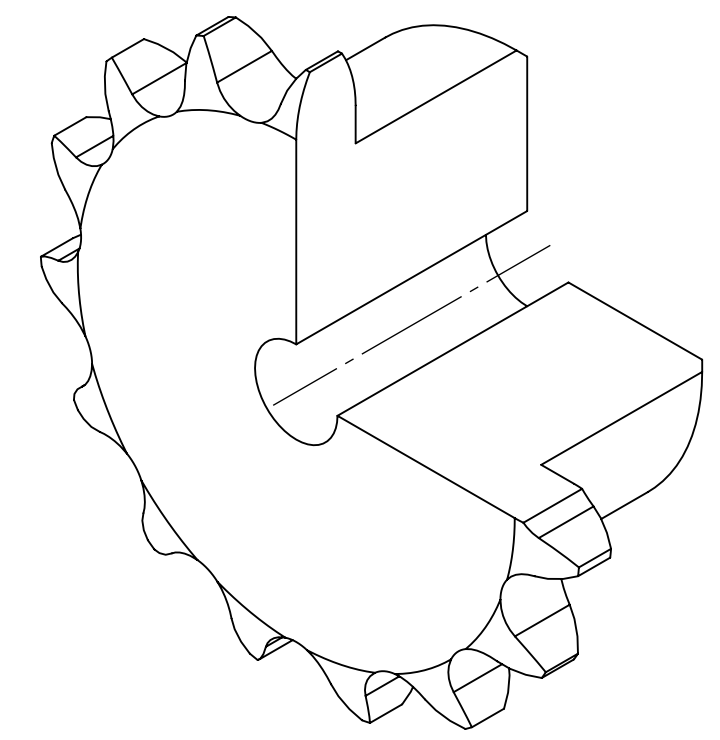
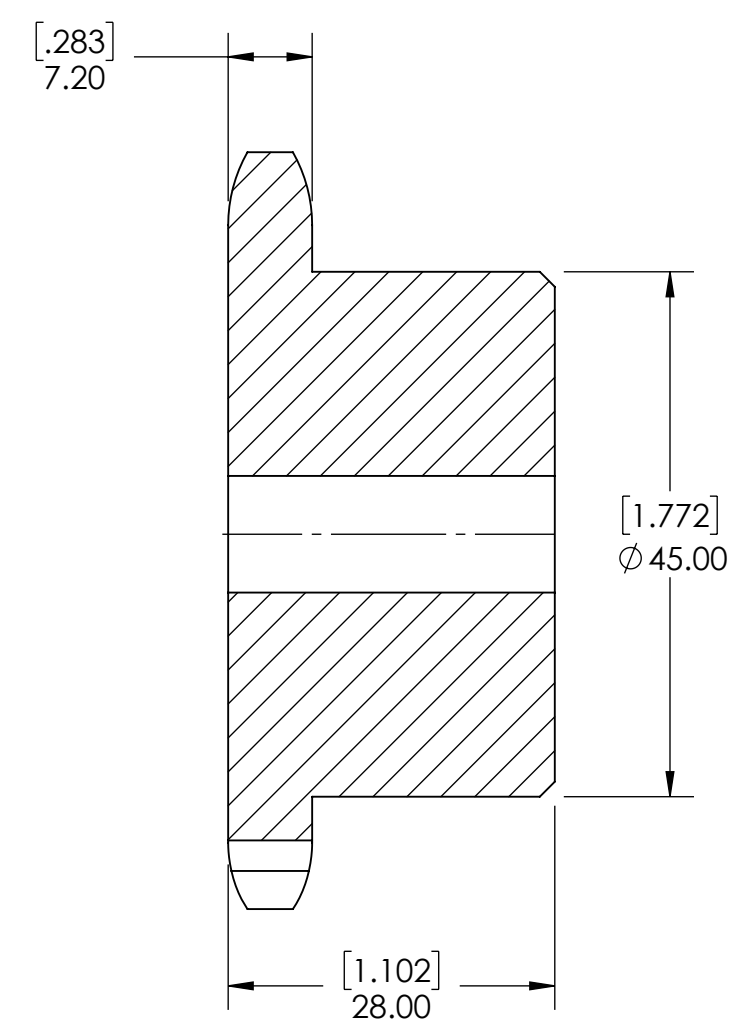
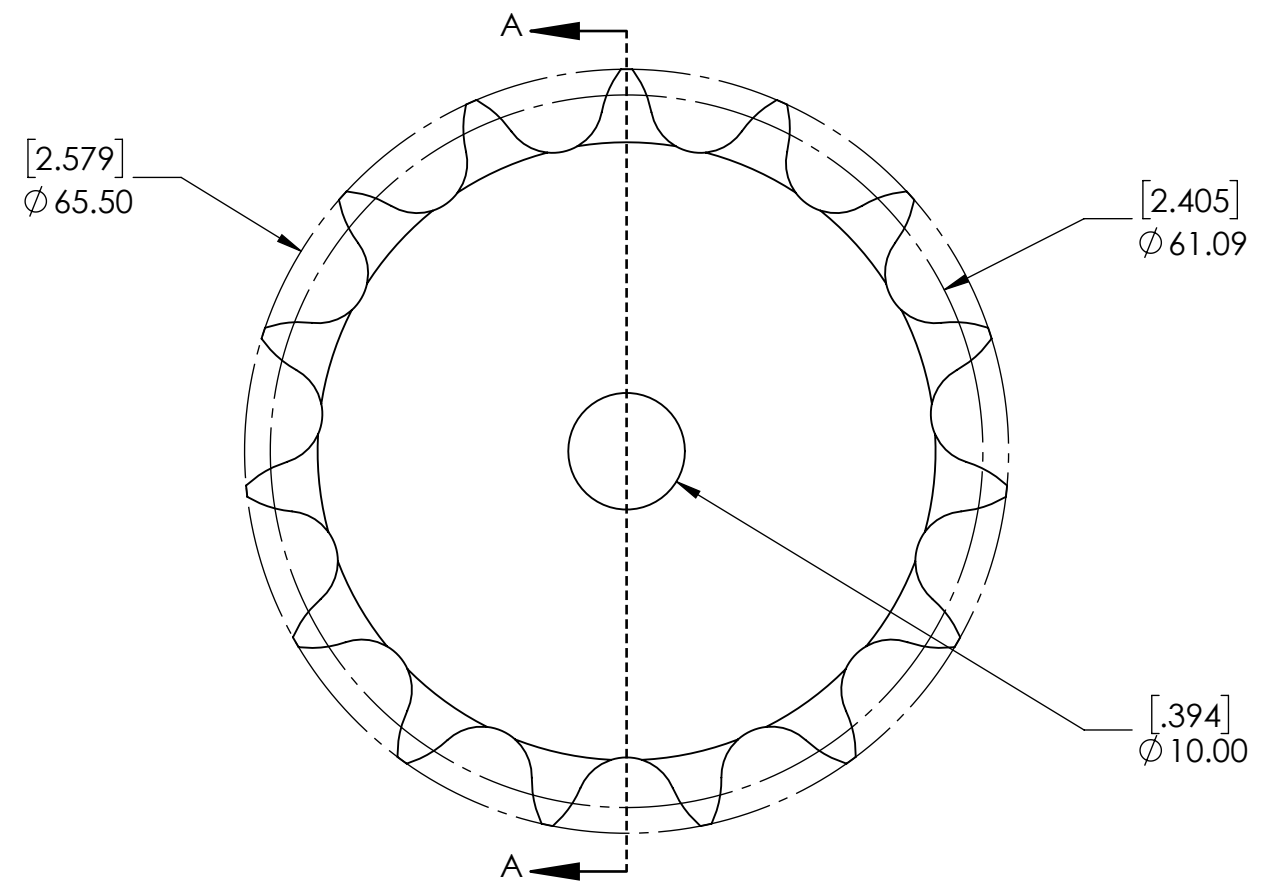


9 8 7 6 5 4 3 2 1

G F E D C B A



SECTION A-A

SPROCKETS SPECIFICATIONS		WEIGHT		0.85 LBS	
UNITS	mm (INCH)	MATERIAL	STEEL		
CHAIN SIZE	08B	COATING	BLACK OXIDE		
PITCH	12.70 mm	DRAWN	SEC	07/21/2025	
INNER WIDTH	7.75 mm	CHECKED			
ROLLER DIA.	8.51 mm	APPROVED			
TOOTH WIDTH	7.20 mm	THIRD ANGLE PROJECTION			
NUMBER OF TEETH	15	DATE	BY	REVISION DESCRIPTION	
HUB STYLE	B				
BORE TYPE	PLAIN BORE				
BUSHING NUMBER	N/A				
		DWG. NO.		ITEM DESCRIPTION:	
		INDUSTRIAL MOTION GROUP 		08B-15B	
		<small>PROPRIETARY AND CONFIDENTIAL</small> <small>THE INFORMATION CONTAINED IN THIS DRAWING IS THE SOLE PROPERTY OF SOLVE IMG. ANY REPRODUCTION IN PART OR AS A WHOLE WITHOUT THE WRITTEN PERMISSION OF SOLVE IMG IS PROHIBITED.</small>		SCALE 1:1	
				REV -	

9 8 7 6 5 4 3 2 1

A B C D E F G