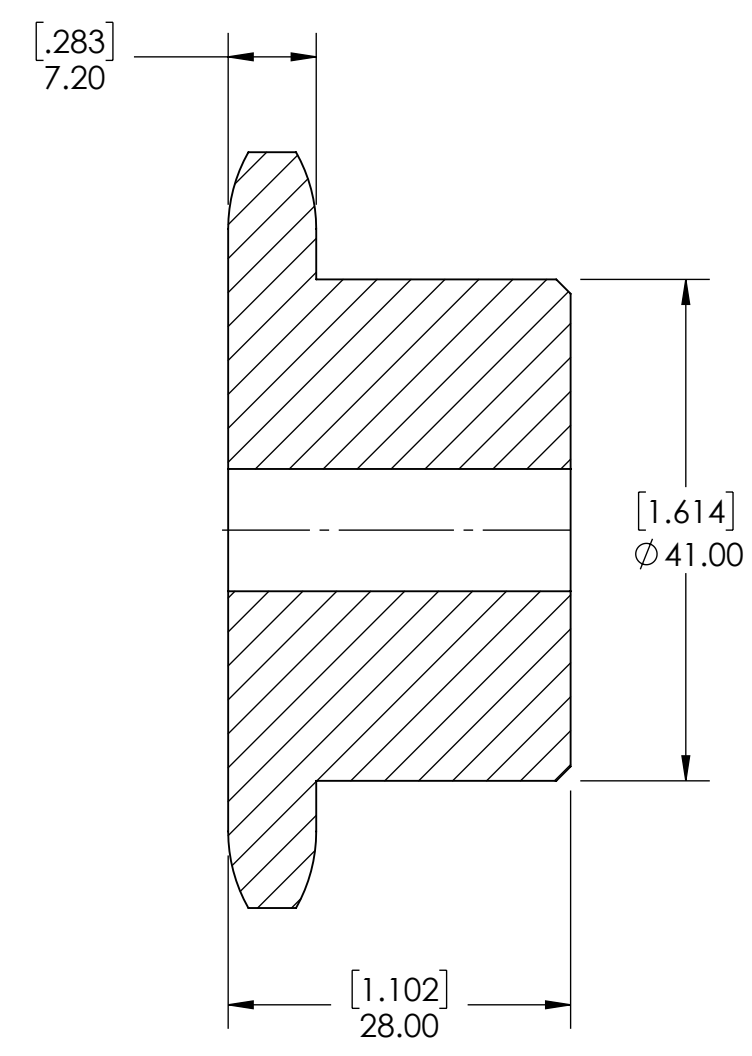
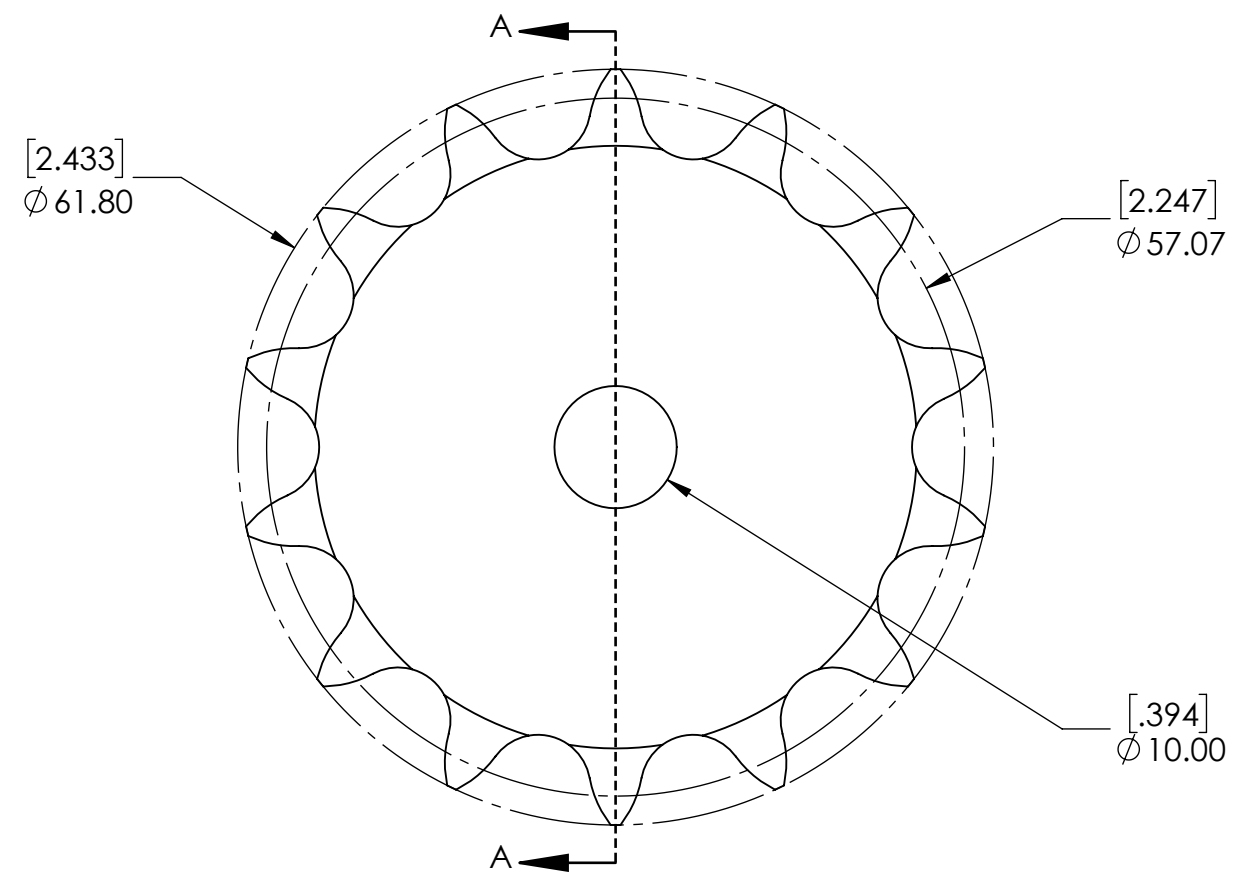


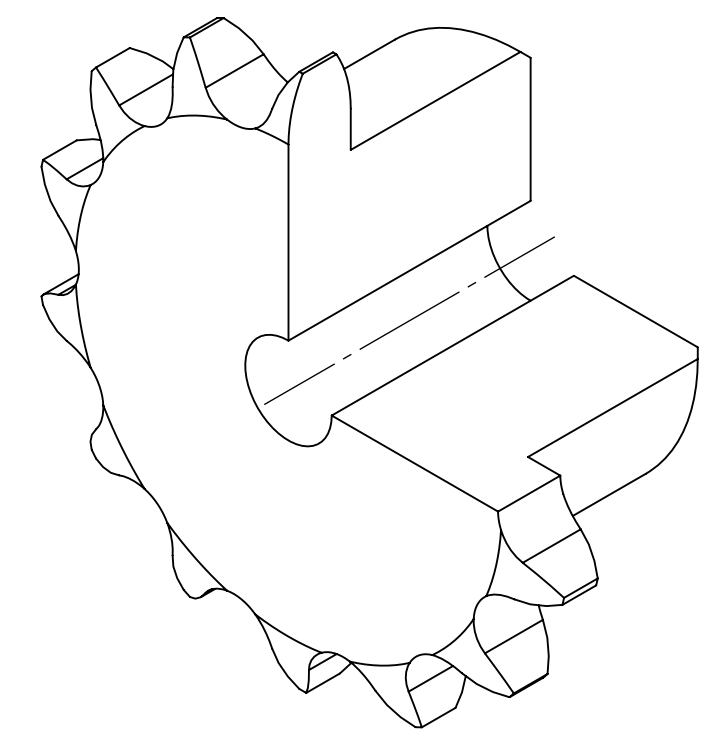
9 8 7 6 5 4 3 2 1

G
F
E
D
C
B
A

G
F
E
D
C
B
A



SECTION A-A



SPROCKETS SPECIFICATIONS		WEIGHT		0.72 LBS		
UNITS	mm (INCH)	MATERIAL	STAINLESS STEEL			
CHAIN SIZE	08B	COATING	N/A			
PITCH	12.70 mm	DRAWN	SEC	07/21/2025		
INNER WIDTH	7.75 mm	CHECKED	PT	07/24/2025		
ROLLER DIA.	8.51 mm	APPROVED				
TOOTH WIDTH	7.20 mm	DATE				BY
NUMBER OF TEETH	14	ITEM DESCRIPTION:		08B-14BSS		SCALE
HUB STYLE	B	DWG. NO.		08B-14BSS		1:1
BORE TYPE	PLAIN BORE	PROPRIETARY AND CONFIDENTIAL		REV		-
BORE NUMBER	N/A	<small>THE INFORMATION CONTAINED IN THIS DRAWING IS THE SOLE PROPERTY OF SOLVE IMG. ANY REPRODUCTION IN PART OR AS A WHOLE WITHOUT THE WRITTEN PERMISSION OF SOLVE IMG IS PROHIBITED.</small>				

9 8 7 6 5 4 3 2 1