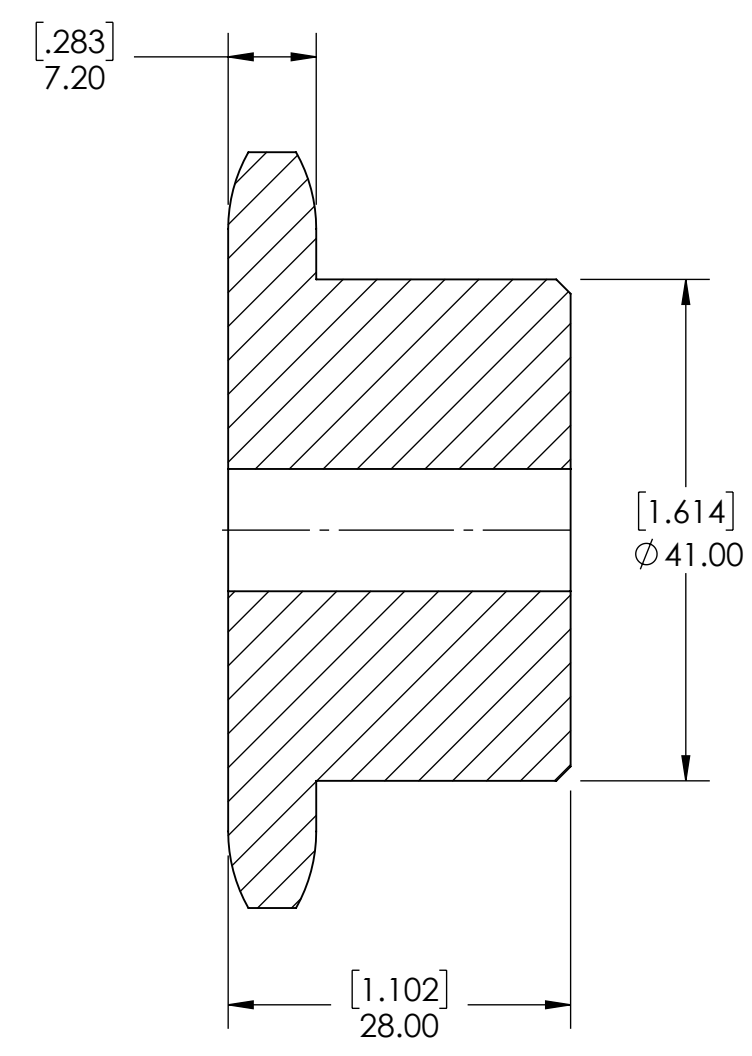
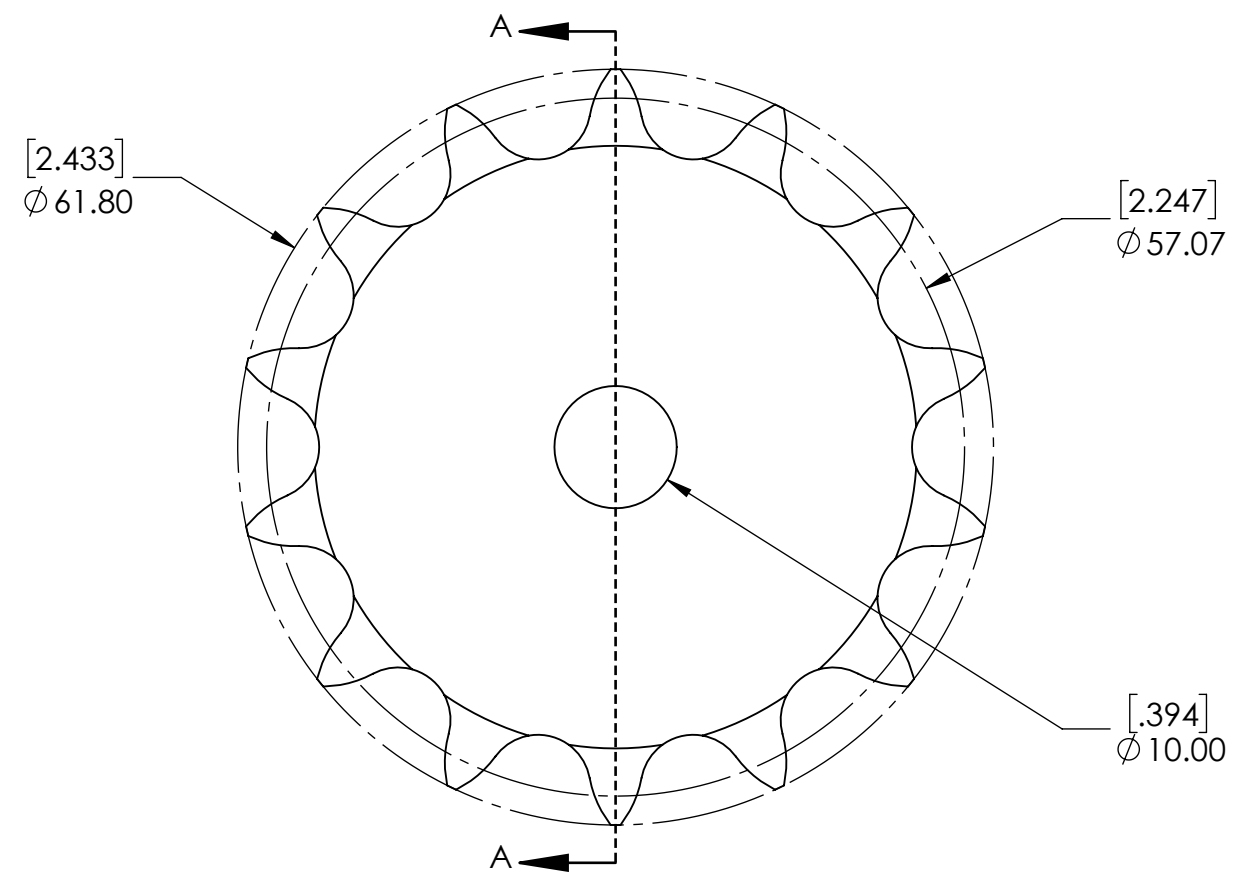


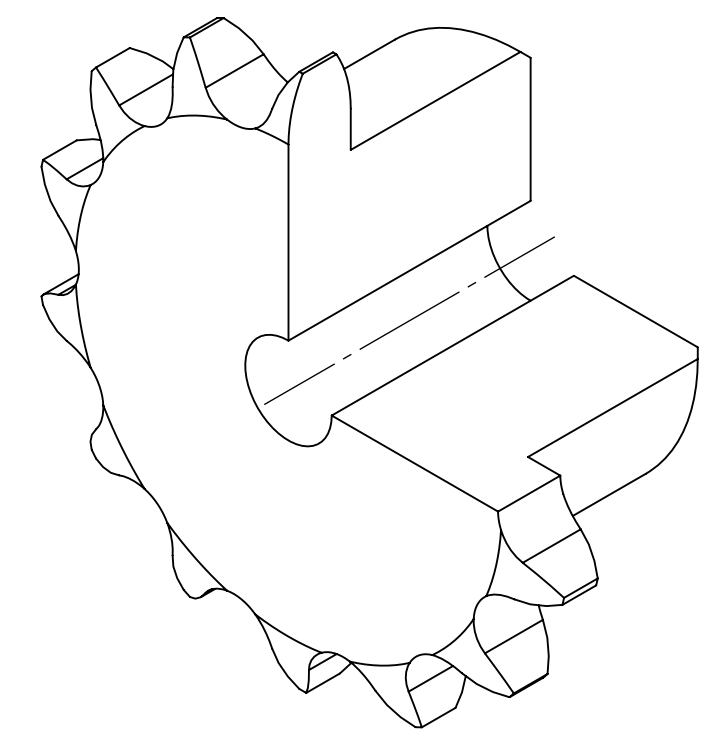
9 8 7 6 5 4 3 2 1

G
F
E
D
C
B
A

G
F
E
D
C
B
A



SECTION A-A



SPROCKETS SPECIFICATIONS		SOLVE		WEIGHT		0.71 LBS				
UNITS	mm (INCH)	INDUSTRIAL MOTION GROUP		MATERIAL	STEEL					
CHAIN SIZE	08B			COATING	BLACK OXIDE					
PITCH	12.70 mm	SIZE	PTI	DRAWN	SEC	07/21/2025				
INNER WIDTH	7.75 mm			CHECKED	PT	07/25/2025				
ROLLER DIA.	8.51 mm	DWG. NO.		APPROVED	DATE		BY	REVISION DESCRIPTION		REV
TOOTH WIDTH	7.20 mm			BUSHING NUMBER			N/A			ITEM DESCRIPTION:
NUMBER OF TEETH	14	08B-14B		THIRD ANGLE PROJECTION		DATE		BY		REV
HUB STYLE	B	DWG. NO.		PROPRIETARY AND CONFIDENTIAL		DATE		BY		REV
BORE TYPE	PLAIN BORE	08B-14B		THE INFORMATION CONTAINED IN THIS DRAWING IS THE SOLE PROPERTY OF SOLVE IMG. ANY REPRODUCTION IN PART OR AS A WHOLE WITHOUT THE WRITTEN PERMISSION OF SOLVE IMG IS PROHIBITED.		DATE		BY		REV
BUSHING NUMBER	N/A	08B-14B		THE INFORMATION CONTAINED IN THIS DRAWING IS THE SOLE PROPERTY OF SOLVE IMG. ANY REPRODUCTION IN PART OR AS A WHOLE WITHOUT THE WRITTEN PERMISSION OF SOLVE IMG IS PROHIBITED.		DATE		BY		REV

9 8 7 6 5 4 3 2 1