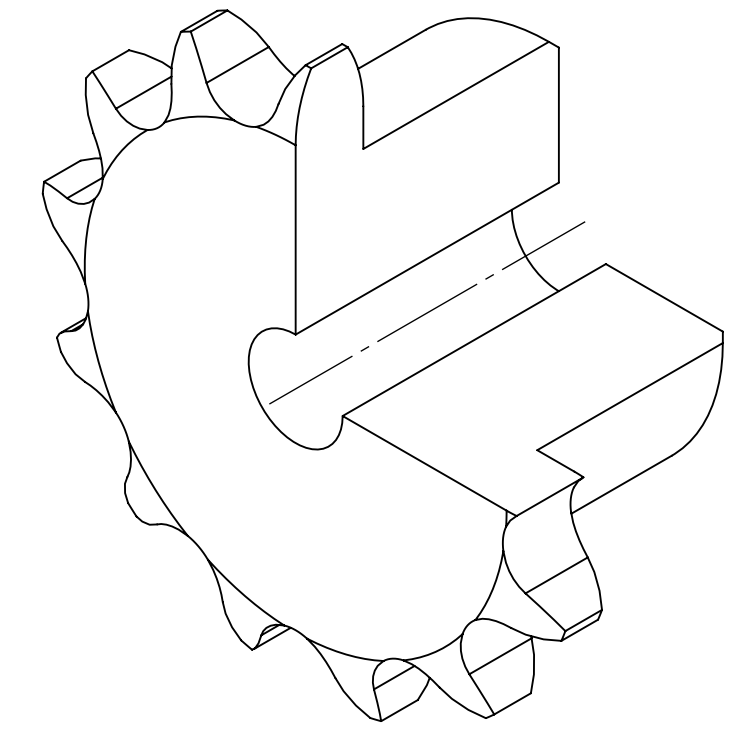
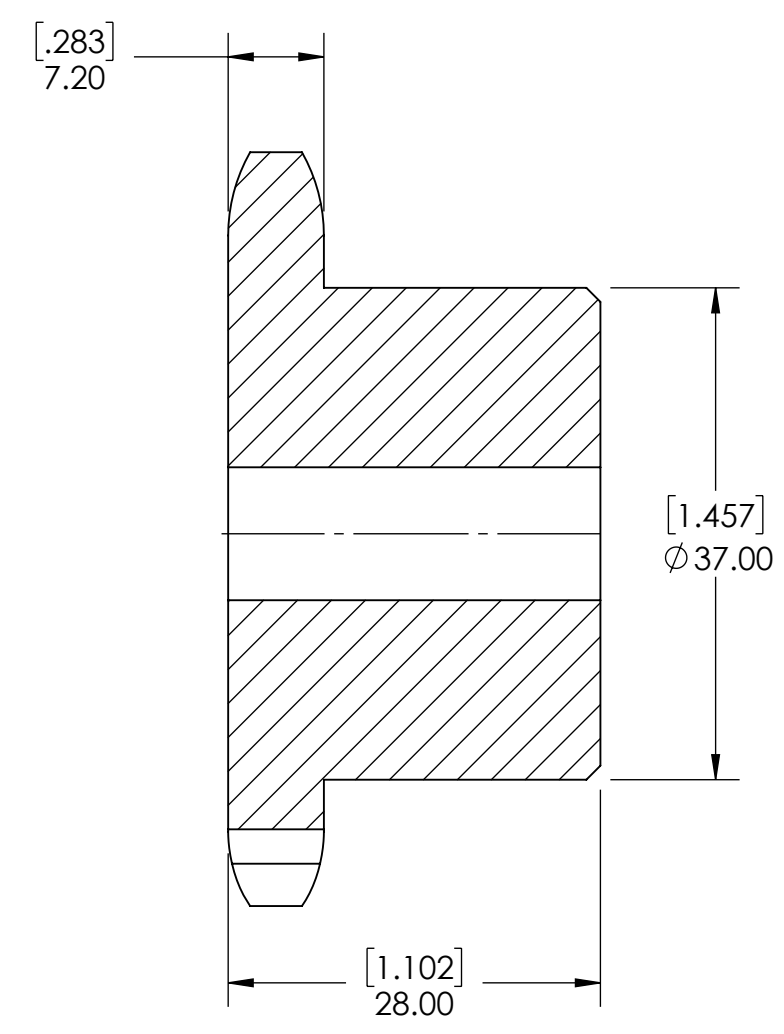
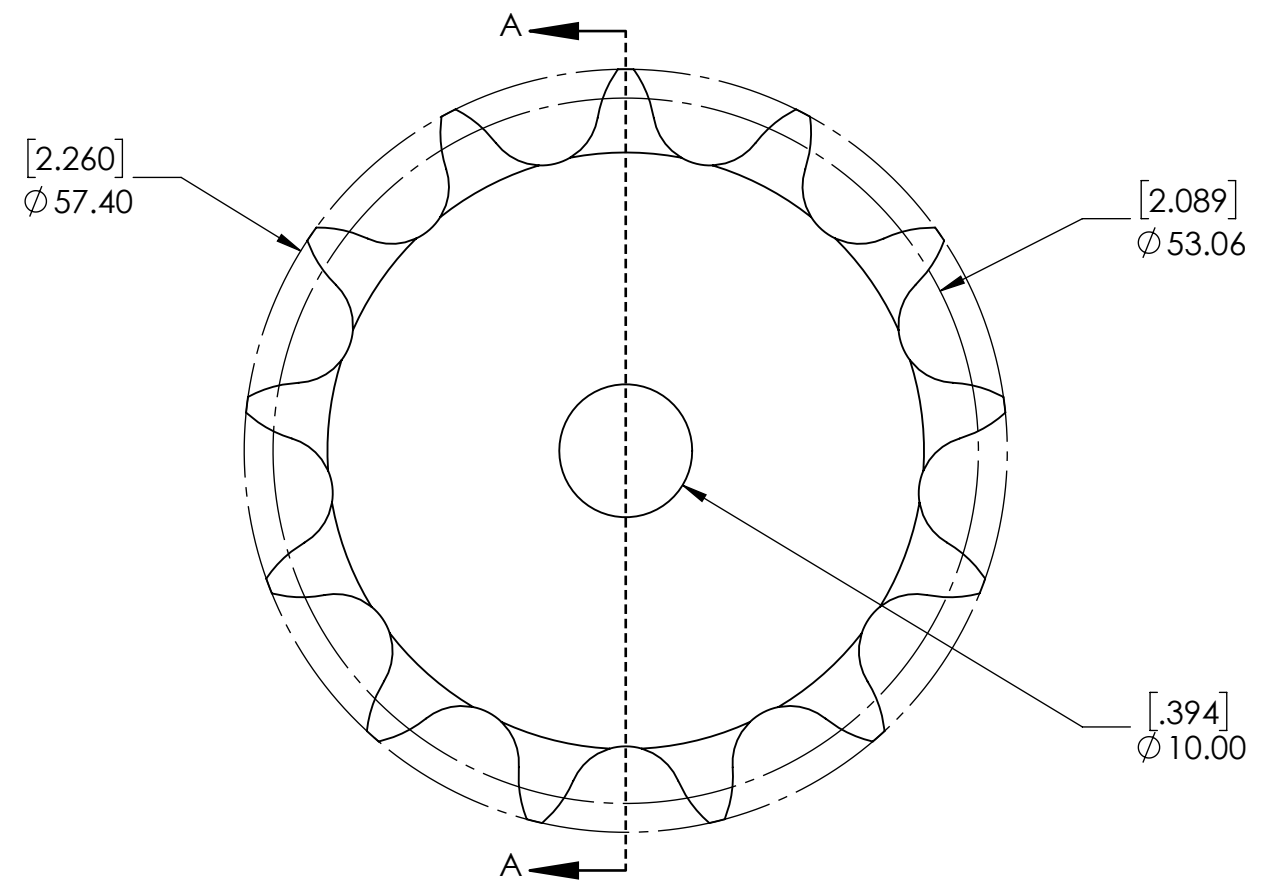


9 8 7 6 5 4 3 2 1

G  
F  
E  
D  
C  
B  
A

G  
F  
E  
D  
C  
B  
A



SECTION A-A

NOTES:  
1. HARDENED TEETH.

SPROCKETS SPECIFICATIONS		WEIGHT		0.58 LBS	
UNITS	mm (INCH)	MATERIAL	STEEL		
CHAIN SIZE	08B	COATING	BLACK OXIDE		
PITCH	12.70 mm	DRAWN	SEC	07/21/2025	
INNER WIDTH	7.75 mm	CHECKED			
ROLLER DIA.	8.51 mm	APPROVED			
TOOTH WIDTH	7.20 mm	DATE	BY	REVISION DESCRIPTION	
NUMBER OF TEETH	13	ITEM DESCRIPTION:		08B-13BH	
HUB STYLE	B	DWG. NO.		SCALE	
BORE TYPE	PLAIN BORE	PROPRIETARY AND CONFIDENTIAL		1:1	
BORE NUMBER	N/A	THE INFORMATION CONTAINED IN THIS DRAWING IS THE SOLE PROPERTY OF SOLVE IMG. ANY REPRODUCTION IN PART OR AS A WHOLE WITHOUT THE WRITTEN PERMISSION OF SOLVE IMG IS PROHIBITED.		REV	
				-	

9 8 7 6 5 4 3 2 1