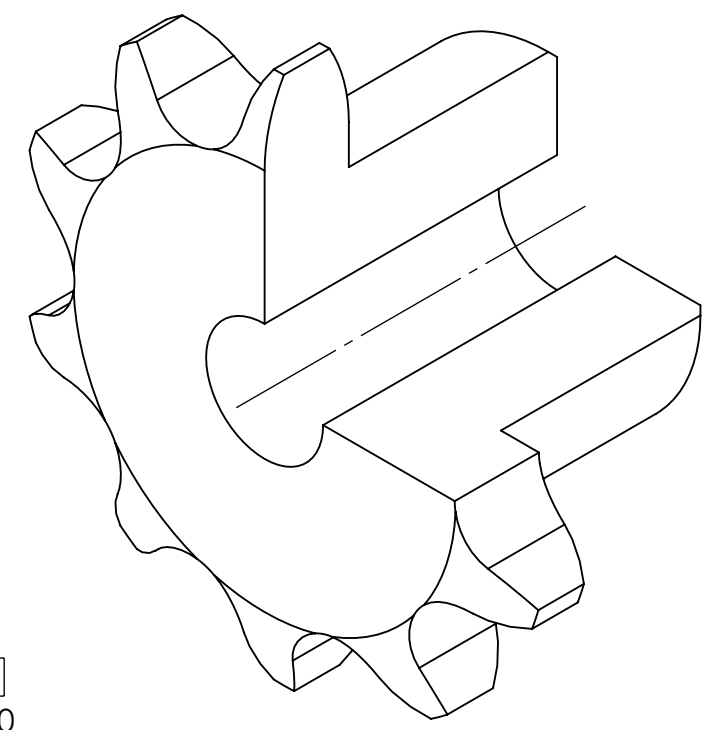
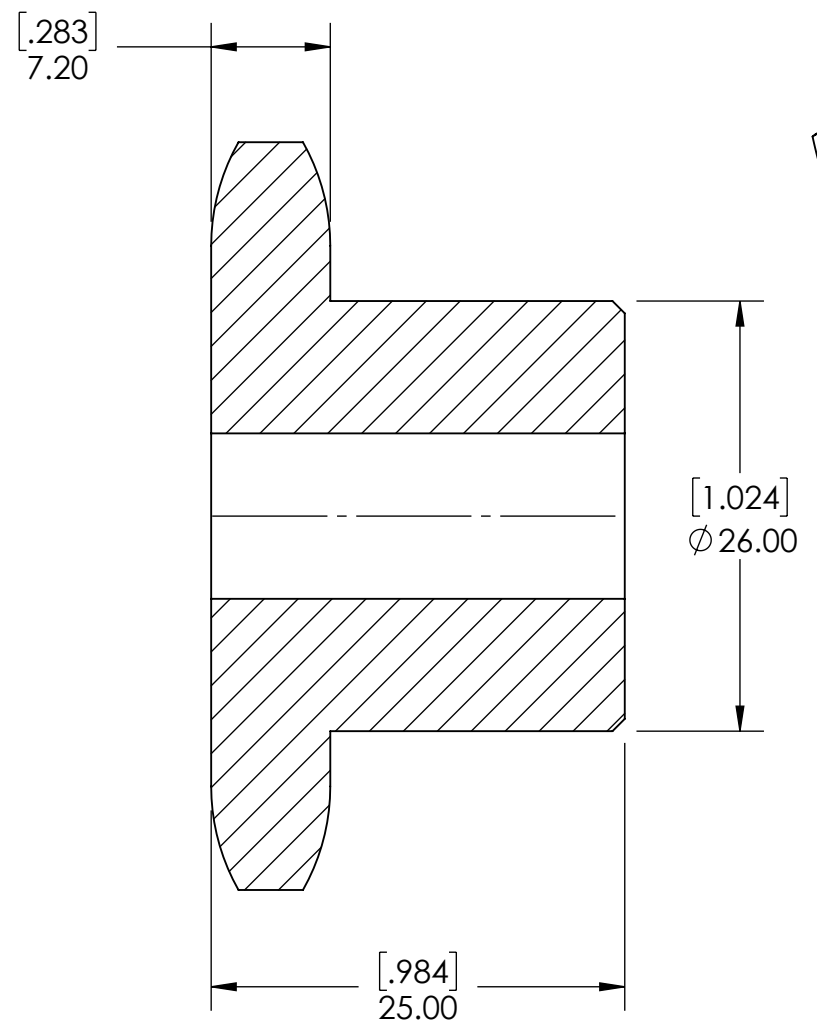
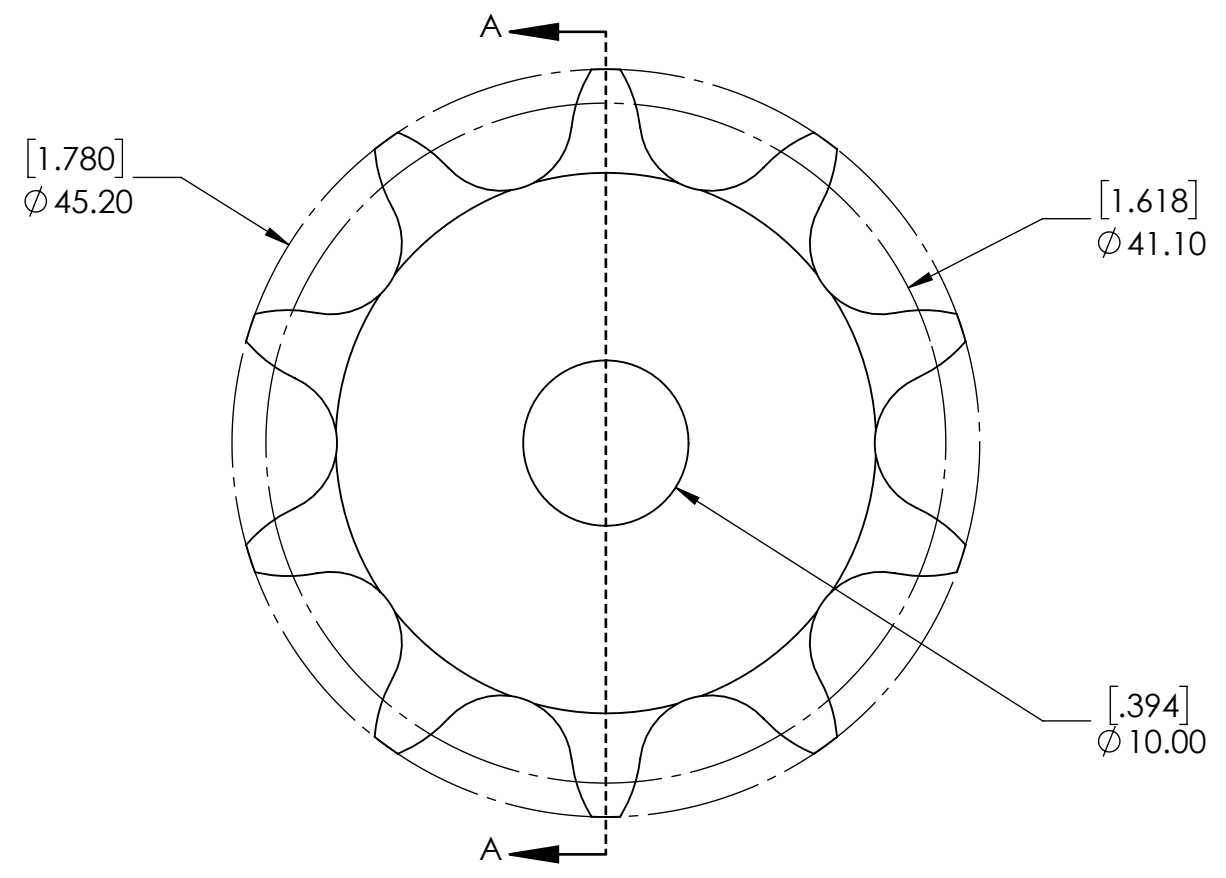


9 8 7 6 5 4 3 2 1

G
F
E
D
C
B
A

G
F
E
D
C
B
A



SECTION A-A

SPROCKETS SPECIFICATIONS		WEIGHT		DATE		BY		REVISION DESCRIPTION		REV
UNITS	mm (INCH)	0.26 LBS								
CHAIN SIZE	08B	STEEL								
PITCH	12.70 mm	BLACK OXIDE		07/21/2025						
INNER WIDTH	7.75 mm	DRAWN		SEC						
ROLLER DIA.	8.51 mm	CHECKED		PT		07/25/2025				
TOOTH WIDTH	7.20 mm	APPROVED								
NUMBER OF TEETH	10	THIRD ANGLE PROJECTION								
HUB STYLE	B	DWG. NO.								
BORE TYPE	PLAIN BORE	PTI		PROPRIETARY AND CONFIDENTIAL		ITEM DESCRIPTION:		08B-10B		SCALE
BORE NUMBER	N/A			THE INFORMATION CONTAINED IN THIS DRAWING IS THE SOLE PROPERTY OF SOLVE IMG. ANY REPRODUCTION IN PART OR AS A WHOLE WITHOUT THE WRITTEN PERMISSION OF SOLVE IMG IS PROHIBITED.						1:1
										REV
										-

9 8 7 6 5 4 3 2 1