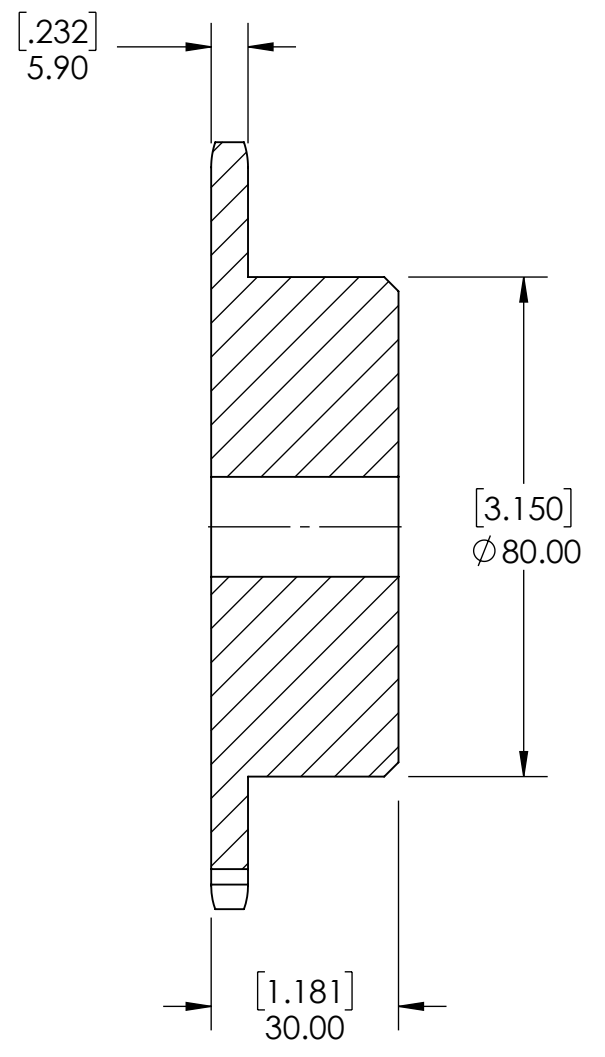
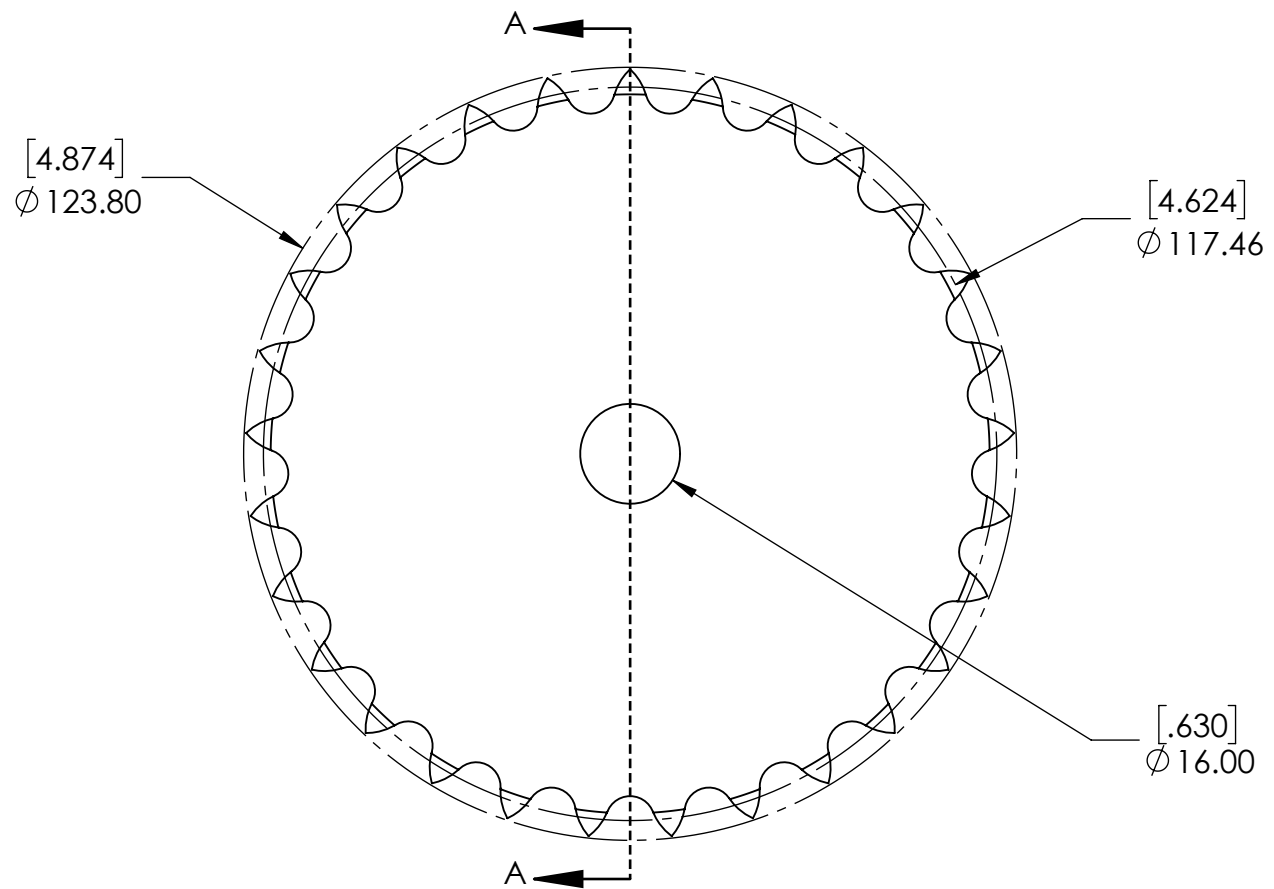


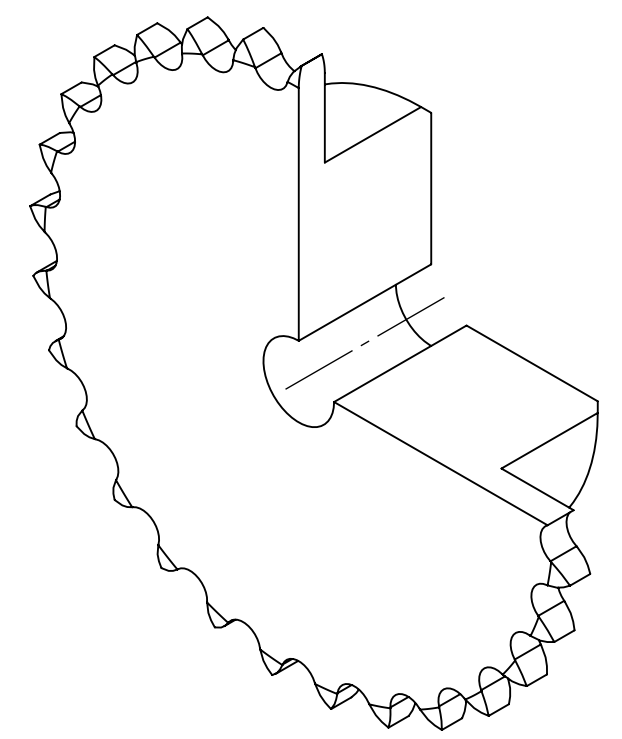
9 8 7 6 5 4 3 2 1

G
F
E
D
C
B
A

G
F
E
D
C
B
A



SECTION A-A



SPROCKETS SPECIFICATIONS		WEIGHT		DATE		BY		REVISION DESCRIPTION		REV
UNITS	mm (INCH)	3.03 LBS								SCALE
CHAIN SIZE	085B	MATERIAL	STEEL							1:1
PITCH	12.70 mm	COATING	BLACK OXIDE							REV
INNER WIDTH	6.40 mm	DRAWN	SEC	08/18/2025						-
ROLLER DIA.	7.75 mm	CHECKED	DH	08/18/2025						
TOOTH WIDTH	5.90 mm	APPROVED								
NUMBER OF TEETH	29									
HUB STYLE	B									
BORE TYPE	PLAIN BORE									
BUSHING NUMBER	N/A									
		DWG. NO.								
						ITEM DESCRIPTION:		085B-29B		
				<small>PROPRIETARY AND CONFIDENTIAL</small> <small>THE INFORMATION CONTAINED IN THIS DRAWING IS THE SOLE PROPERTY OF SOLVE IMG. ANY REPRODUCTION IN PART OR AS A WHOLE WITHOUT THE WRITTEN PERMISSION OF SOLVE IMG IS PROHIBITED.</small>						

9 8 7 6 5 4 3 2 1