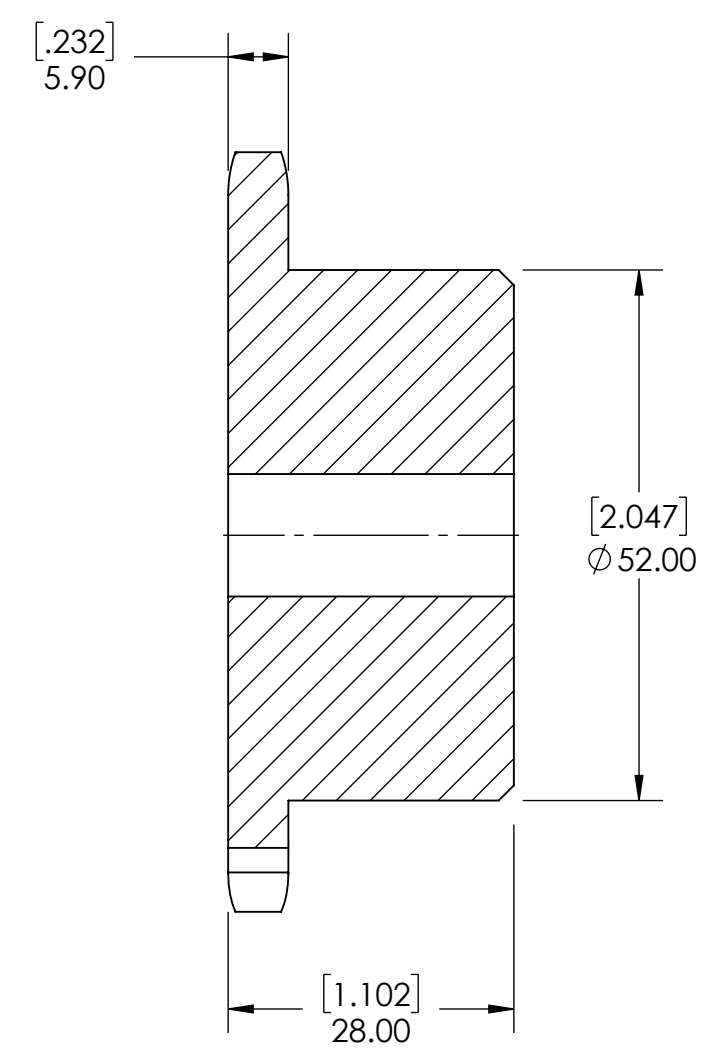
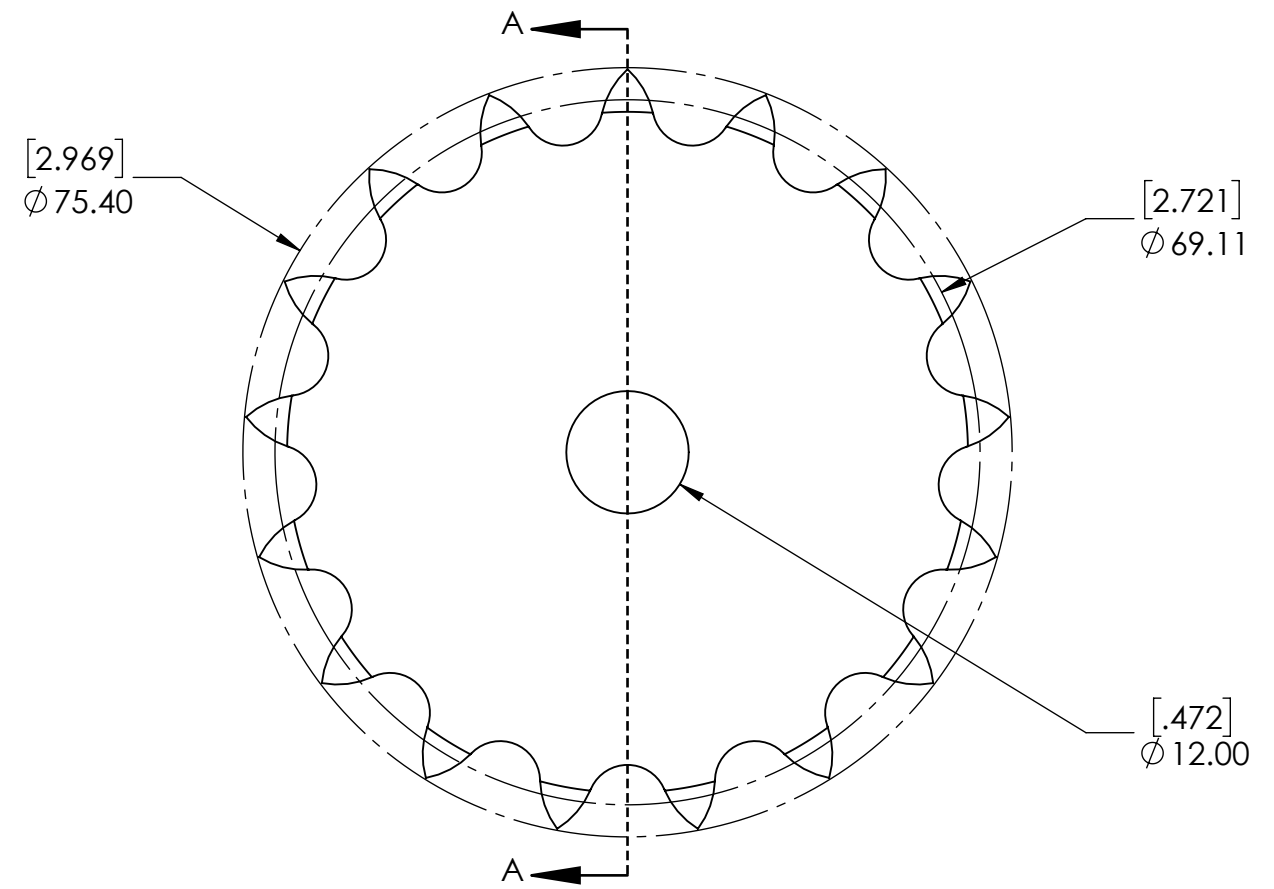


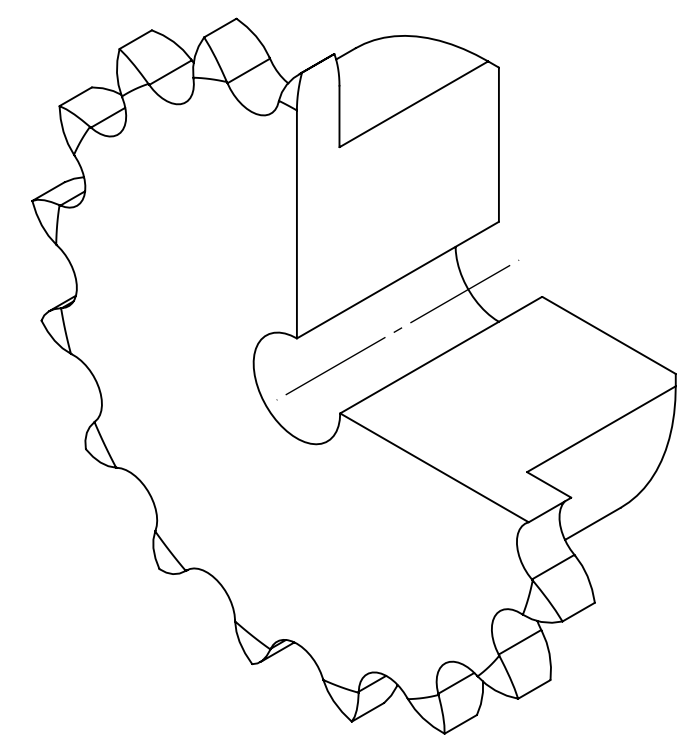
9 8 7 6 5 4 3 2 1

G  
F  
E  
D  
C  
B  
A

G  
F  
E  
D  
C  
B  
A



SECTION A-A



SPROCKETS SPECIFICATIONS		WEIGHT		1.11 LBS	
UNITS	mm (INCH)	MATERIAL	STEEL		
CHAIN SIZE	085B	COATING	BLACK OXIDE		
PITCH	12.70 mm	DRAWN	SEC	08/18/2025	
INNER WIDTH	6.40 mm	CHECKED	DH	08/18/2025	
ROLLER DIA.	7.75 mm	APPROVED			
TOOTH WIDTH	5.90 mm	DATE	BY	REVISION DESCRIPTION	
NUMBER OF TEETH	17	ITEM DESCRIPTION:			REV
HUB STYLE	B	085B-17B			SCALE
BORE TYPE	PLAIN BORE				1:1
BUSHING NUMBER	N/A				REV
		DWG. NO.		-	

9 8 7 6 5 4 3 2 1