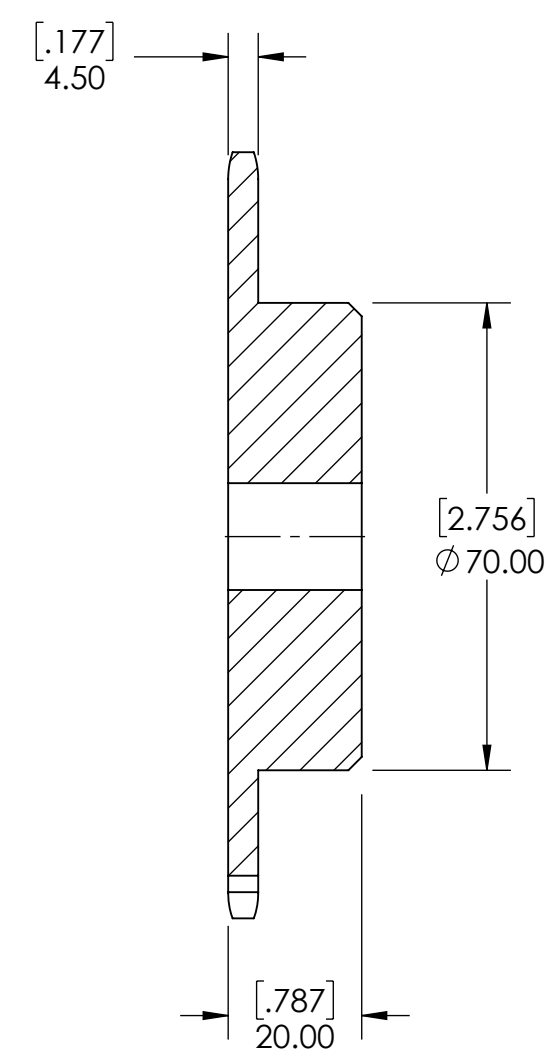
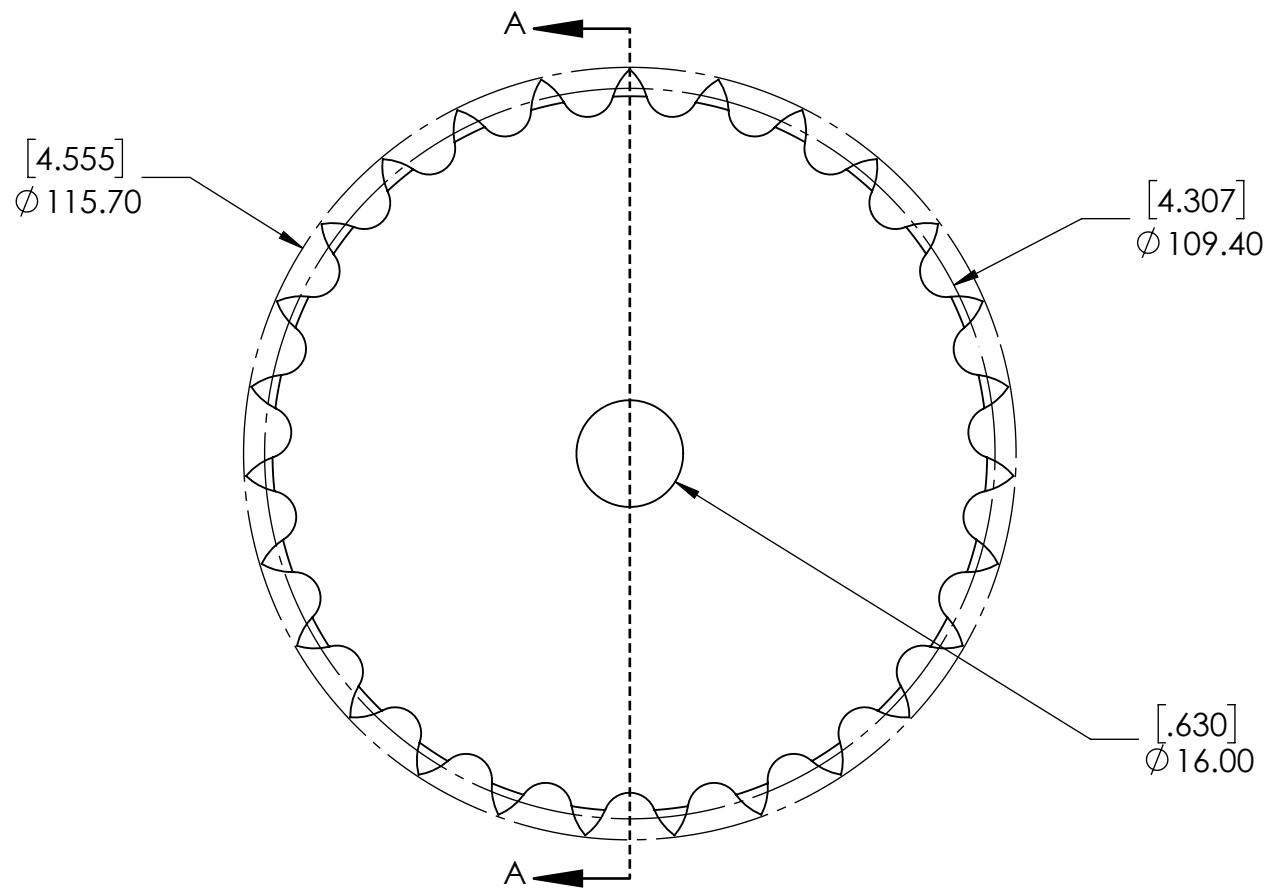


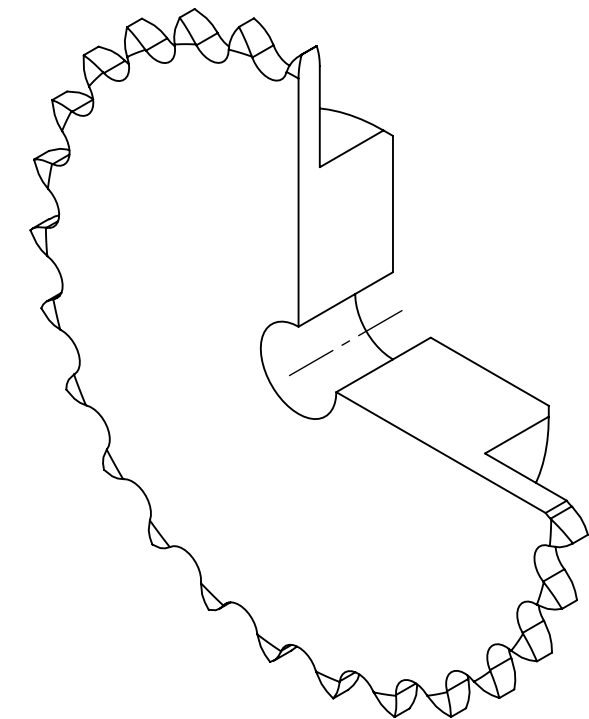
9 8 7 6 5 4 3 2 1

G
F
E
D
C
B
A

G
F
E
D
C
B
A



SECTION A-A



SPROCKETS SPECIFICATIONS		WEIGHT		DATE		BY		REVISION DESCRIPTION		REV
UNITS	mm (INCH)	1.65 LBS								SCALE
CHAIN SIZE	083B	MATERIAL	STEEL							1:1
PITCH	12.70 mm	COATING	BLACK OXIDE							REV
INNER WIDTH	4.88 mm	DRAWN	SEC	08/18/2025					-	
ROLLER DIA.	7.75 mm	CHECKED	DH	08/18/2025						
TOOTH WIDTH	4.50 mm	APPROVED								
NUMBER OF TEETH	27									
HUB STYLE	B									
BORE TYPE	PLAIN BORE									
BUSHING NUMBER	N/A									
		DWG. NO.		083B-27B						

9 8 7 6 5 4 3 2 1

A



PROPRIETARY AND CONFIDENTIAL
THE INFORMATION CONTAINED IN THIS DRAWING IS THE SOLE PROPERTY OF SOLVE IMG. ANY REPRODUCTION IN PART OR AS A WHOLE WITHOUT THE WRITTEN PERMISSION OF SOLVE IMG IS PROHIBITED.