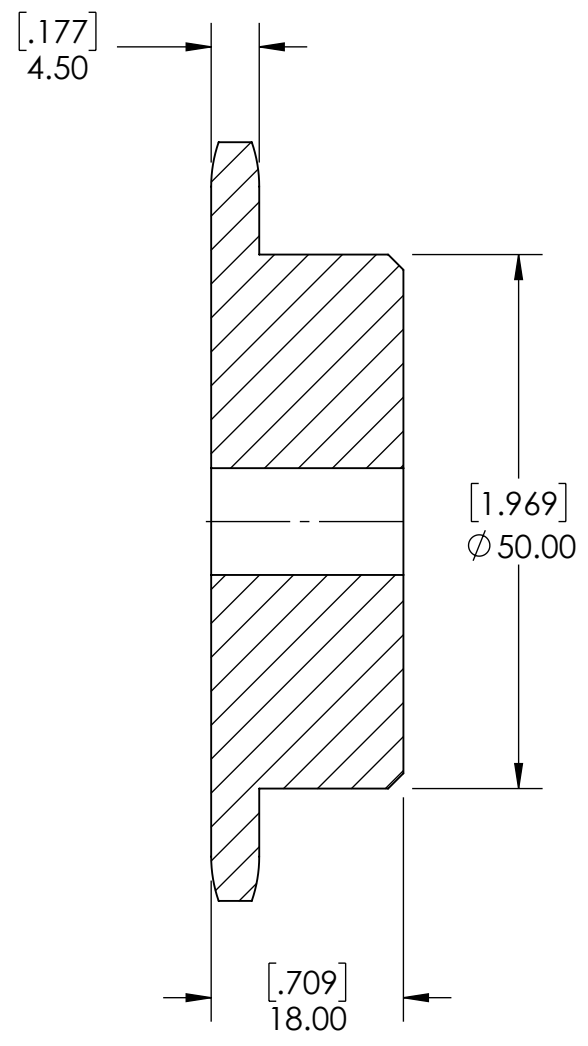
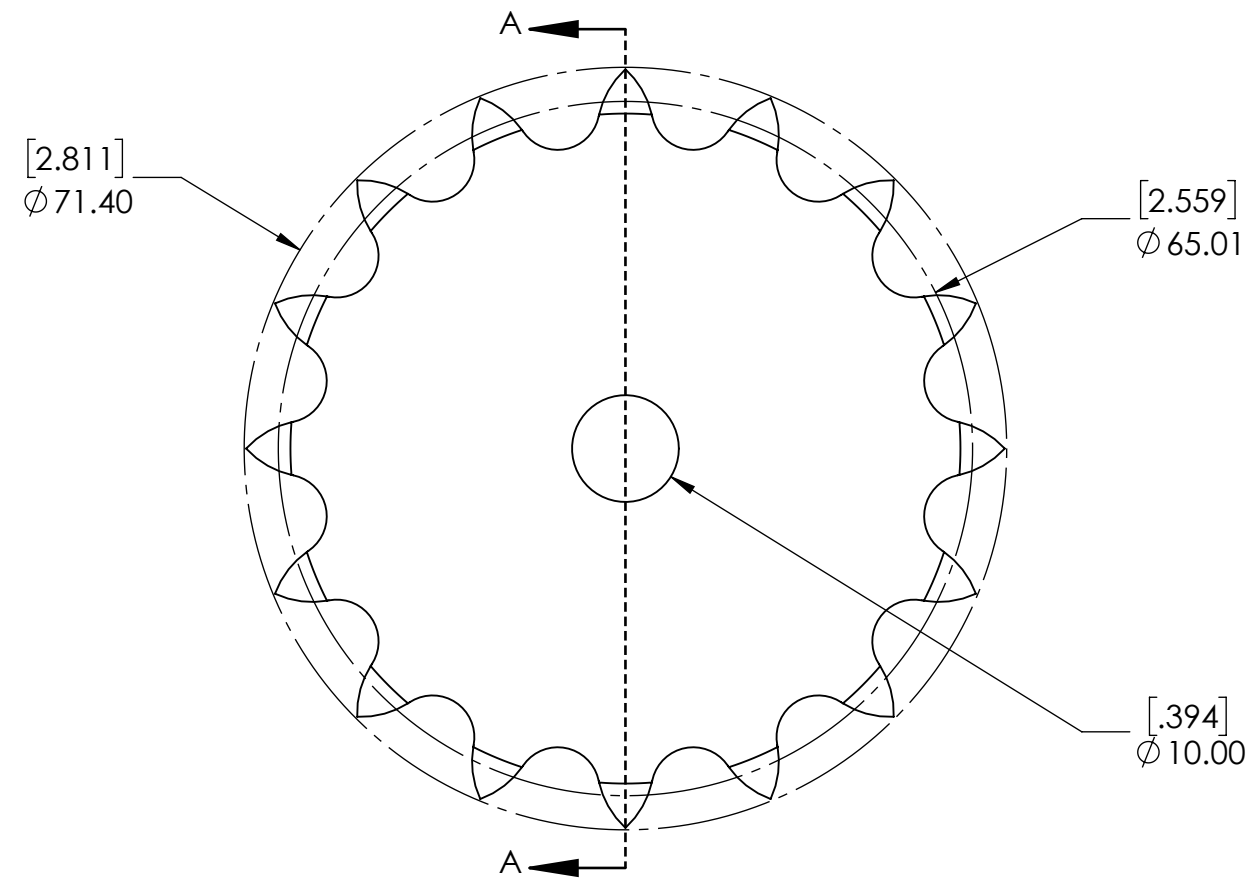


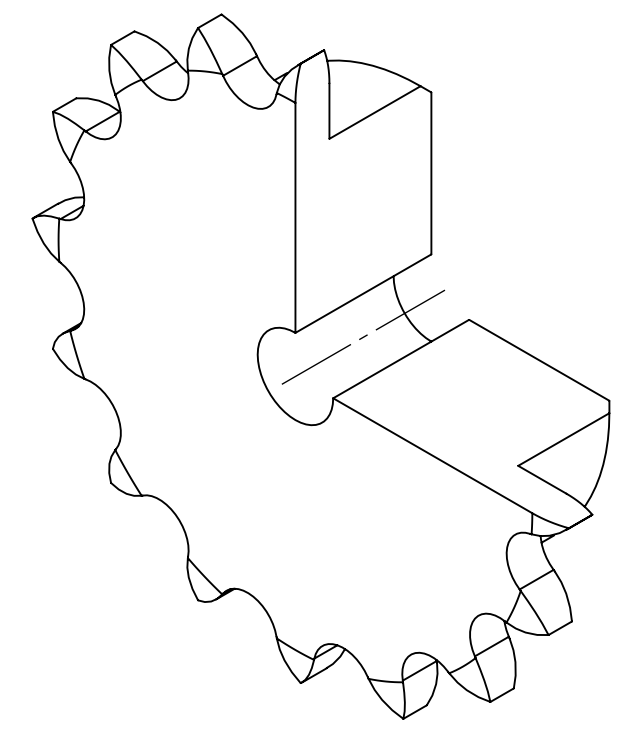
9 8 7 6 5 4 3 2 1

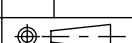
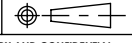
G
F
E
D
C
B
A

G
F
E
D
C
B
A



SECTION A-A



SPROCKETS SPECIFICATIONS		WEIGHT		0.67 LBS	
UNITS	mm (INCH)	MATERIAL	STEEL		
CHAIN SIZE	083B	COATING	BLACK OXIDE		
PITCH	12.70 mm	DRAWN	SEC	08/18/2025	
INNER WIDTH	4.88 mm	CHECKED	DH	08/18/2025	
ROLLER DIA.	7.75 mm	APPROVED			
TOOTH WIDTH	4.50 mm	DATE	BY	REVISION DESCRIPTION	
NUMBER OF TEETH	16	ITEM DESCRIPTION:		083B-16B	
HUB STYLE	B	DWG. NO.		SCALE	
BORE TYPE	PLAIN BORE			1:1	
BUSHING NUMBER	N/A	<small>PROPRIETARY AND CONFIDENTIAL</small> <small>THE INFORMATION CONTAINED IN THIS DRAWING IS THE SOLE PROPERTY OF SOLVE IMG. ANY REPRODUCTION IN PART OR AS A WHOLE WITHOUT THE WRITTEN PERMISSION OF SOLVE IMG IS PROHIBITED.</small>		REV	
					-

9 8 7 6 5 4 3 2 1