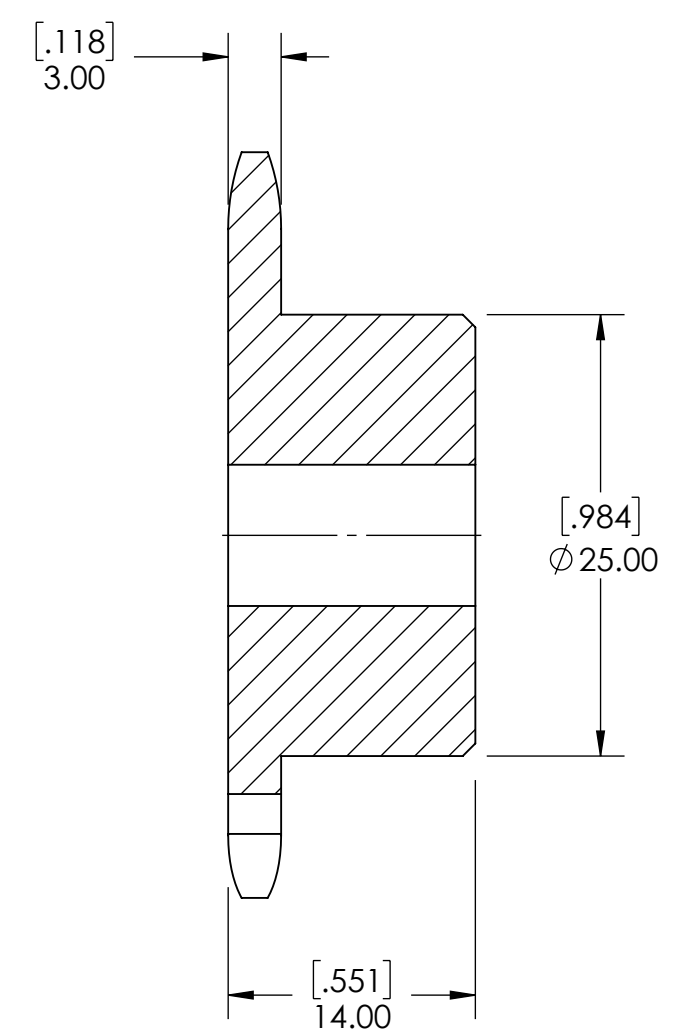
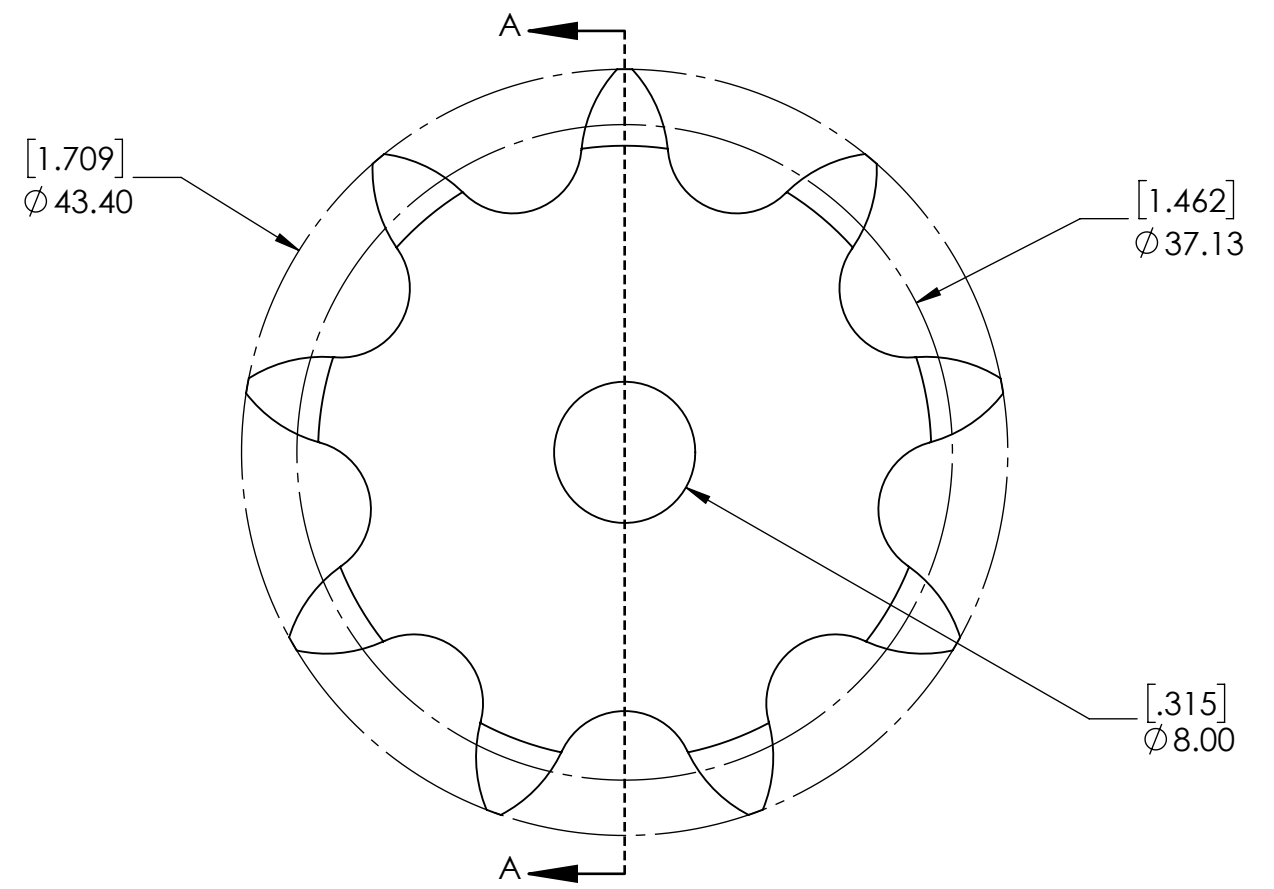
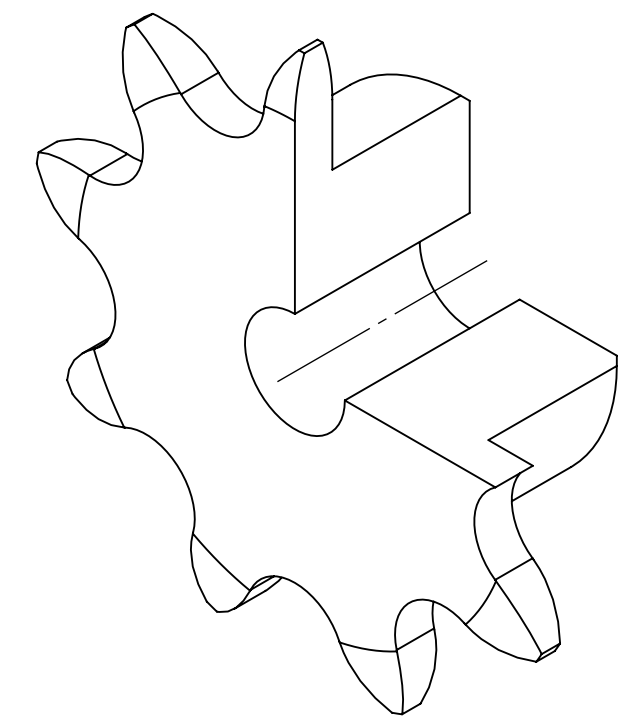


9 8 7 6 5 4 3 2 1

G F E D C B A



SECTION A-A



A B C D E F G

9 8 7 6 5 4 3 2 1

SPROCKETS SPECIFICATIONS		WEIGHT		DATE		BY		REVISION DESCRIPTION		REV
UNITS	mm (INCH)	0.13 LBS								
CHAIN SIZE	081B	MATERIAL	STEEL							
PITCH	12.70 mm	COATING	BLACK OXIDE	DRAWN	SEC	08/18/2025				
INNER WIDTH	3.30 mm	CHECKED	DH	08/18/2025						
ROLLER DIA.	7.75 mm	APPROVED								
TOOTH WIDTH	3.00 mm	THIRD ANGLE PROJECTION								
NUMBER OF TEETH	9	PTI								
HUB STYLE	B	DWG. NO.								
BORE TYPE	PLAIN BORE	PROPRIETARY AND CONFIDENTIAL								
BUSHING NUMBER	N/A	THE INFORMATION CONTAINED IN THIS DRAWING IS THE SOLE PROPERTY OF SOLVE IMG. ANY REPRODUCTION IN PART OR AS A WHOLE WITHOUT THE WRITTEN PERMISSION OF SOLVE IMG IS PROHIBITED.								
				ITEM DESCRIPTION:		081B-9B				SCALE
										1:1
										REV
										-