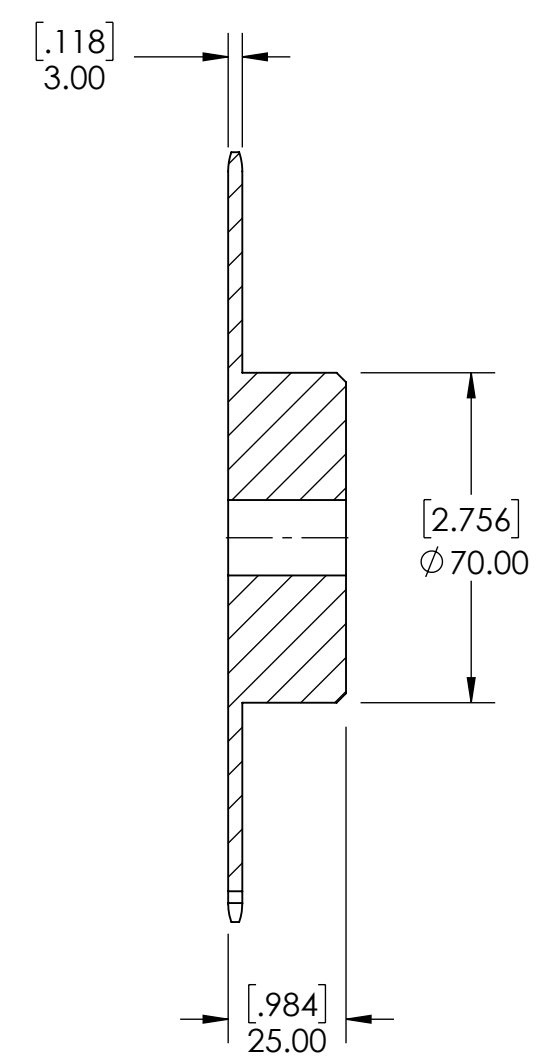
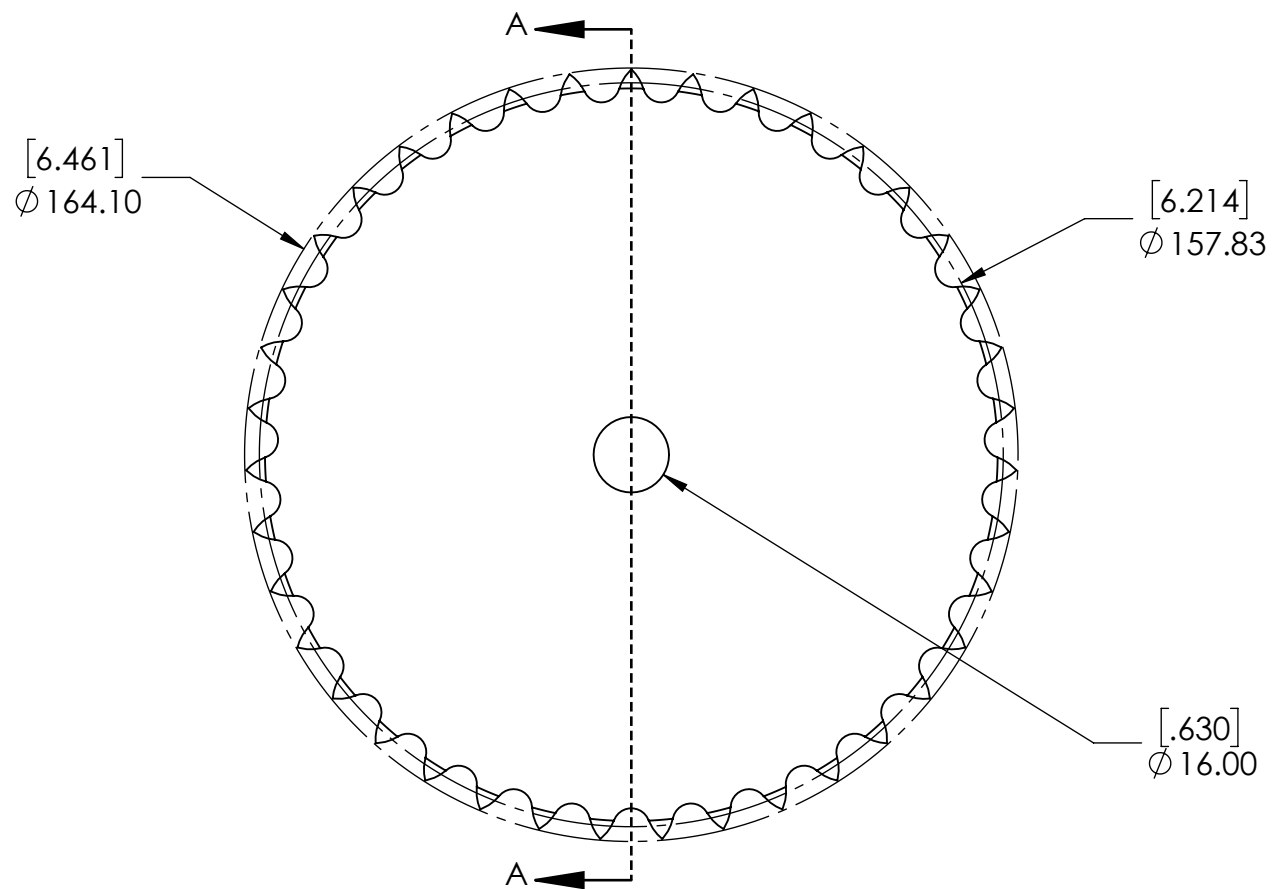


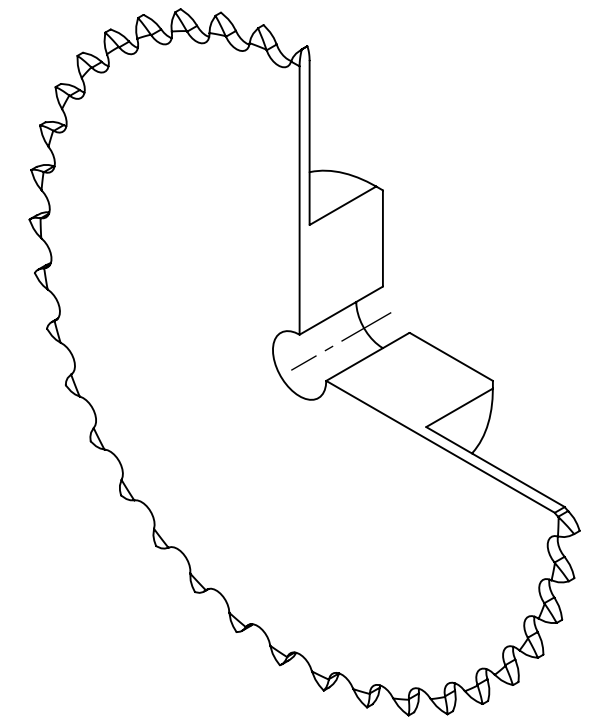
9 8 7 6 5 4 3 2 1

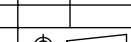
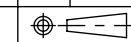
G  
F  
E  
D  
C  
B  
A

G  
F  
E  
D  
C  
B  
A



SECTION A-A



SPROCKETS SPECIFICATIONS		WEIGHT		2.35 LBS				
UNITS	mm (INCH)	MATERIAL	STEEL					
CHAIN SIZE	081B	COATING	BLACK OXIDE					
PITCH	12.70 mm	DRAWN	SEC	08/18/2025				
INNER WIDTH	3.30 mm	CHECKED	DH	08/18/2025				
ROLLER DIA.	7.75 mm	APPROVED			DATE	BY	REVISION DESCRIPTION	REV
TOOTH WIDTH	3.00 mm		ITEM DESCRIPTION:					SCALE
NUMBER OF TEETH	39		081B-39B					1:1
HUB STYLE	B	DWG. NO.		<small>PROPRIETARY AND CONFIDENTIAL</small> <small>THE INFORMATION CONTAINED IN THIS DRAWING IS THE SOLE PROPERTY OF SOLVE IMG. ANY REPRODUCTION IN PART OR AS A WHOLE WITHOUT THE WRITTEN PERMISSION OF SOLVE IMG IS PROHIBITED.</small>				REV
BORE TYPE	PLAIN BORE							-
BUSHING NUMBER	N/A							

9 8 7 6 5 4 3 2 1