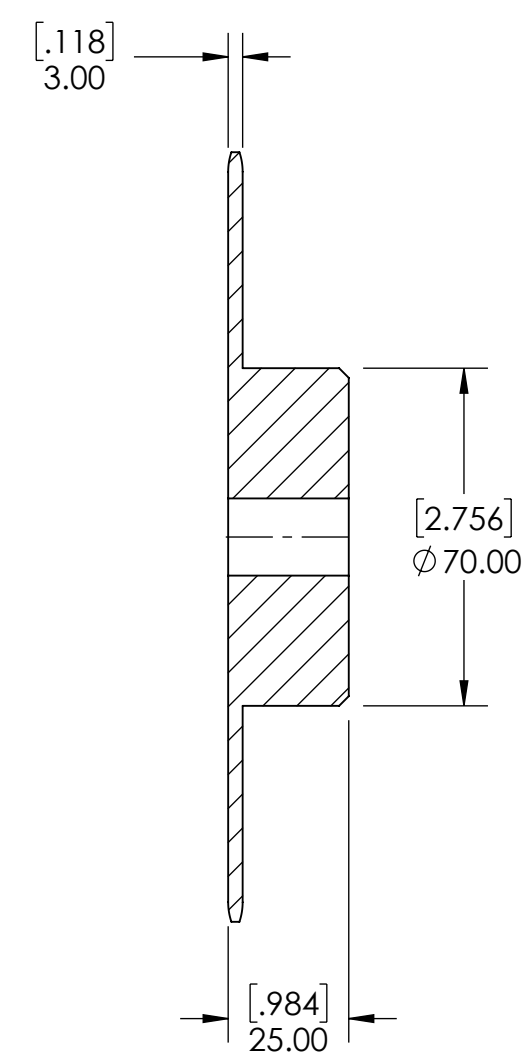
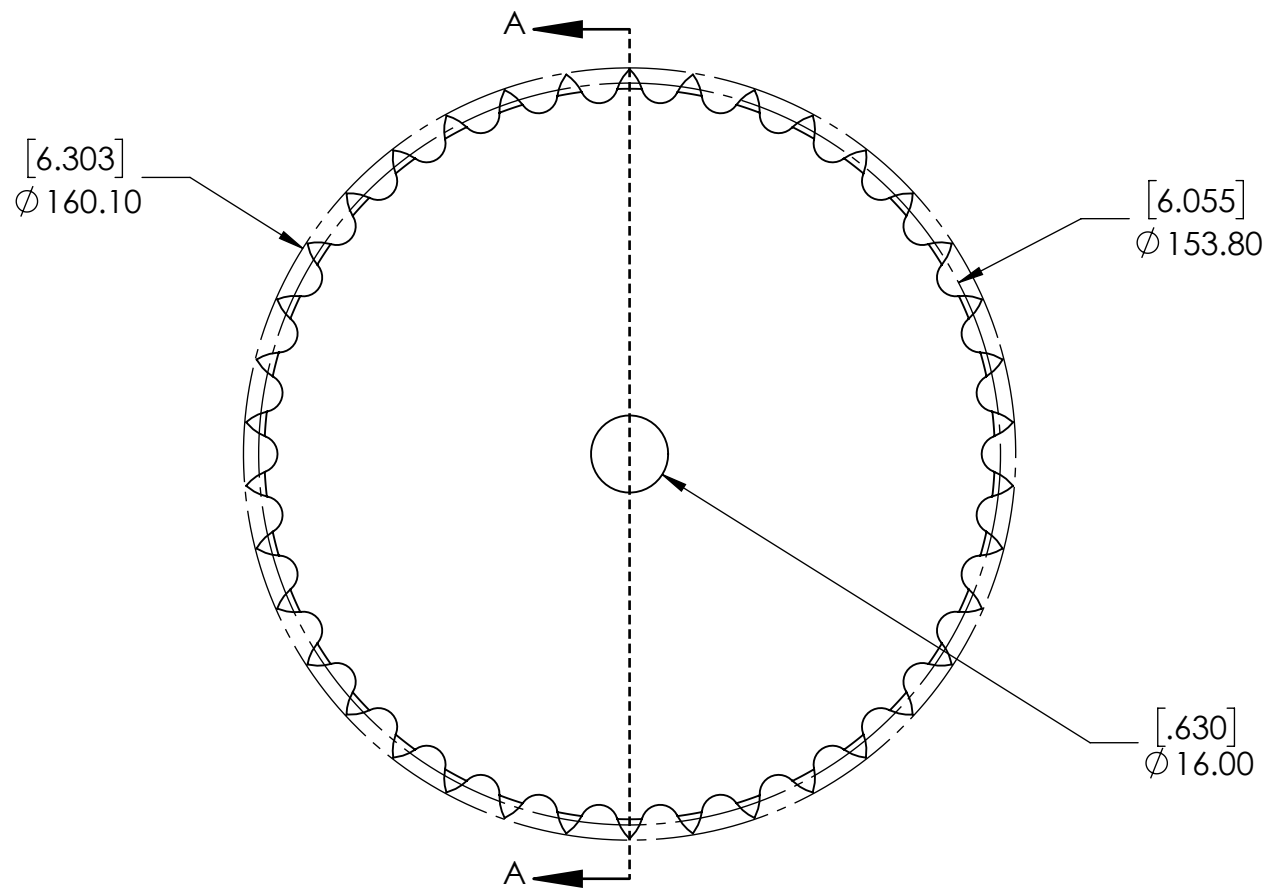


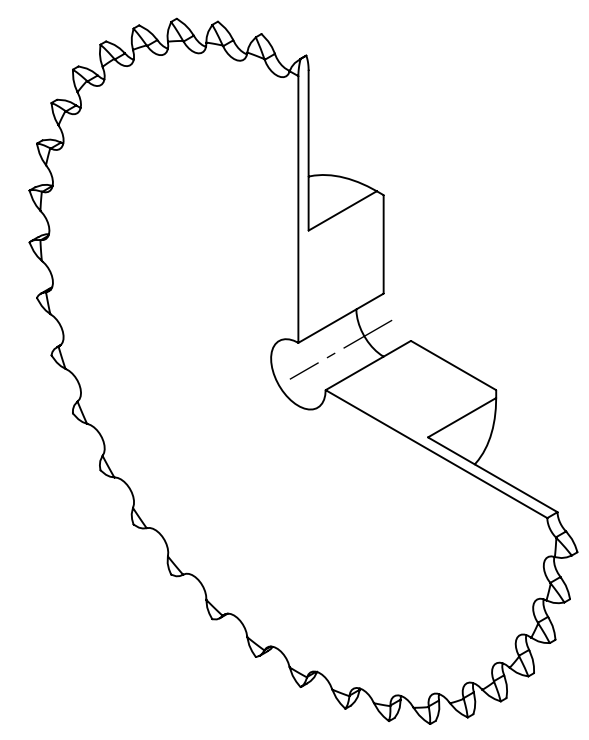
9 8 7 6 5 4 3 2 1

G
F
E
D
C
B
A

G
F
E
D
C
B
A



SECTION A-A



SPROCKETS SPECIFICATIONS		WEIGHT		DATE		BY		REVISION DESCRIPTION		REV
UNITS	mm (INCH)	2.30 LBS								SCALE
CHAIN SIZE	081B	MATERIAL	STEEL							1:1
PITCH	12.70 mm	COATING	BLACK OXIDE	DRAWN	SEC	07/16/2025				REV
INNER WIDTH	3.30 mm	CHECKED	DH	08/14/2025						-
ROLLER DIA.	7.75 mm	APPROVED			ITEM DESCRIPTION: 081B-38B					
TOOTH WIDTH	3.00 mm									
NUMBER OF TEETH	38	DWG. NO.		<small>PROPRIETARY AND CONFIDENTIAL</small> <small>THE INFORMATION CONTAINED IN THIS DRAWING IS THE SOLE PROPERTY OF SOLVE IMG. ANY REPRODUCTION IN PART OR AS A WHOLE WITHOUT THE WRITTEN PERMISSION OF SOLVE IMG IS PROHIBITED.</small>						
HUB STYLE	B	PTI								
BORE TYPE	PLAIN BORE									
BUSHING NUMBER	N/A									

9 8 7 6 5 4 3 2 1