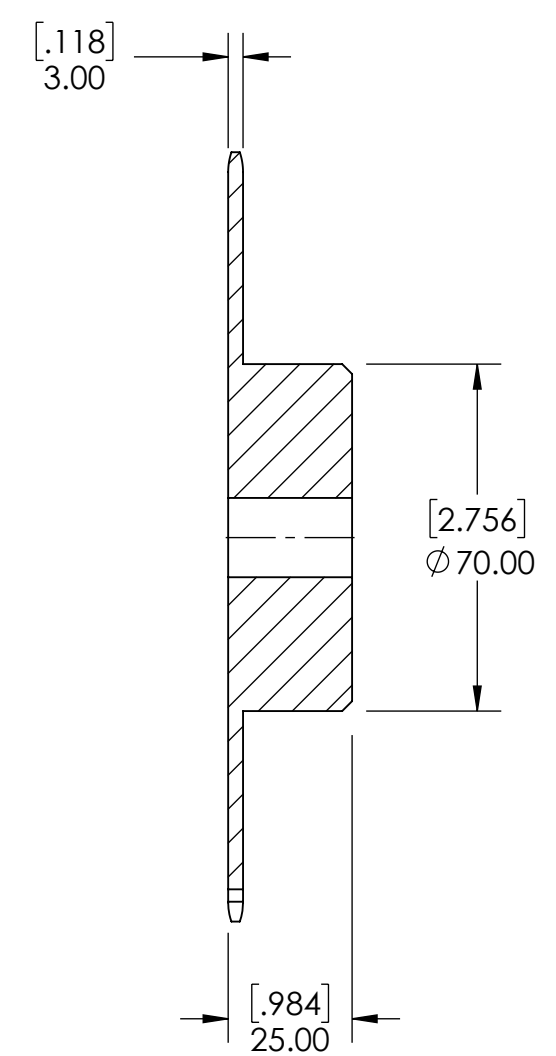
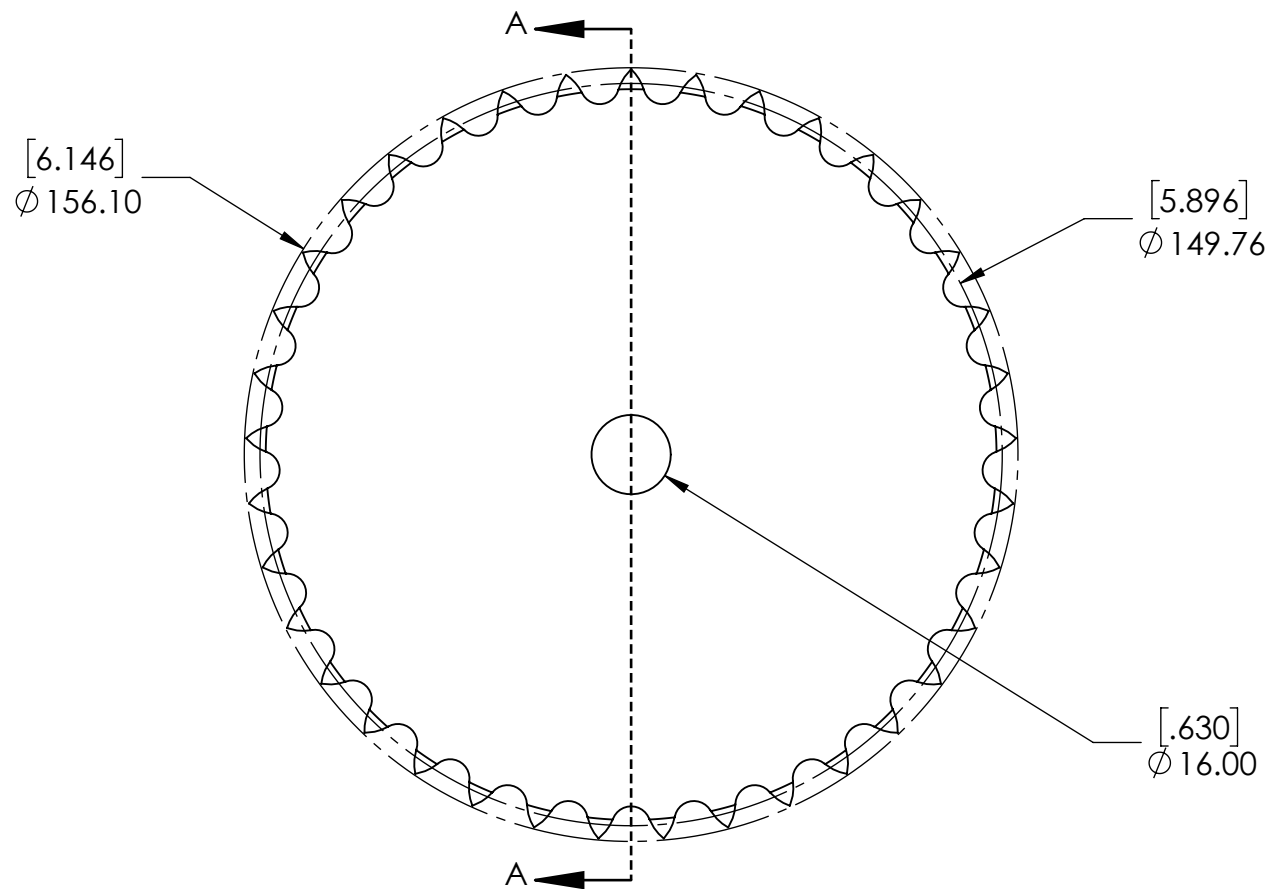
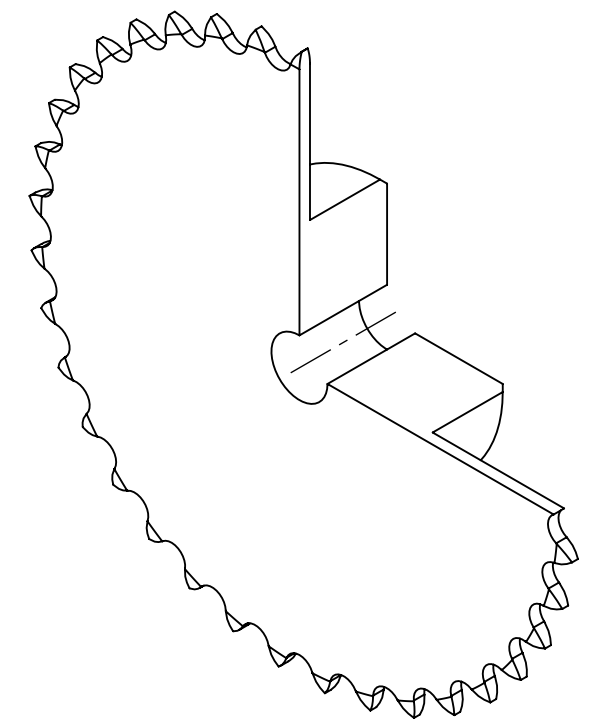


9 8 7 6 5 4 3 2 1

G F E D C B A



SECTION A-A



SPROCKETS SPECIFICATIONS		WEIGHT		DATE		BY		REVISION DESCRIPTION		REV
UNITS	mm (INCH)	2.25 LBS								SCALE
CHAIN SIZE	081B	STEEL								1:1
PITCH	12.70 mm	BLACK OXIDE		08/18/2025						REV
INNER WIDTH	3.30 mm	DRAWN SEC		DH						-
ROLLER DIA.	7.75 mm	CHECKED		DH						
TOOTH WIDTH	3.00 mm	APPROVED								
NUMBER OF TEETH	37	THIRD ANGLE PROJECTION								
HUB STYLE	B	DWG. NO.								
BORE TYPE	PLAIN BORE	PTI								
BUSHING NUMBER	N/A	PROPRIETARY AND CONFIDENTIAL								
		THE INFORMATION CONTAINED IN THIS DRAWING IS THE SOLE PROPERTY OF SOLVE IMG. ANY REPRODUCTION IN PART OR AS A WHOLE WITHOUT THE WRITTEN PERMISSION OF SOLVE IMG IS PROHIBITED.						ITEM DESCRIPTION:		
								081B-37B		

9 8 7 6 5 4 3 2 1

A B C D E F G