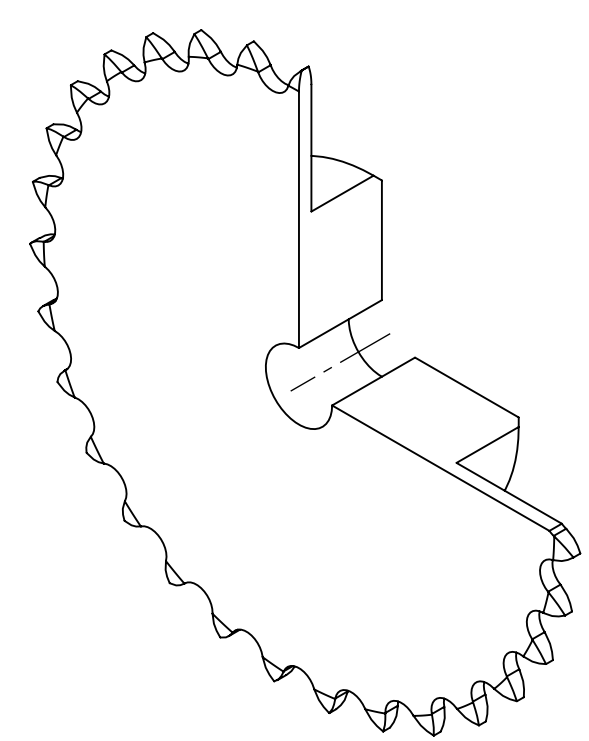
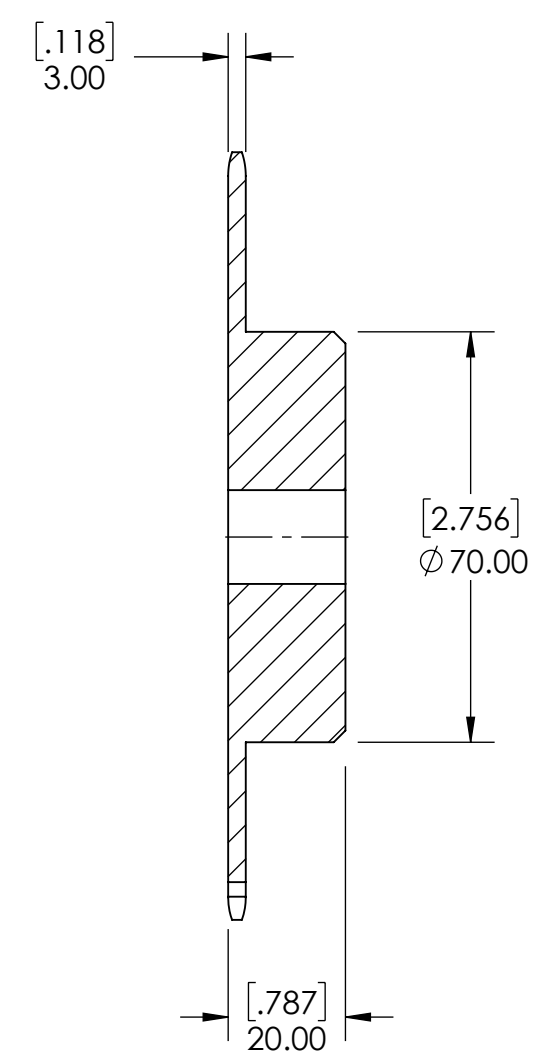
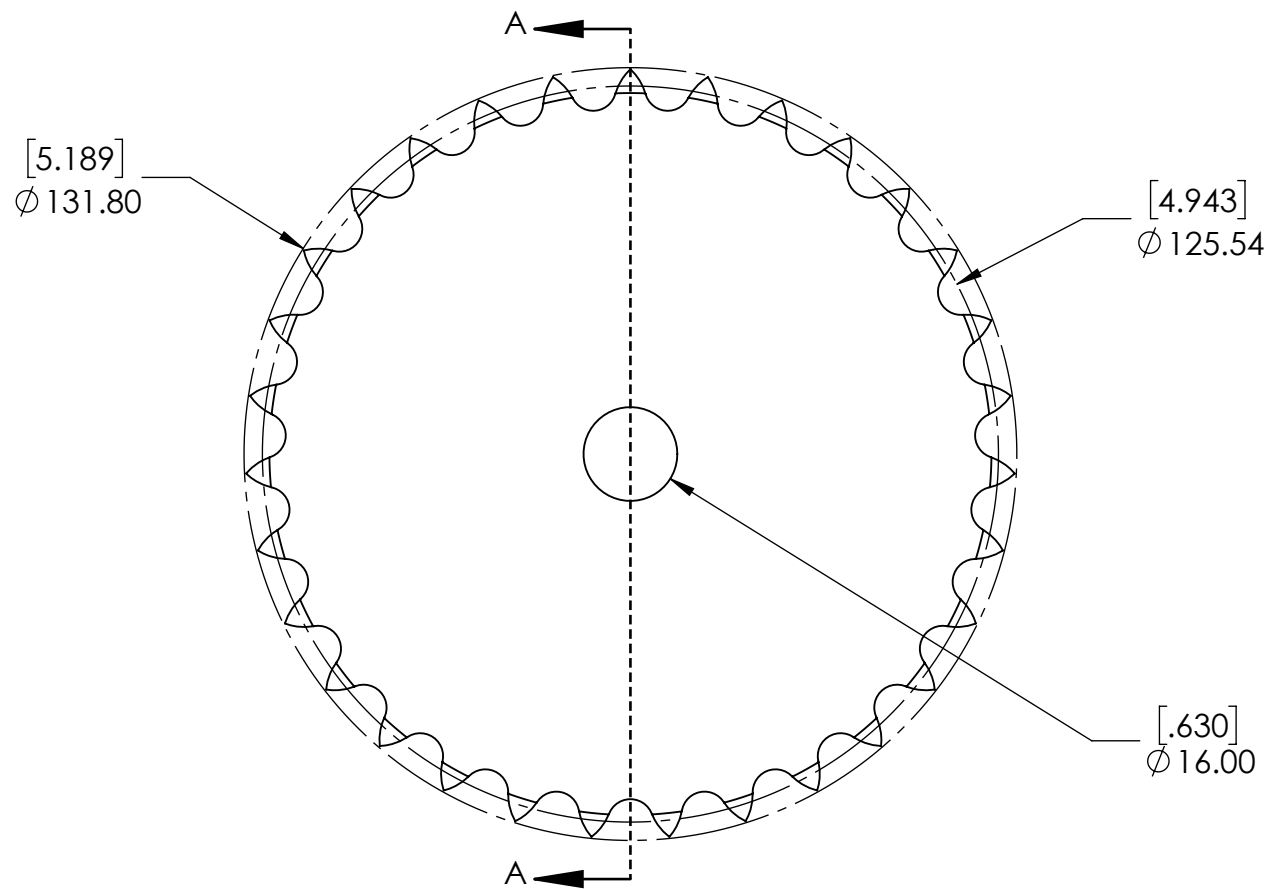


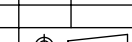
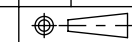
9 8 7 6 5 4 3 2 1

G
F
E
D
C
B
A

G
F
E
D
C
B
A



SECTION A-A

SPROCKETS SPECIFICATIONS		WEIGHT		1.67 LBS				
UNITS	mm (INCH)	MATERIAL	STEEL					
CHAIN SIZE	08B	COATING	BLACK OXIDE					
PITCH	12.70 mm	DRAWN	SEC	08/18/2025				
INNER WIDTH	3.30 mm	CHECKED	DH	08/18/2025				
ROLLER DIA.	7.75 mm	APPROVED			DATE	BY	REVISION DESCRIPTION	REV
TOOTH WIDTH	3.00 mm		ITEM DESCRIPTION:				SCALE	
NUMBER OF TEETH	31		081B-31B				1:1	
HUB STYLE	B	DWG. NO.		PROPRIETARY AND CONFIDENTIAL		REV		
BORE TYPE	PLAIN BORE			THE INFORMATION CONTAINED IN THIS DRAWING IS THE SOLE PROPERTY OF SOLVE IMG. ANY REPRODUCTION IN PART OR AS A WHOLE WITHOUT THE WRITTEN PERMISSION OF SOLVE IMG IS PROHIBITED.		-		
BUSHING NUMBER	N/A							

9 8 7 6 5 4 3 2 1