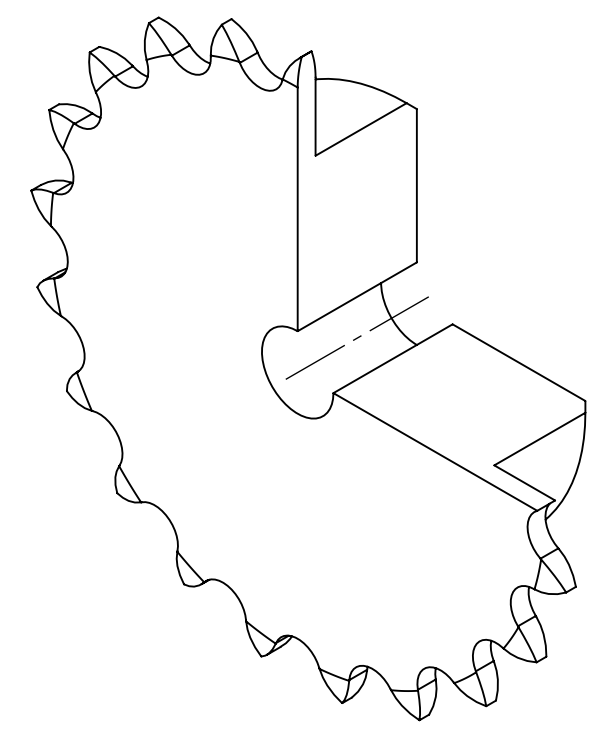
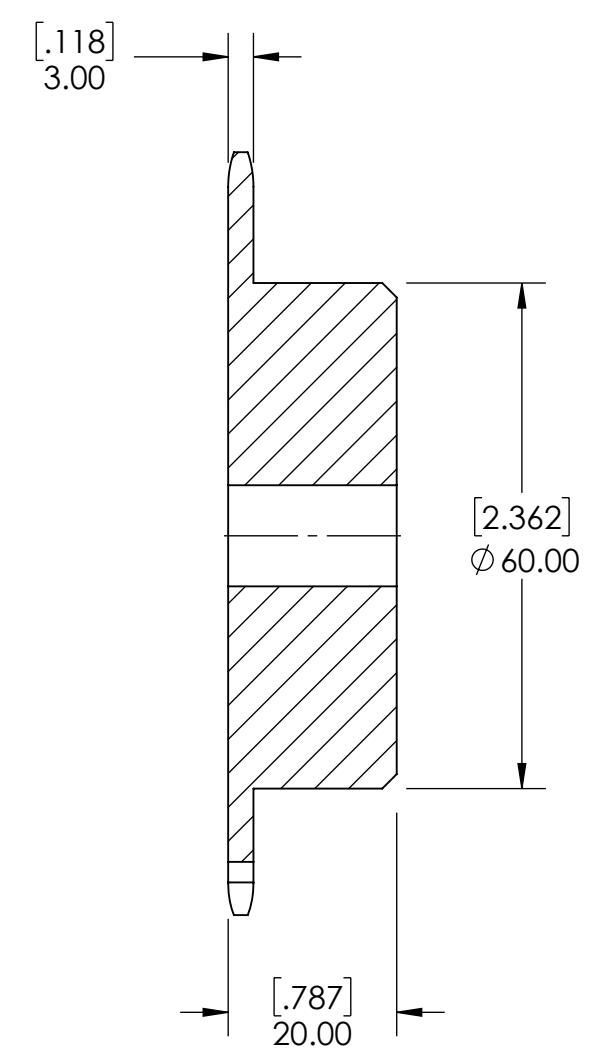
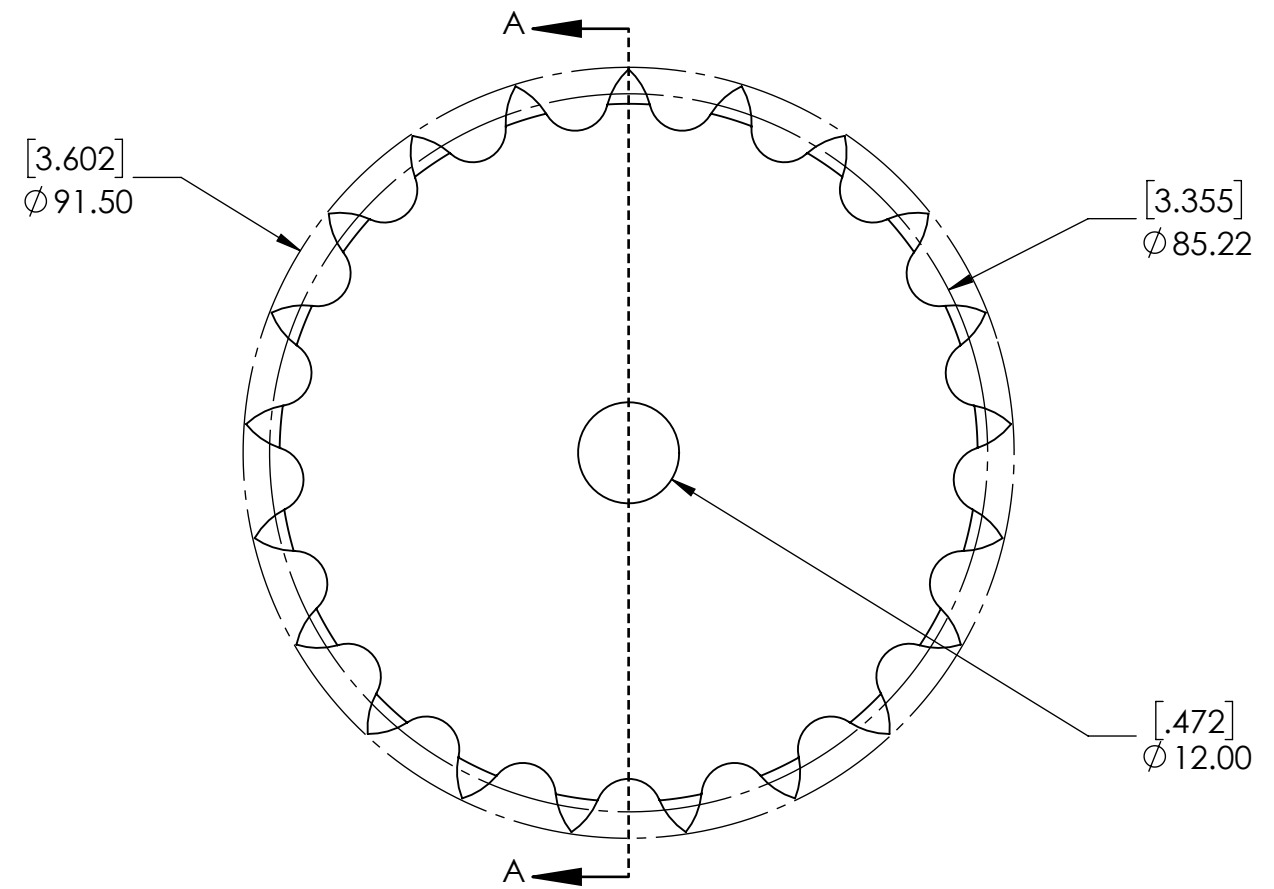


9 8 7 6 5 4 3 2 1

G  
F  
E  
D  
C  
B  
A

G  
F  
E  
D  
C  
B  
A



SECTION A-A

SPROCKETS SPECIFICATIONS		WEIGHT		1.06 LBS	
UNITS	mm (INCH)	MATERIAL	STEEL		
CHAIN SIZE	081B	COATING	BLACK OXIDE		
PITCH	12.70 mm	DRAWN	SEC	08/18/2025	
INNER WIDTH	3.30 mm	CHECKED	DH	08/18/2025	
ROLLER DIA.	7.75 mm	APPROVED			
TOOTH WIDTH	3.00 mm	DATE		BY	REVISION DESCRIPTION
NUMBER OF TEETH	21	ITEM DESCRIPTION:			
HUB STYLE	B	DWG. NO.			
BORE TYPE	PLAIN BORE	PROPRIETARY AND CONFIDENTIAL		081B-21B	
BUSHING NUMBER	N/A	<small>THE INFORMATION CONTAINED IN THIS DRAWING IS THE SOLE PROPERTY OF SOLVE IMG. ANY REPRODUCTION IN PART OR AS A WHOLE WITHOUT THE WRITTEN PERMISSION OF SOLVE IMG IS PROHIBITED.</small>		SCALE	1:1
				REV	-

9 8 7 6 5 4 3 2 1