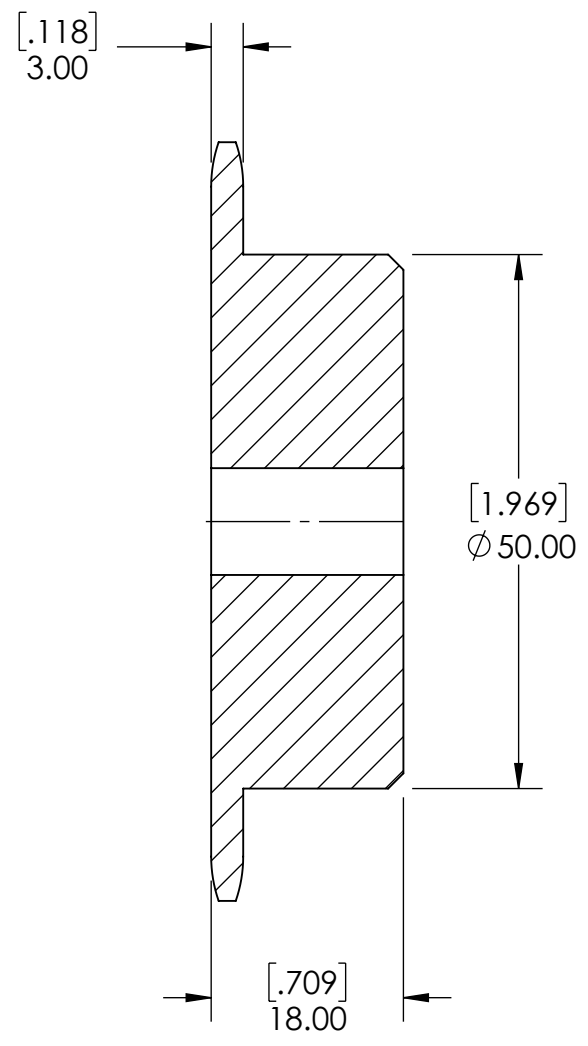
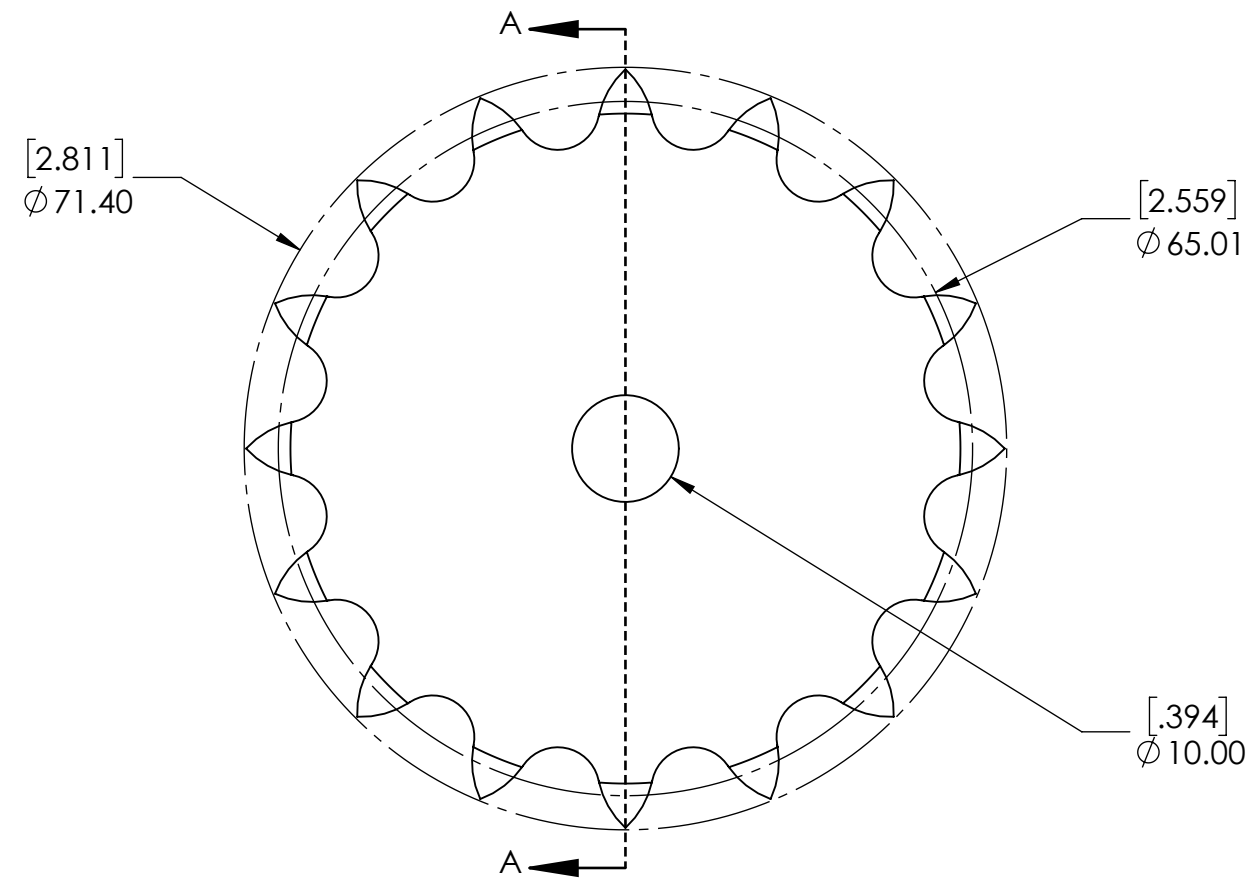


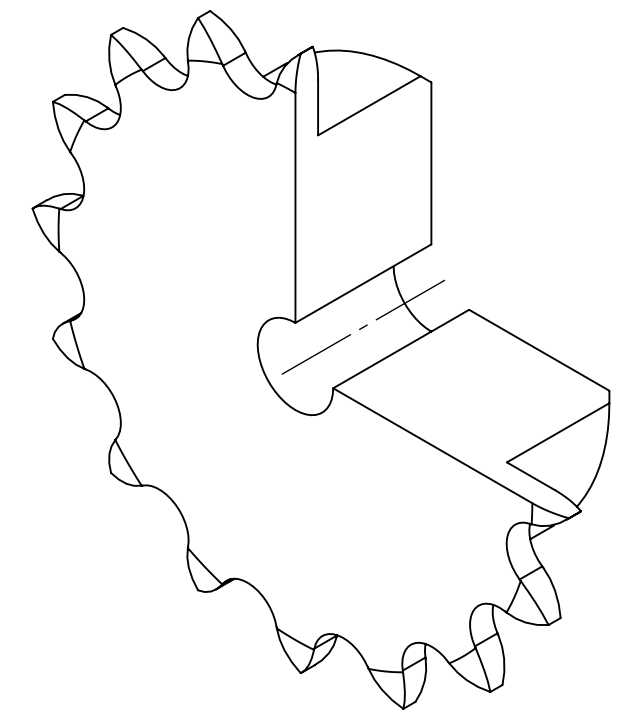
9 8 7 6 5 4 3 2 1

G
F
E
D
C
B
A

G
F
E
D
C
B
A



SECTION A-A



SPROCKETS SPECIFICATIONS		WEIGHT		DATE		BY		REVISION DESCRIPTION		REV
UNITS	mm (INCH)	0.64 LBS								SCALE
CHAIN SIZE	081B	STEEL								1:1
PITCH	12.70 mm	BLACK OXIDE		07/16/2025						REV
INNER WIDTH	3.30 mm	DRAWN		SEC						-
ROLLER DIA.	7.75 mm	CHECKED		DH						
TOOTH WIDTH	3.00 mm	APPROVED		08/14/2025						
NUMBER OF TEETH	16	THIRD ANGLE PROJECTION								
HUB STYLE	B	DWG. NO.		PTI						
BORE TYPE	PLAIN BORE	PROPRIETARY AND CONFIDENTIAL		THE INFORMATION CONTAINED IN THIS DRAWING IS THE SOLE PROPERTY OF SOLVE IMG. ANY REPRODUCTION IN PART OR AS A WHOLE WITHOUT THE WRITTEN PERMISSION OF SOLVE IMG IS PROHIBITED.						
BUSHING NUMBER	N/A	081B-16B								

9 8 7 6 5 4 3 2 1