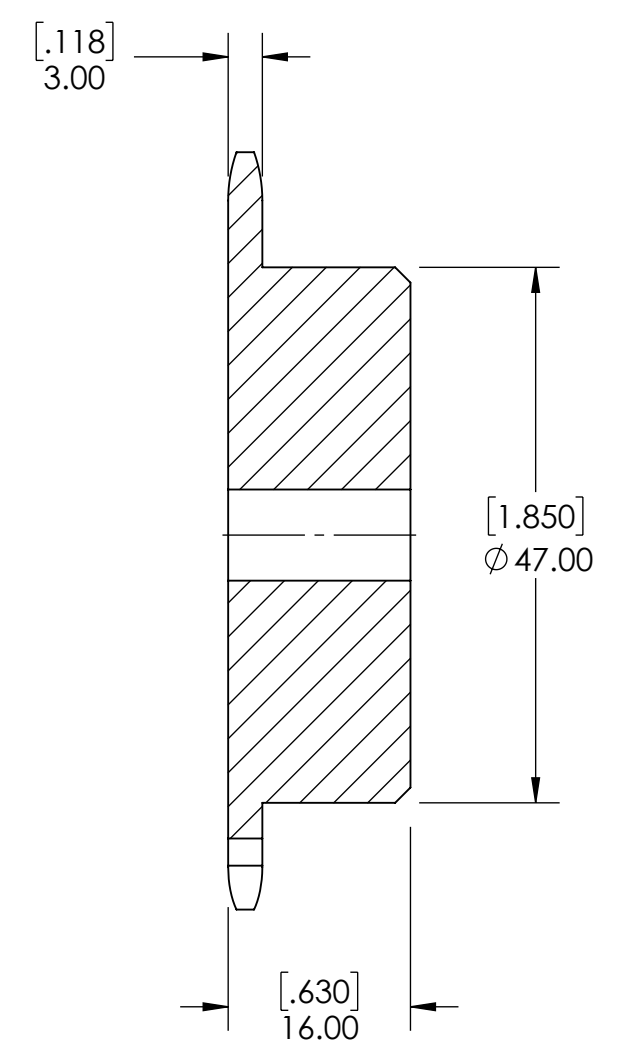
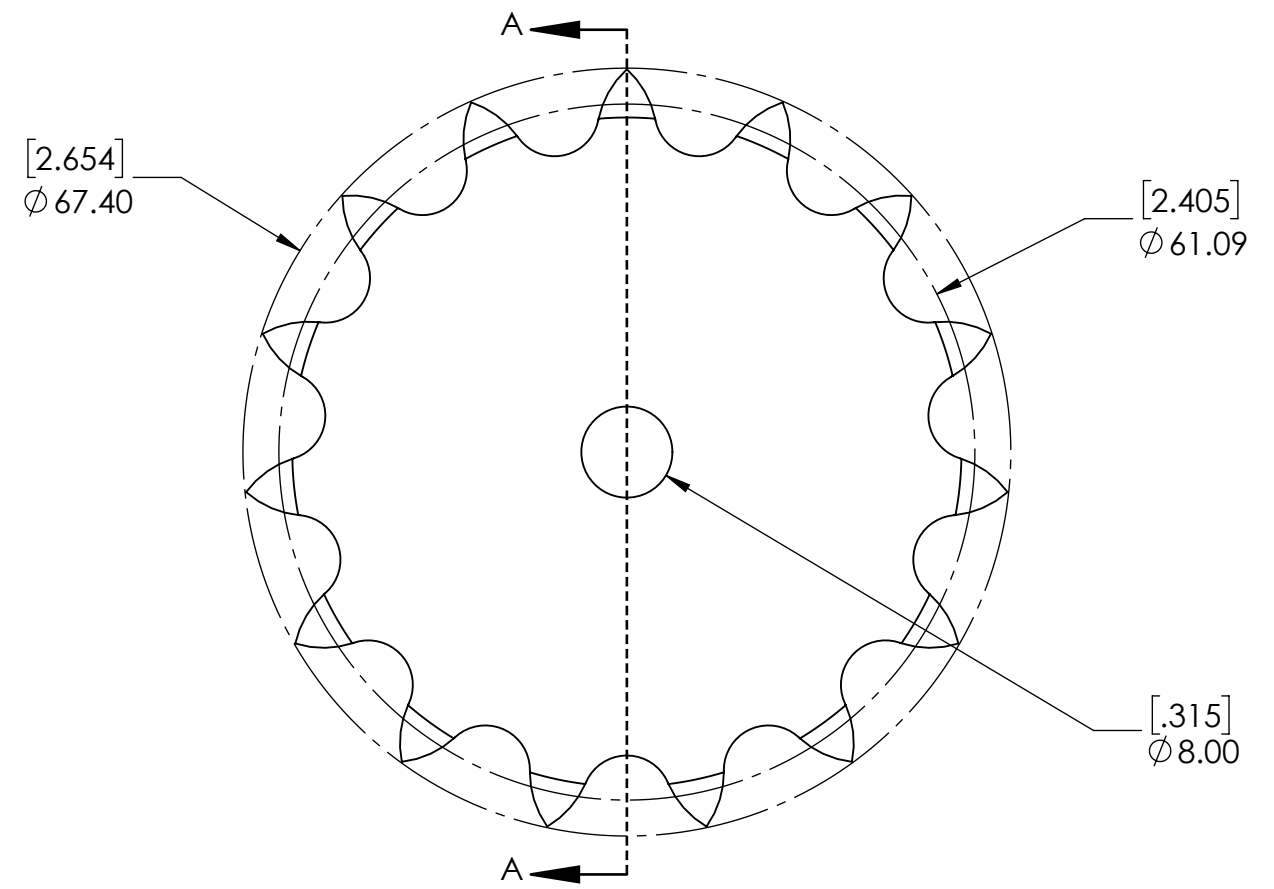


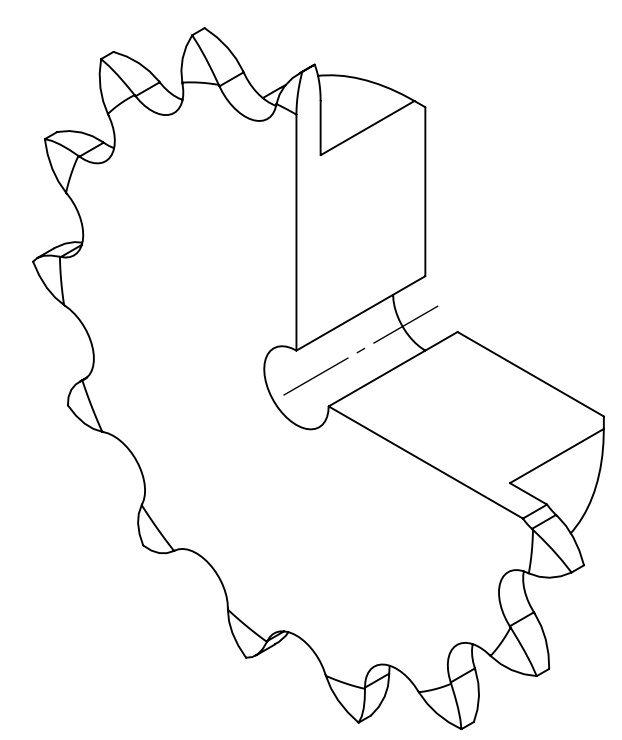
9 8 7 6 5 4 3 2 1

G
F
E
D
C
B
A

G
F
E
D
C
B
A



SECTION A-A



SPROCKETS SPECIFICATIONS		WEIGHT		0.51 LBS	
UNITS	mm (INCH)	MATERIAL	STEEL		
CHAIN SIZE	08B	COATING	BLACK OXIDE		
PITCH	12.70 mm	DRAWN	SEC	08/18/2025	
INNER WIDTH	3.30 mm	CHECKED	DH	08/18/2025	
ROLLER DIA.	7.75 mm	APPROVED			DATE
TOOTH WIDTH	3.00 mm			BY	REVISION DESCRIPTION
NUMBER OF TEETH	15			ITEM DESCRIPTION:	
HUB STYLE	B			081B-15B	
BORE TYPE	PLAIN BORE			SCALE	1:1
BUSHING NUMBER	N/A			REV	-

9 8 7 6 5 4 3 2 1