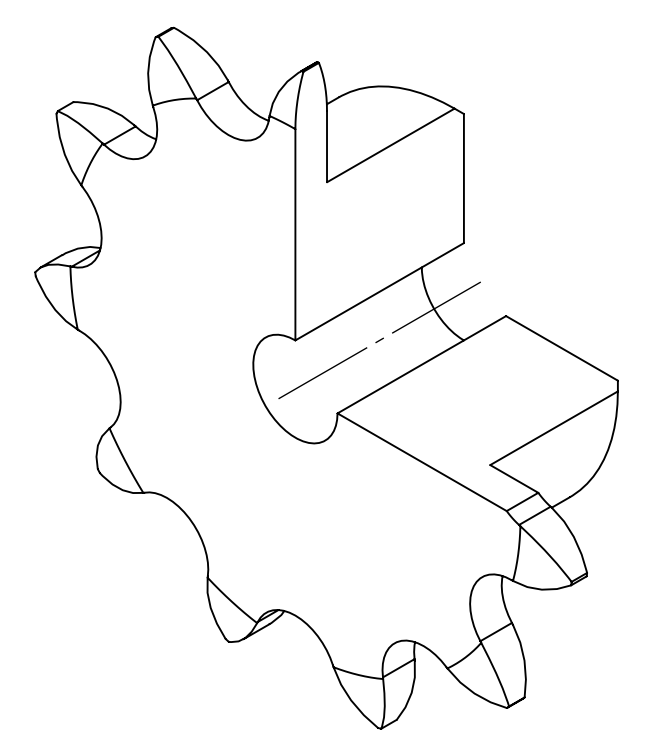
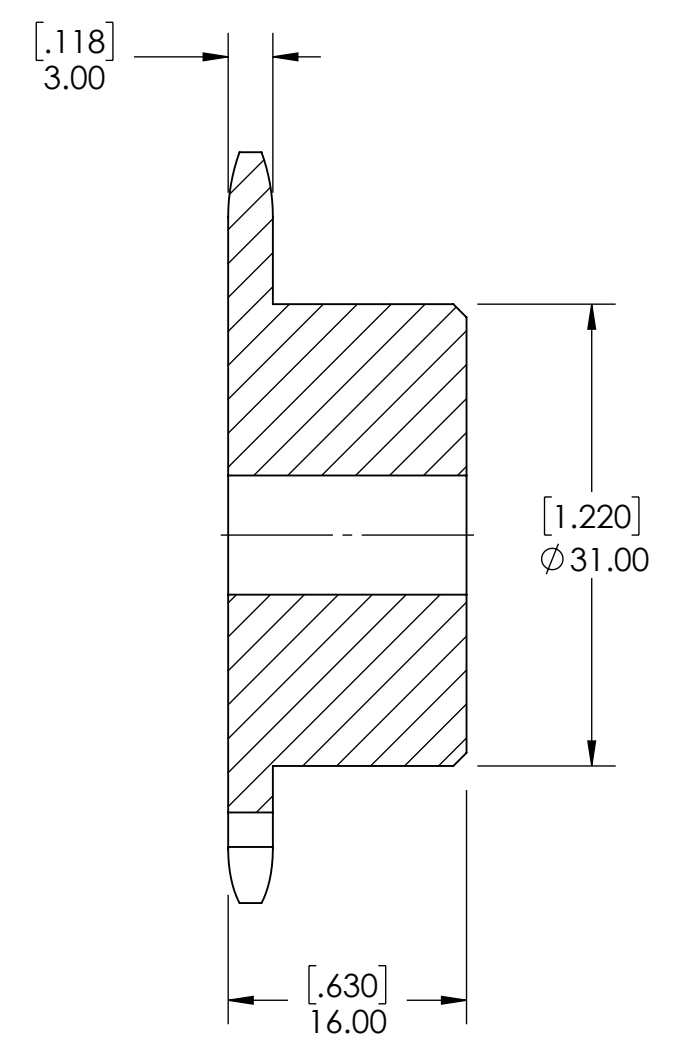
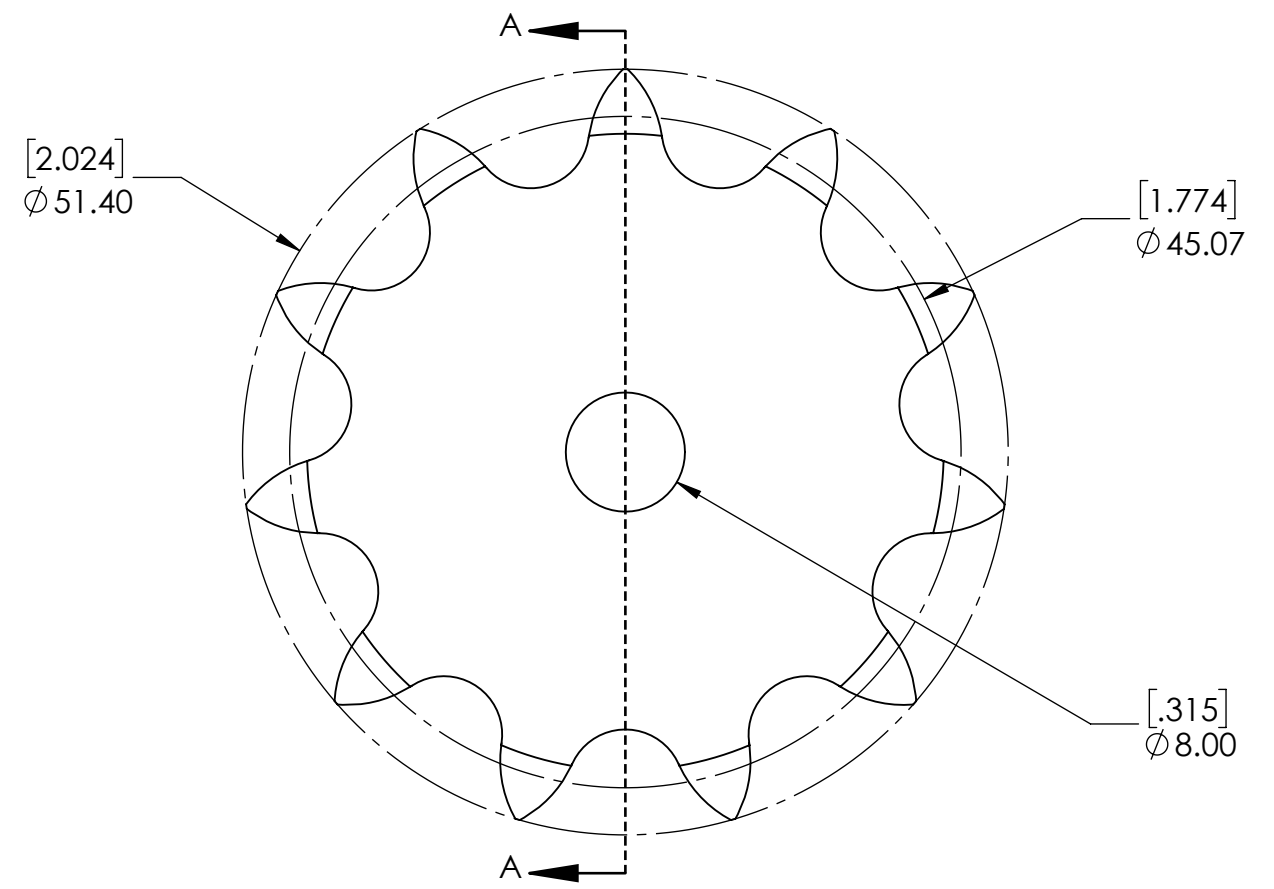


9 8 7 6 5 4 3 2 1

G F E D C B A



SECTION A-A

SPROCKETS SPECIFICATIONS		WEIGHT		DATE		BY		REVISION DESCRIPTION		REV
UNITS	mm (INCH)	0.23 LBS								
CHAIN SIZE	081B	MATERIAL	STEEL							
PITCH	12.70 mm	COATING	BLACK OXIDE							
INNER WIDTH	3.30 mm	DRAWN	SEC	08/18/2025						
ROLLER DIA.	7.75 mm	CHECKED	DH	08/18/2025						
TOOTH WIDTH	3.00 mm	APPROVED								
NUMBER OF TEETH	11									SCALE
HUB STYLE	B									1:1
BORE TYPE	PLAIN BORE	DWG. NO.								REV
BUSHING NUMBER	N/A									-
						ITEM DESCRIPTION:		081B-11B		
		<small>PROPRIETARY AND CONFIDENTIAL</small> <small>THE INFORMATION CONTAINED IN THIS DRAWING IS THE SOLE PROPERTY OF SOLVE IMG. ANY REPRODUCTION IN PART OR AS A WHOLE WITHOUT THE WRITTEN PERMISSION OF SOLVE IMG IS PROHIBITED.</small>								

9 8 7 6 5 4 3 2 1

A