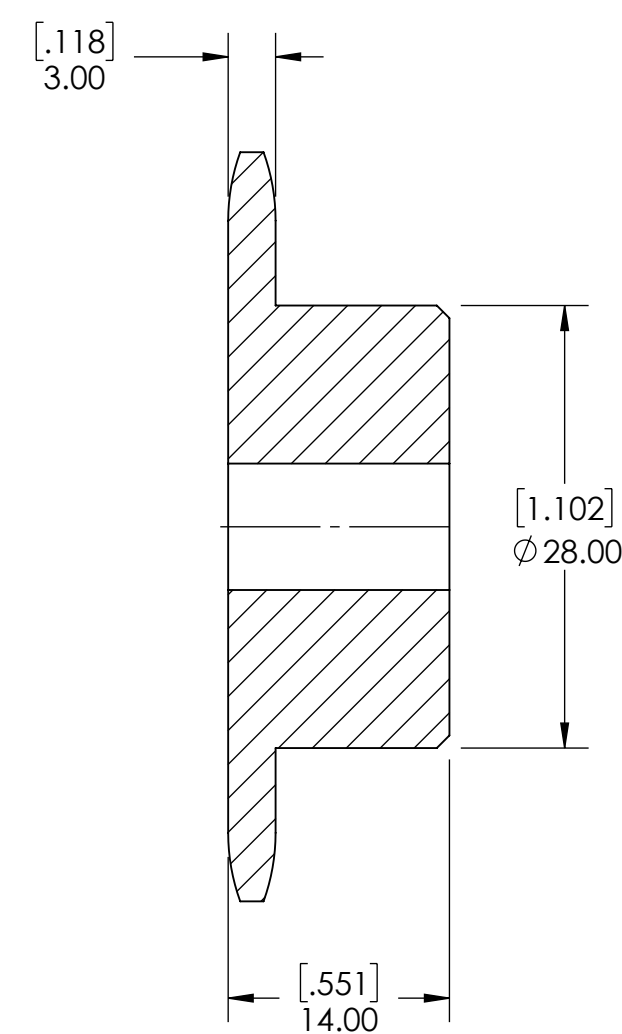
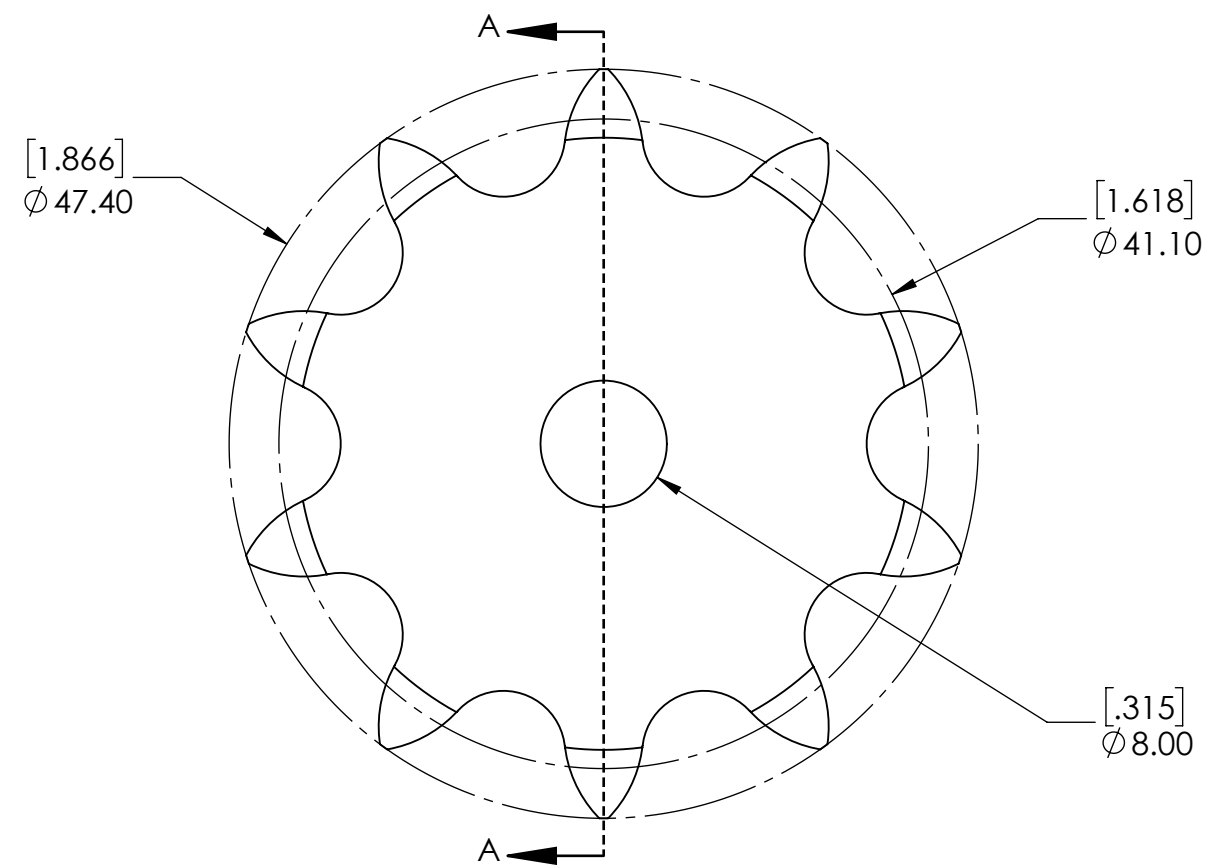


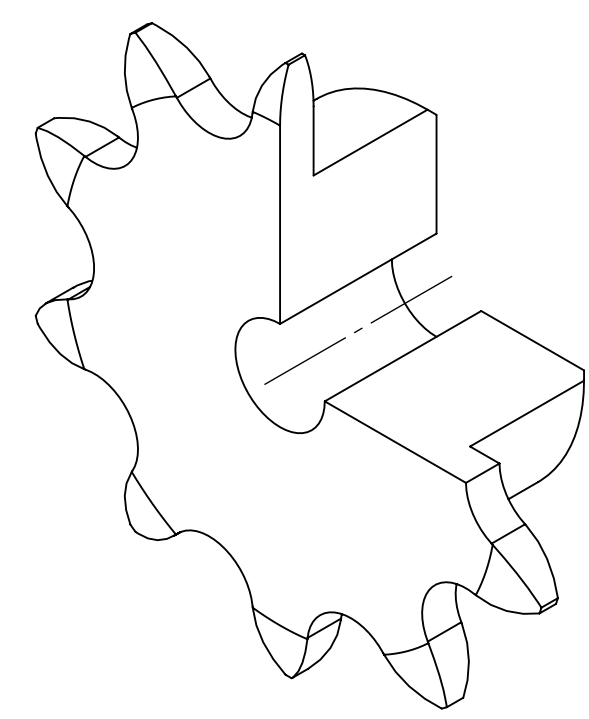
9 8 7 6 5 4 3 2 1

G
F
E
D
C
B
A

G
F
E
D
C
B
A



SECTION A-A



SPROCKETS SPECIFICATIONS		WEIGHT		0.17 LBS		
UNITS	mm (INCH)	MATERIAL	STEEL			
CHAIN SIZE	08B	COATING	BLACK OXIDE			
PITCH	12.70 mm	DRAWN	SEC	07/16/2025		
INNER WIDTH	3.30 mm	CHECKED	DH	08/14/2025		
ROLLER DIA.	7.75 mm	APPROVED				
TOOTH WIDTH	3.00 mm	DATE				BY
NUMBER OF TEETH	10	DATE		BY	REVISION DESCRIPTION	REV
HUB STYLE	B	DATE		BY	REVISION DESCRIPTION	REV
BORE TYPE	PLAIN BORE	DATE		BY	REVISION DESCRIPTION	REV
BUSHING NUMBER	N/A	DATE		BY	REVISION DESCRIPTION	REV



PROPRIETARY AND CONFIDENTIAL
THE INFORMATION CONTAINED IN THIS DRAWING IS THE SOLE PROPERTY OF SOLVE IMG. ANY REPRODUCTION IN PART OR AS A WHOLE WITHOUT THE WRITTEN PERMISSION OF SOLVE IMG IS PROHIBITED.

DATE BY REVISION DESCRIPTION

ITEM DESCRIPTION: 081B-10B

SCALE 1:1

REV -

9 8 7 6 5 4 3 2 1