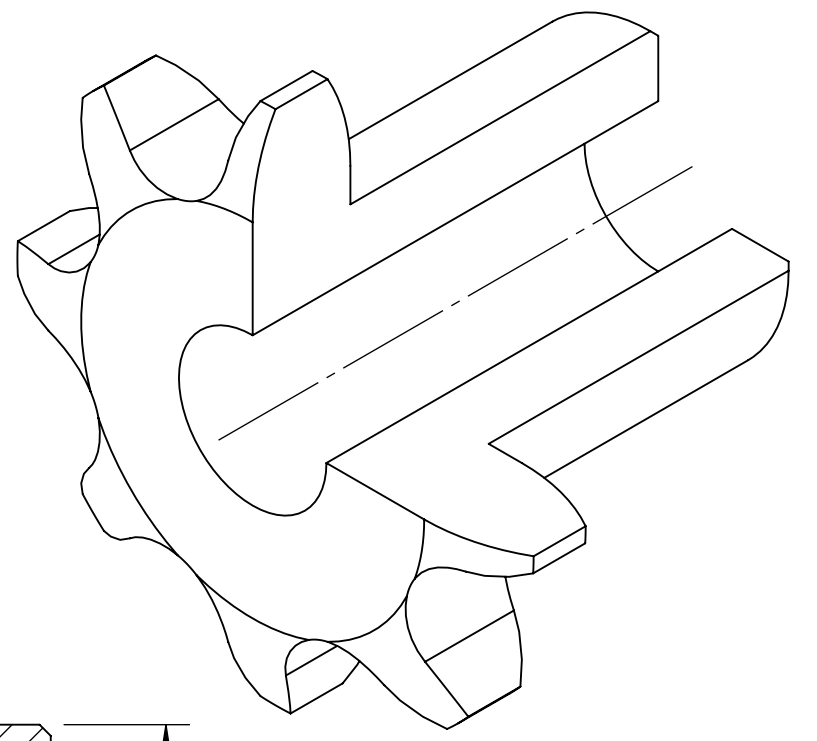
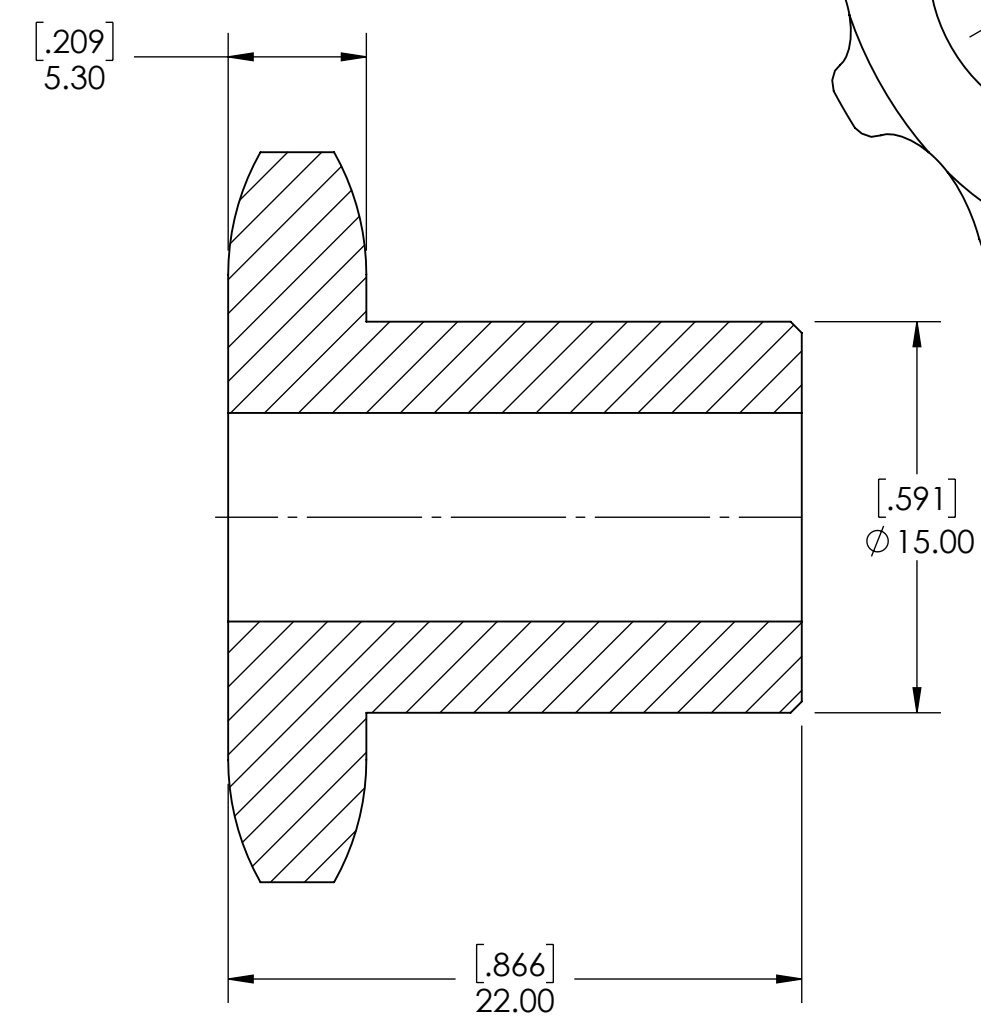
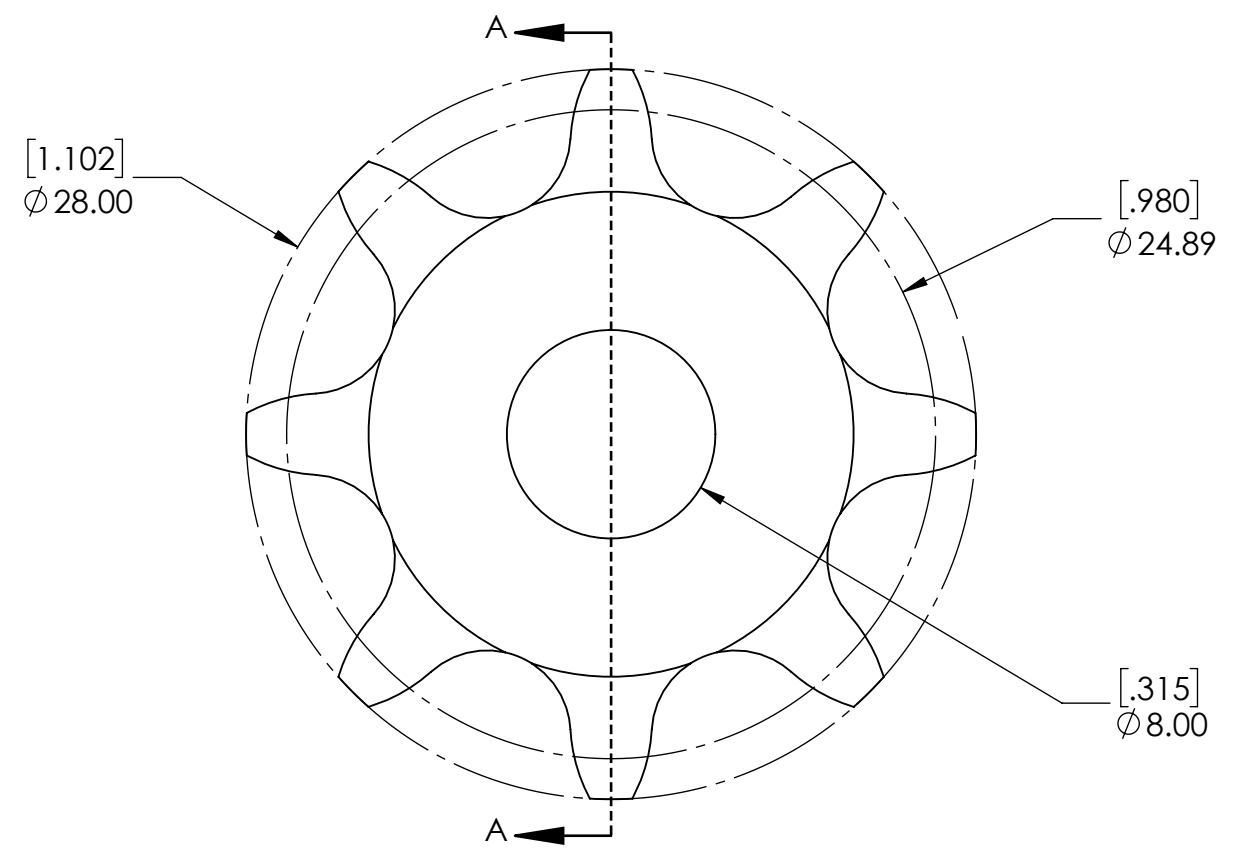


9 8 7 6 5 4 3 2 1

G F E D C B A



SECTION A-A

A B C D E F G

9 8 7 6 5 4 3 2 1

SPROCKETS SPECIFICATIONS		WEIGHT		0.07 LBS					
UNITS	mm (INCH)	MATERIAL		STEEL					
CHAIN SIZE	06B	COATING		BLACK OXIDE					
PITCH	9.525 mm	DRAWN		SEC	07/16/2025				
INNER WIDTH	5.72 mm	CHECKED		EG	07/17/2025				
ROLLER DIA.	6.35 mm	APPROVED				DATE	BY	REVISION DESCRIPTION	
TOOTH WIDTH	5.30 mm								
NUMBER OF TEETH	8								
HUB STYLE	B	DWG. NO.		PTI <small>INDUSTRIAL MOTION GROUP</small>				ITEM DESCRIPTION:	
BORE TYPE	PLAIN BORE			PROPRIETARY AND CONFIDENTIAL <small>THE INFORMATION CONTAINED IN THIS DRAWING IS THE SOLE PROPERTY OF SOLVE IMG. ANY REPRODUCTION IN PART OR AS A WHOLE WITHOUT THE WRITTEN PERMISSION OF SOLVE IMG IS PROHIBITED.</small>		06B-8B		REV 1:1	
BUSHING NUMBER	N/A							REV -	