

9 8 7 6 5 4 3 2 1

G

F

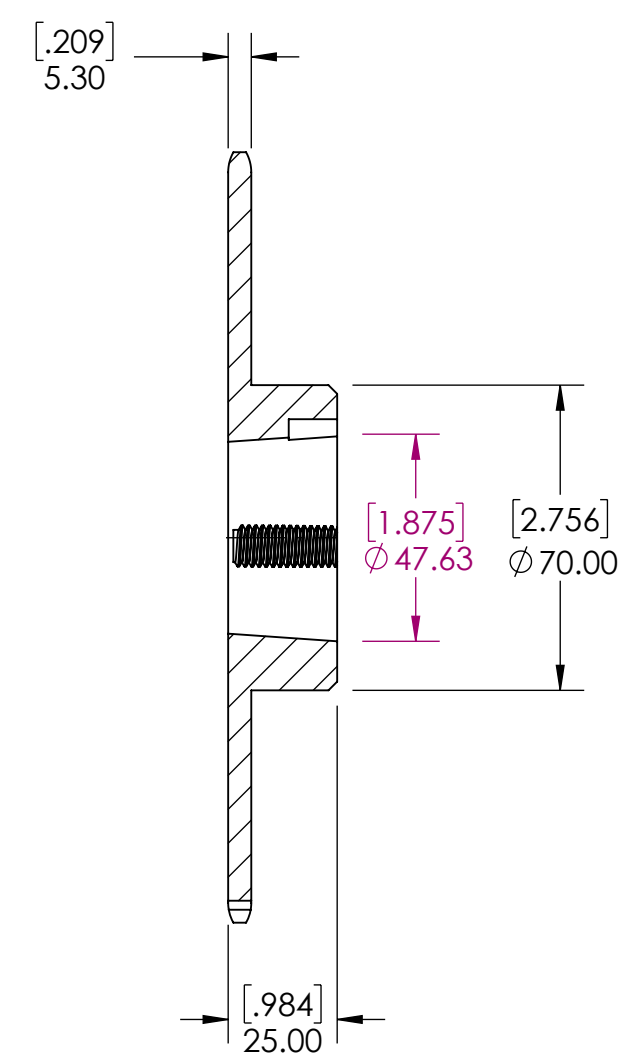
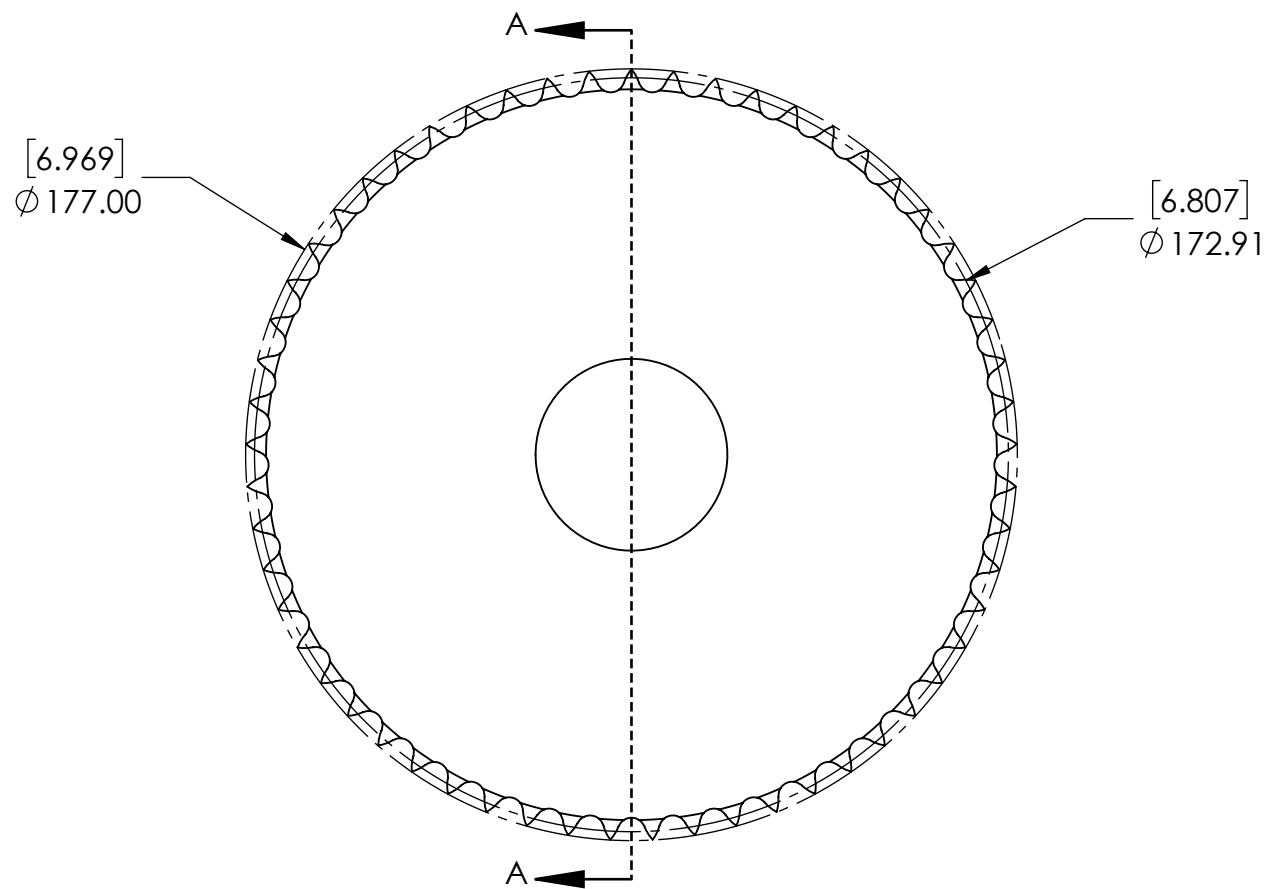
E

D

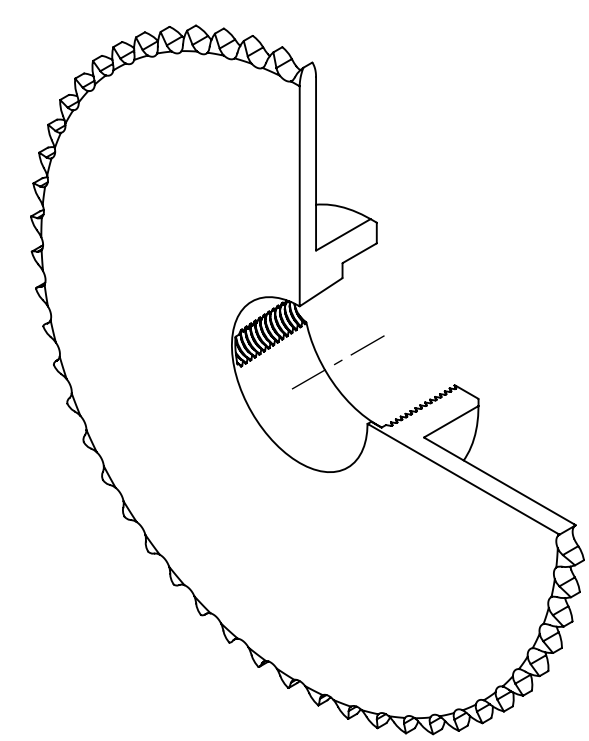
C

B

A



SECTION A-A



SPROCKETS SPECIFICATIONS		WEIGHT		DATE		BY		REVISION DESCRIPTION		REV
UNITS	mm (INCH)	2.64 LBS								SCALE
CHAIN SIZE	06B	STEEL								1:1
PITCH	9.525 mm	BLACK OXIDE		07/29/2025						REV
INNER WIDTH	5.72 mm	DRAWN SEC		EG						-
ROLLER DIA.	6.35 mm	CHECKED EG		07/29/2025						
TOOTH WIDTH	5.30 mm	APPROVED								
NUMBER OF TEETH	57	THIRD ANGLE PROJECTION								
HUB STYLE	B	DWG. NO.								
BORE TYPE	FOR TAPER BUSHING	PROPRIETARY AND CONFIDENTIAL								
BUSHING NUMBER	1210	THE INFORMATION CONTAINED IN THIS DRAWING IS THE SOLE PROPERTY OF SOLVE IMG. ANY REPRODUCTION IN PART OR AS A WHOLE WITHOUT THE WRITTEN PERMISSION OF SOLVE IMG IS PROHIBITED.								
				ITEM DESCRIPTION:		06B-57TL-1210				

9 8 7 6 5 4 3 2 1