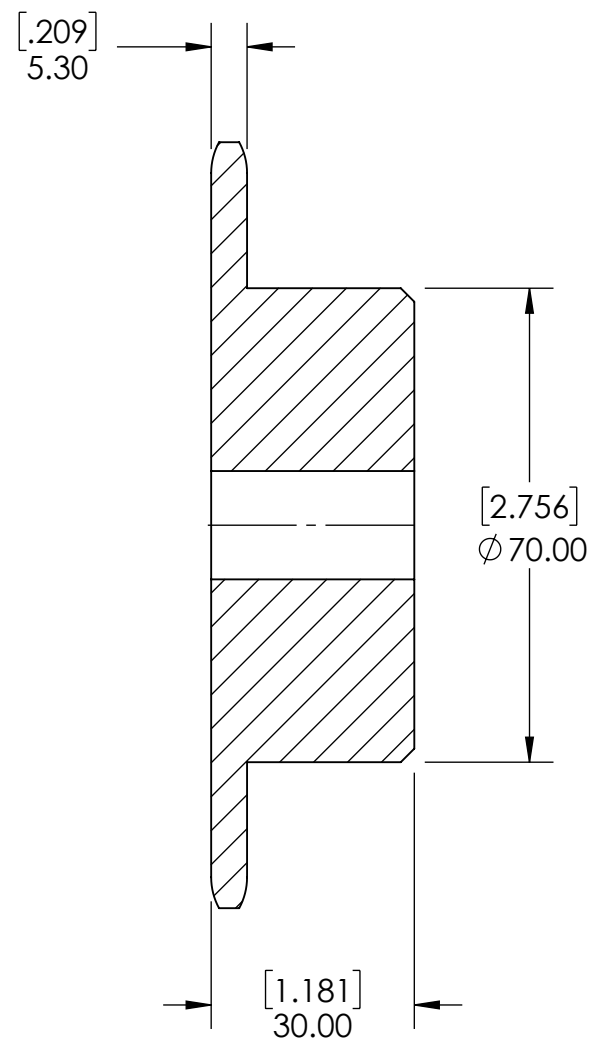
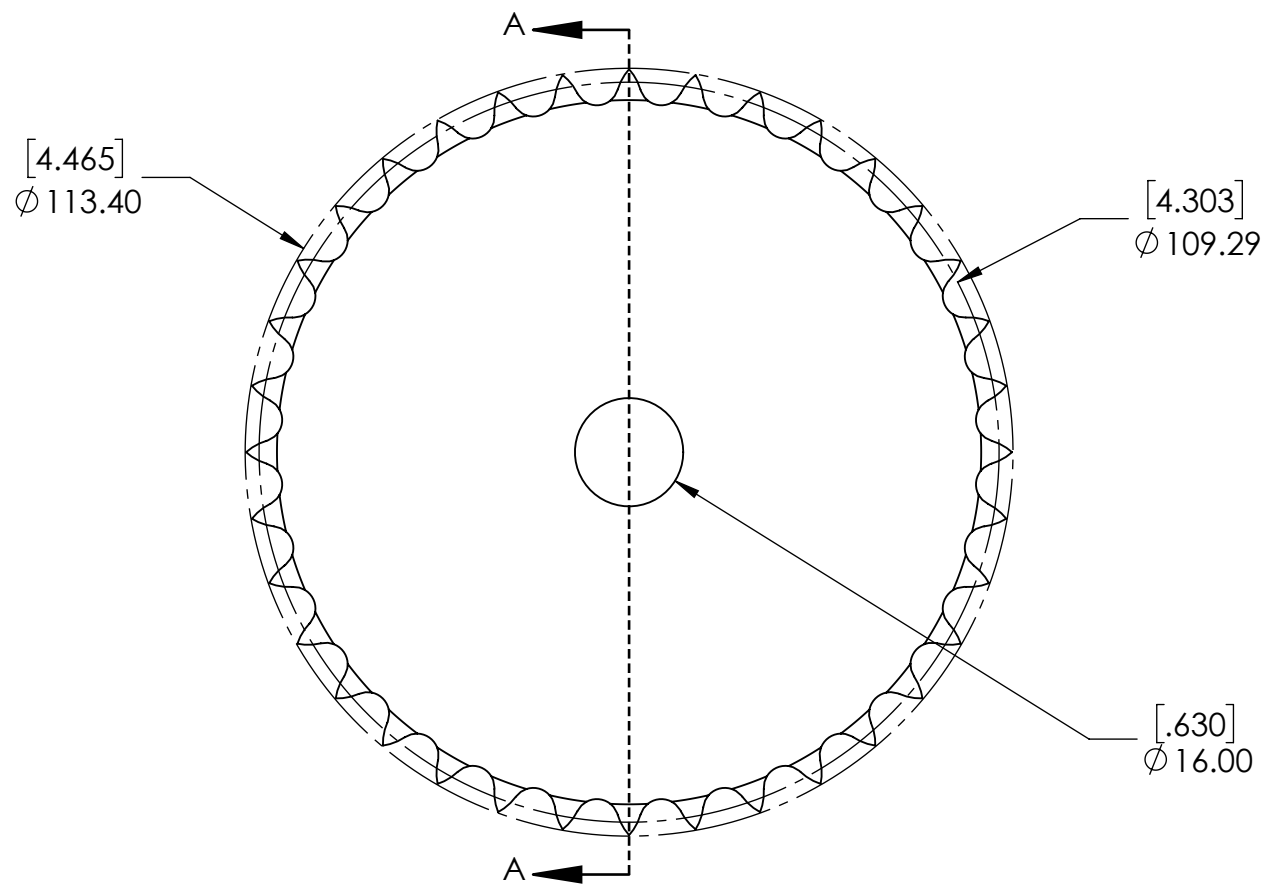


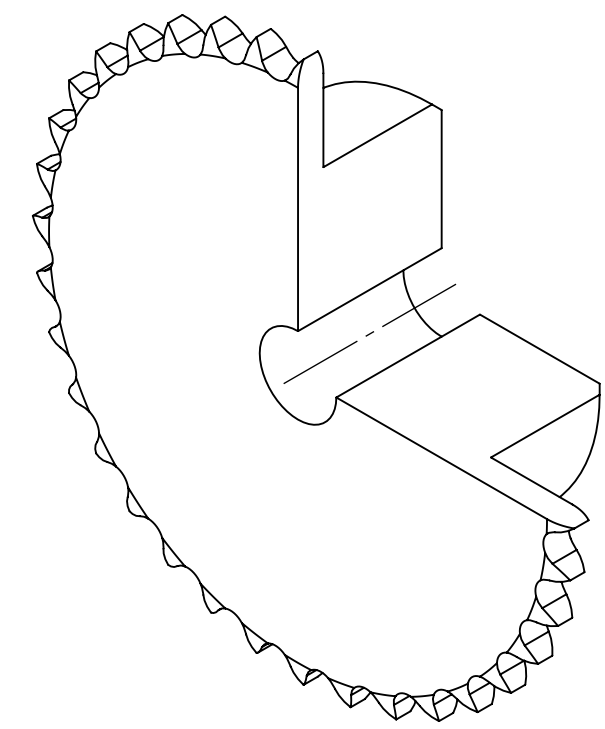
9 8 7 6 5 4 3 2 1

G
F
E
D
C
B
A

G
F
E
D
C
B
A



SECTION A-A



SPROCKETS SPECIFICATIONS		WEIGHT		DATE		BY		REVISION DESCRIPTION		REV
UNITS	mm (INCH)	2.35 LBS								
CHAIN SIZE	06B	MATERIAL	STEEL							
PITCH	9.525 mm	COATING	BLACK OXIDE	DRAWN	SEC	07/16/2025				
INNER WIDTH	5.72 mm	CHECKED	EG	07/17/2025						
ROLLER DIA.	6.35 mm	APPROVED								
TOOTH WIDTH	5.30 mm									
NUMBER OF TEETH	36									
HUB STYLE	B	DWG. NO.		PROPRIETARY AND CONFIDENTIAL		ITEM DESCRIPTION:		06B-36B		SCALE
BORE TYPE	PLAIN BORE			THE INFORMATION CONTAINED IN THIS DRAWING IS THE SOLE PROPERTY OF SOLVE IMG. ANY REPRODUCTION IN PART OR AS A WHOLE WITHOUT THE WRITTEN PERMISSION OF SOLVE IMG IS PROHIBITED.						1:1
BUSHING NUMBER	N/A									REV
										-

9 8 7 6 5 4 3 2 1