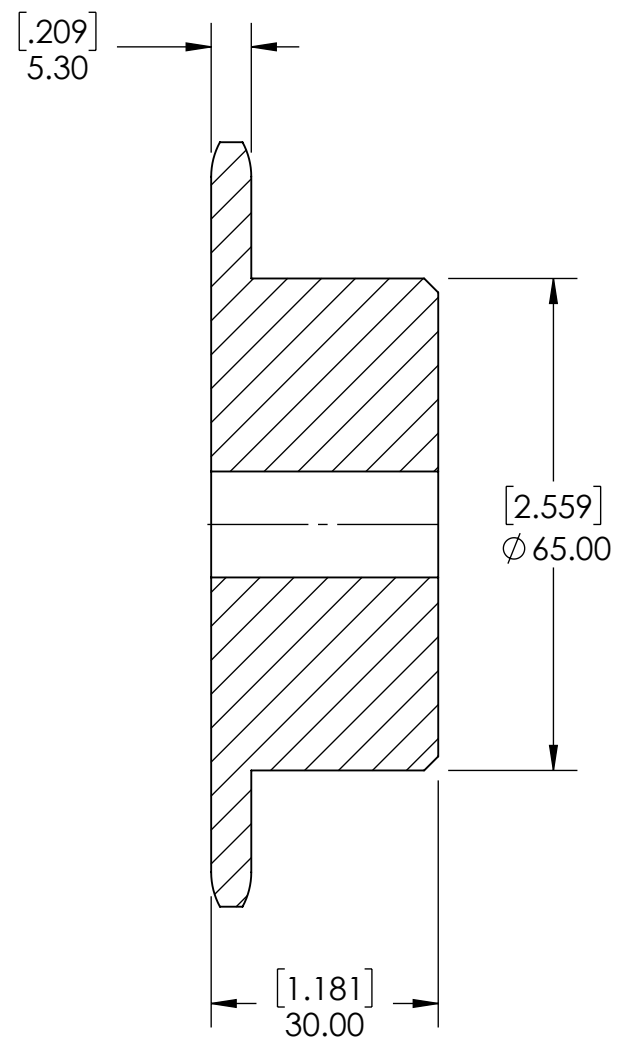
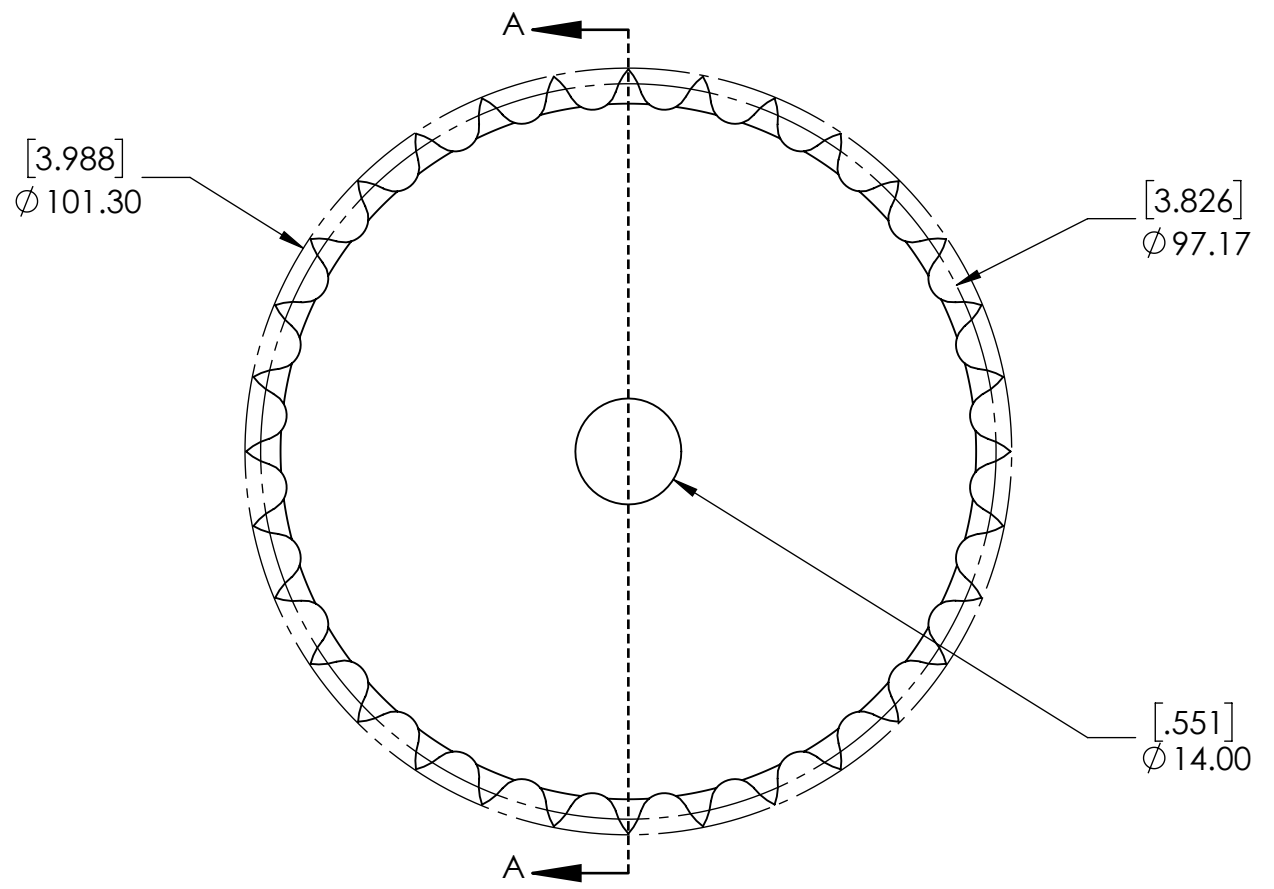


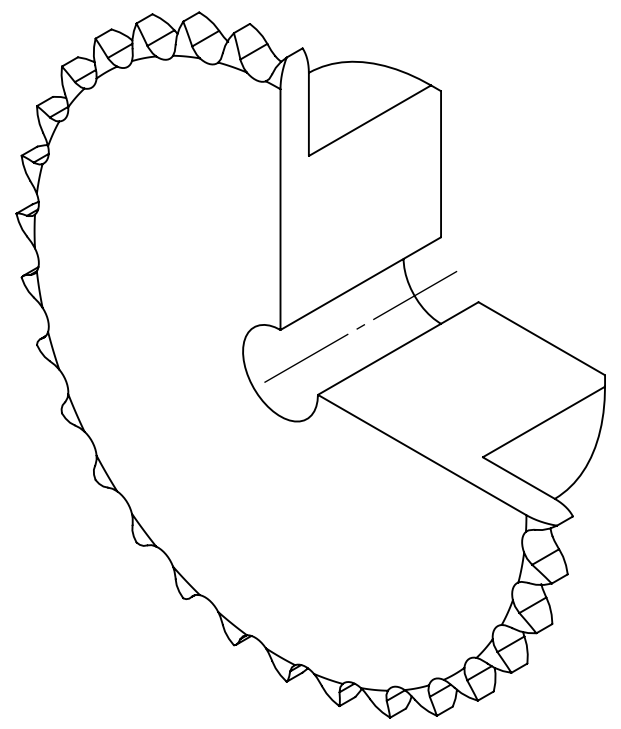
9 8 7 6 5 4 3 2 1

G  
F  
E  
D  
C  
B  
A

G  
F  
E  
D  
C  
B  
A



SECTION A-A



SPROCKETS SPECIFICATIONS		WEIGHT		1.97 LBS		
UNITS	mm (INCH)	MATERIAL	STEEL			
CHAIN SIZE	06B	COATING	BLACK OXIDE			
PITCH	9.525 mm	DRAWN	SEC	07/16/2025		
INNER WIDTH	5.72 mm	CHECKED	EG	07/17/2025		
ROLLER DIA.	6.35 mm	APPROVED				
TOOTH WIDTH	5.30 mm	DATE				BY
NUMBER OF TEETH	32	DATE		BY	REVISION DESCRIPTION	
HUB STYLE	B	DATE		BY	REVISION DESCRIPTION	
BORE TYPE	PLAIN BORE	DATE		BY	REVISION DESCRIPTION	
BUSHING NUMBER	N/A	DATE		BY	REVISION DESCRIPTION	
				DATE: _____ BY: _____		
DWG. NO. _____		PROPRIETARY AND CONFIDENTIAL <small>THE INFORMATION CONTAINED IN THIS DRAWING IS THE SOLE PROPERTY OF SOLVE IMG. ANY REPRODUCTION IN PART OR AS A WHOLE WITHOUT THE WRITTEN PERMISSION OF SOLVE IMG IS PROHIBITED.</small>		ITEM DESCRIPTION: <b>06B-32B</b>		
				SCALE: 1:1		
				REV: -		

9 8 7 6 5 4 3 2 1