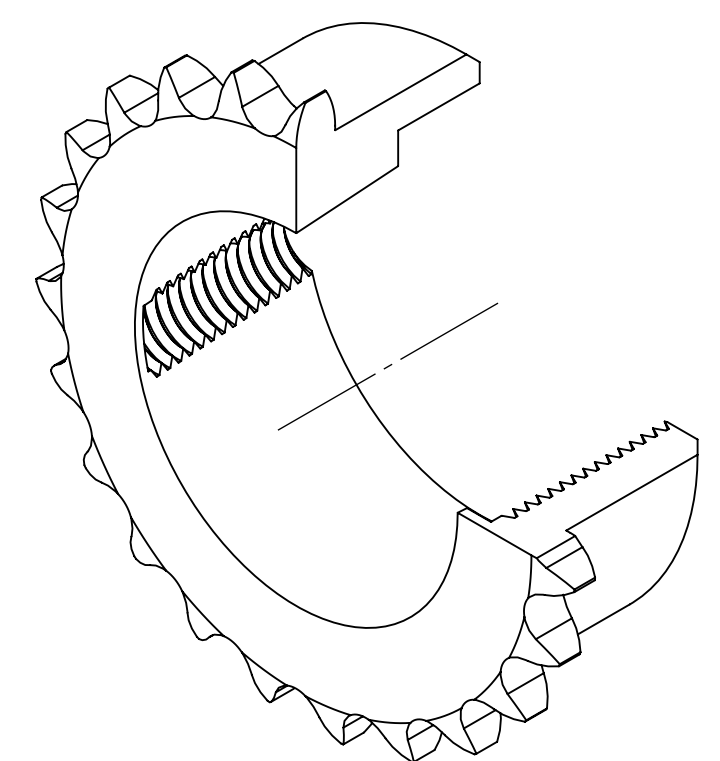
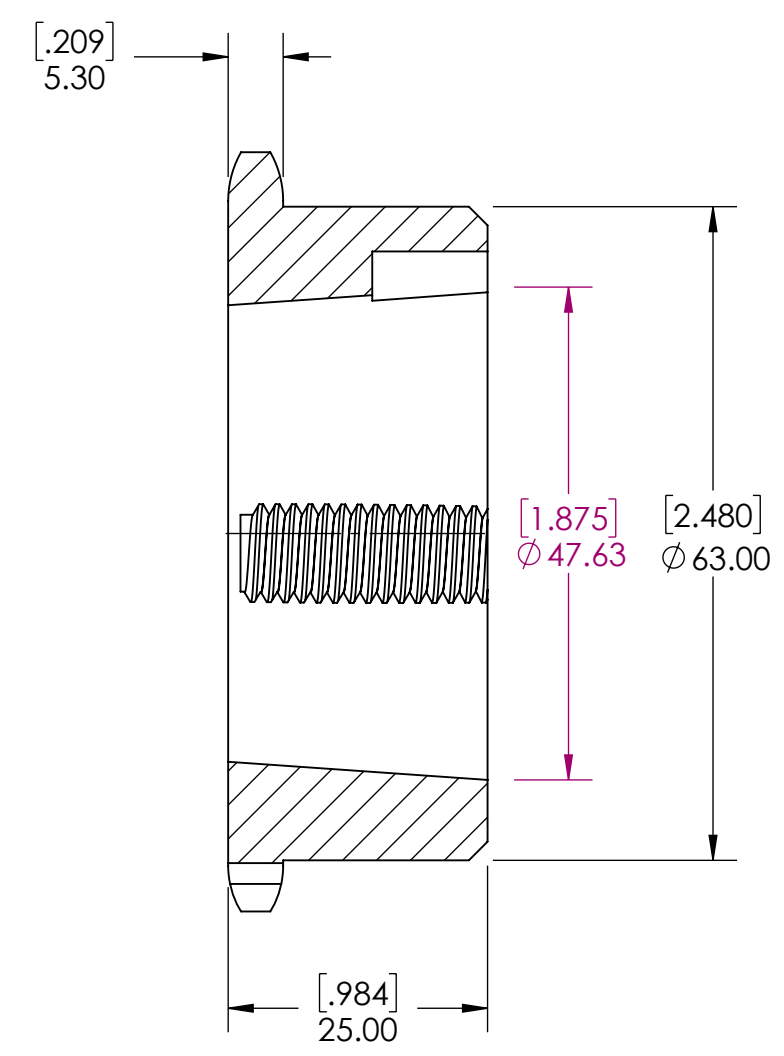
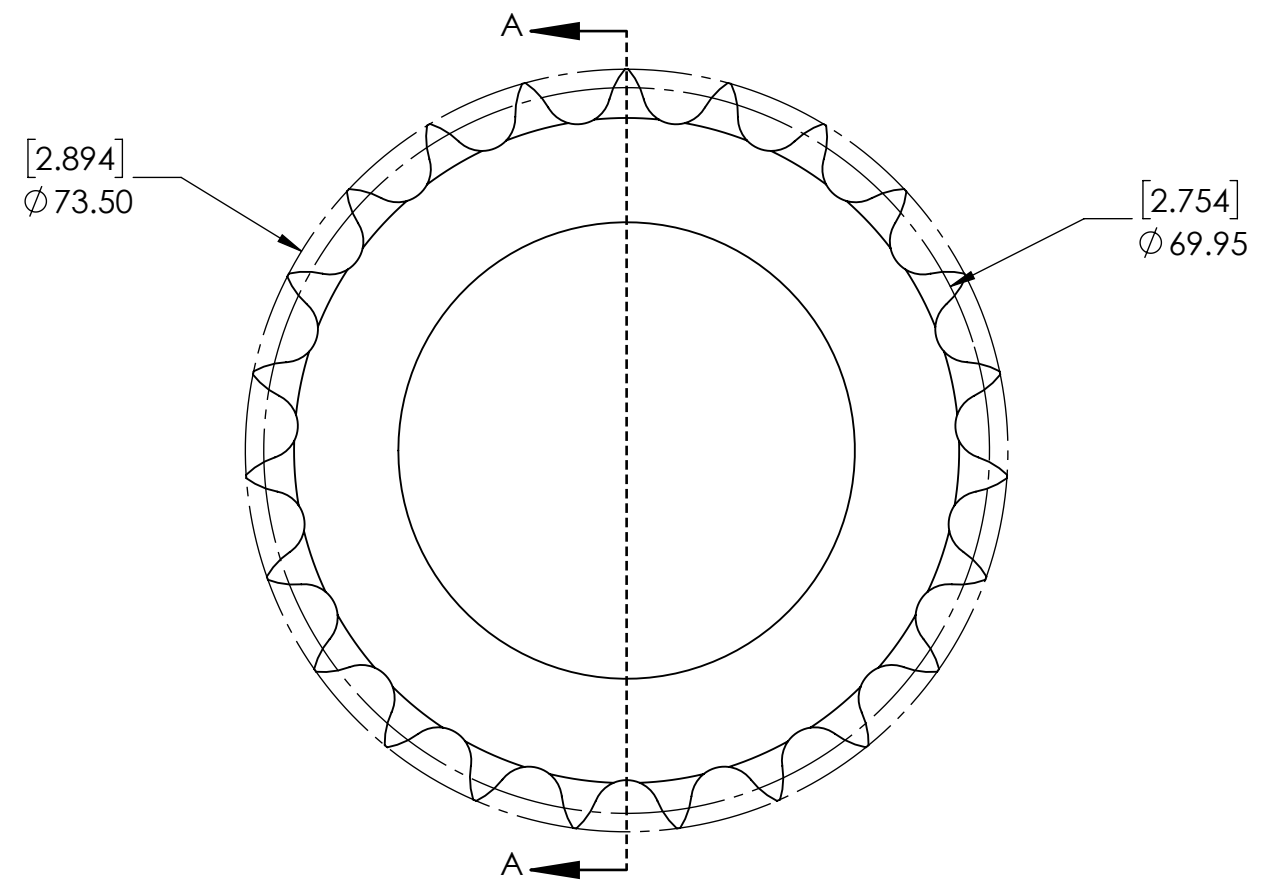


9 8 7 6 5 4 3 2 1

G  
F  
E  
D  
C  
B  
A

G  
F  
E  
D  
C  
B  
A



SECTION A-A

NOTES:  
1. HARDENED TEETH.

SPROCKETS SPECIFICATIONS		WEIGHT		DATE		BY		REVISION DESCRIPTION		REV
UNITS	mm (INCH)	0.64 LBS								
CHAIN SIZE	06B	MATERIAL	STEEL							
PITCH	9.525 mm	COATING	BLACK OXIDE	SEC 07/16/2025						
INNER WIDTH	5.72 mm	DRAWN	EG	07/17/2025						
ROLLER DIA.	6.35 mm	CHECKED	EG							
TOOTH WIDTH	5.30 mm	APPROVED								
NUMBER OF TEETH	23	THIRD ANGLE PROJECTION								
HUB STYLE	B	DWG. NO.		06B-23HTL-1210						
BORE TYPE	FOR TAPER BUSHING	PROPRIETARY AND CONFIDENTIAL		ITEM DESCRIPTION:						
BUSHING NUMBER	1210	THE INFORMATION CONTAINED IN THIS DRAWING IS THE SOLE PROPERTY OF SOLVE IMG. ANY REPRODUCTION IN PART OR AS A WHOLE WITHOUT THE WRITTEN PERMISSION OF SOLVE IMG IS PROHIBITED.		06B-23HTL-1210						
										SCALE
										1:1
										REV
										-

9 8 7 6 5 4 3 2 1