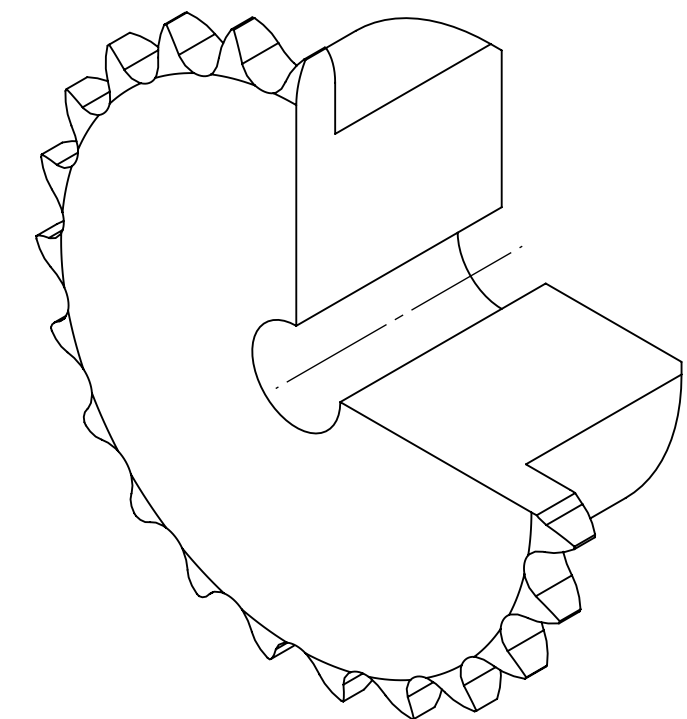
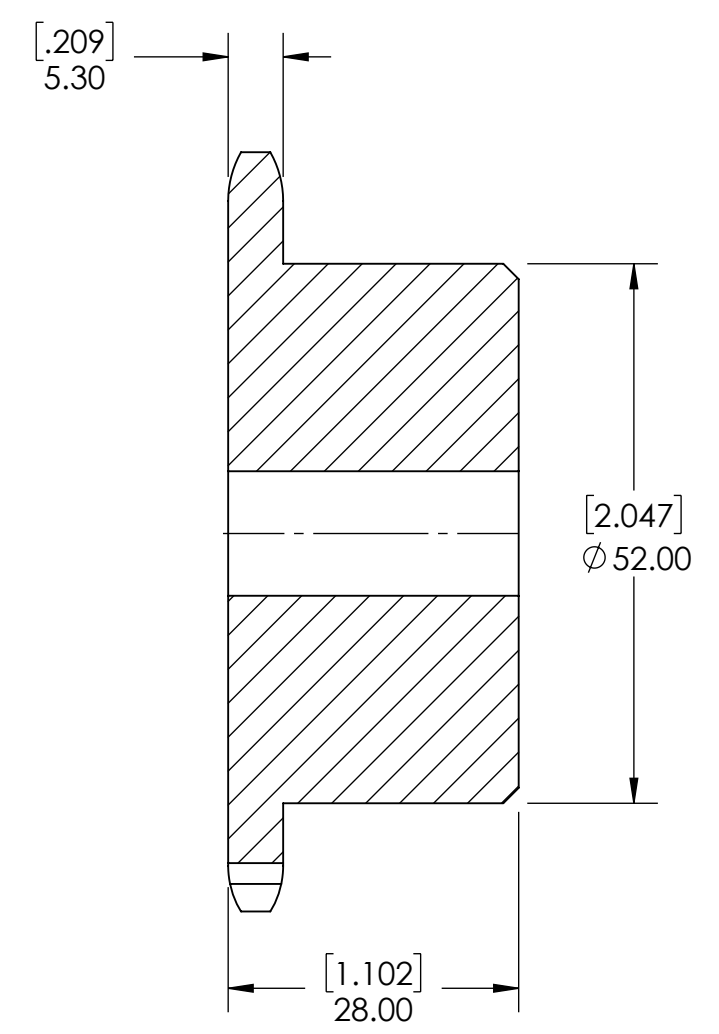
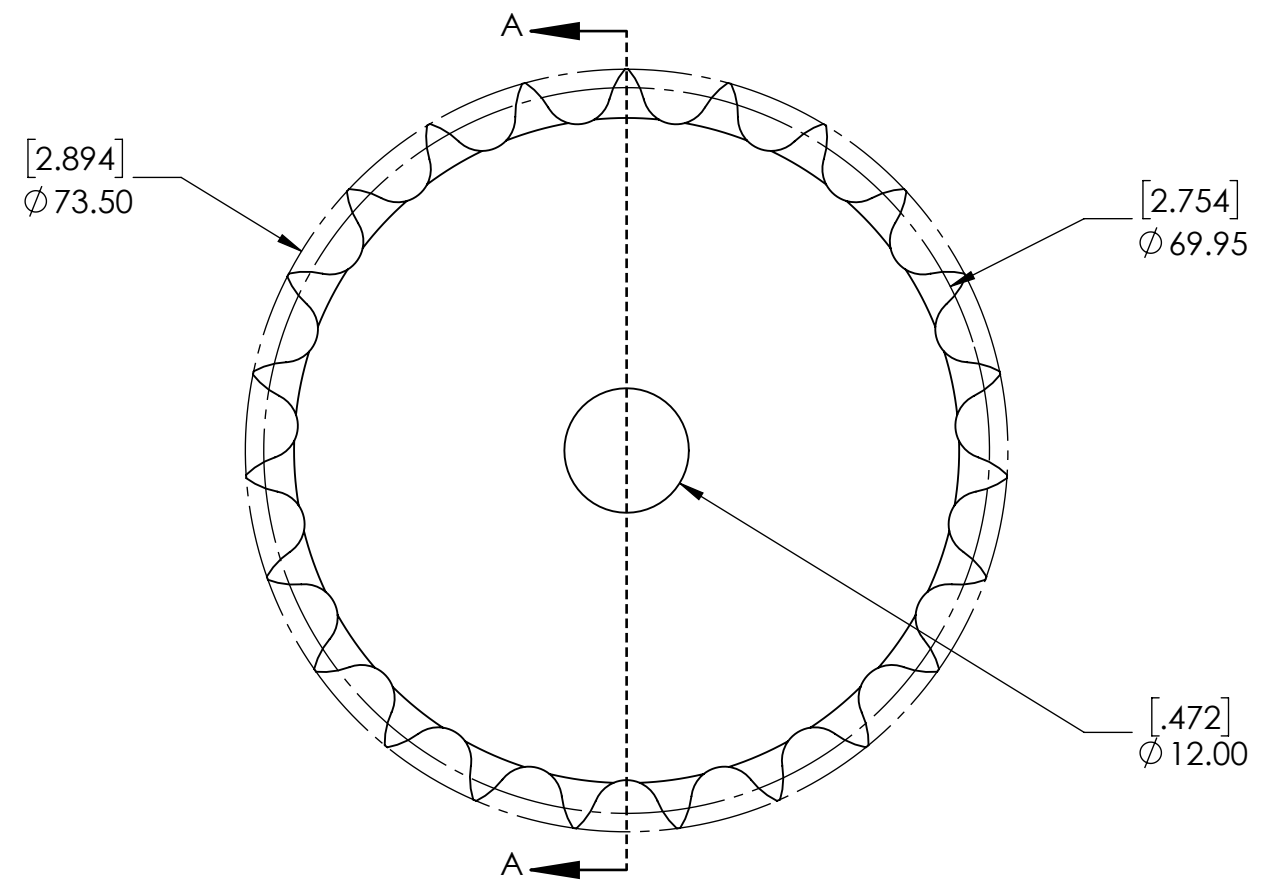


9 8 7 6 5 4 3 2 1

G
F
E
D
C
B
A

G
F
E
D
C
B
A



SECTION A-A

SPROCKETS SPECIFICATIONS		WEIGHT		1.12 LBS				
UNITS	mm (INCH)	MATERIAL	STAINLESS STEEL					
CHAIN SIZE	06B	COATING	N/A					
PITCH	9.525 mm	DRAWN	SEC	07/16/2025				
INNER WIDTH	5.72 mm	CHECKED	EG	07/17/2025				
ROLLER DIA.	6.35 mm	APPROVED			DATE	BY	REVISION DESCRIPTION	REV
TOOTH WIDTH	5.30 mm		ITEM DESCRIPTION:					SCALE
NUMBER OF TEETH	23		06B-23BSS					1:1
HUB STYLE	B	DWG. NO.		PROPRIETARY AND CONFIDENTIAL <small>THE INFORMATION CONTAINED IN THIS DRAWING IS THE SOLE PROPERTY OF SOLVE IMG. ANY REPRODUCTION IN PART OR AS A WHOLE WITHOUT THE WRITTEN PERMISSION OF SOLVE IMG IS PROHIBITED.</small>				REV
BORE TYPE	PLAIN BORE							-
BUSHING NUMBER	N/A							

9 8 7 6 5 4 3 2 1