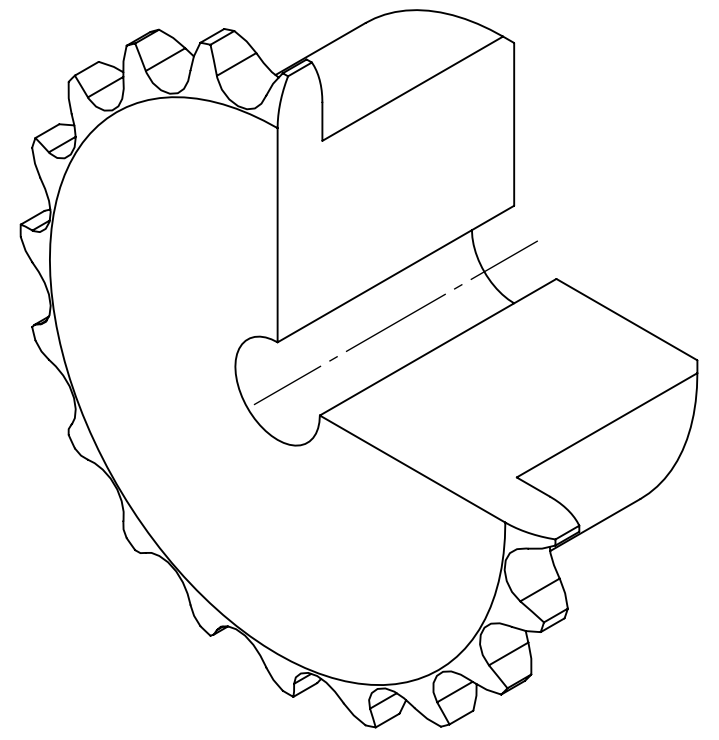
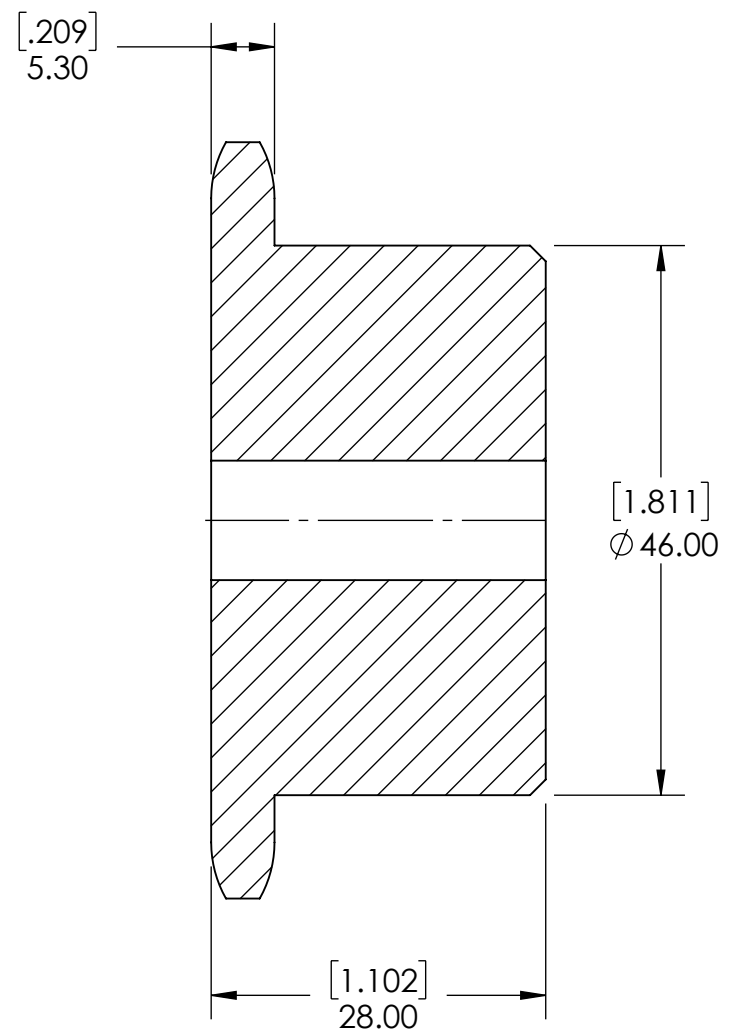
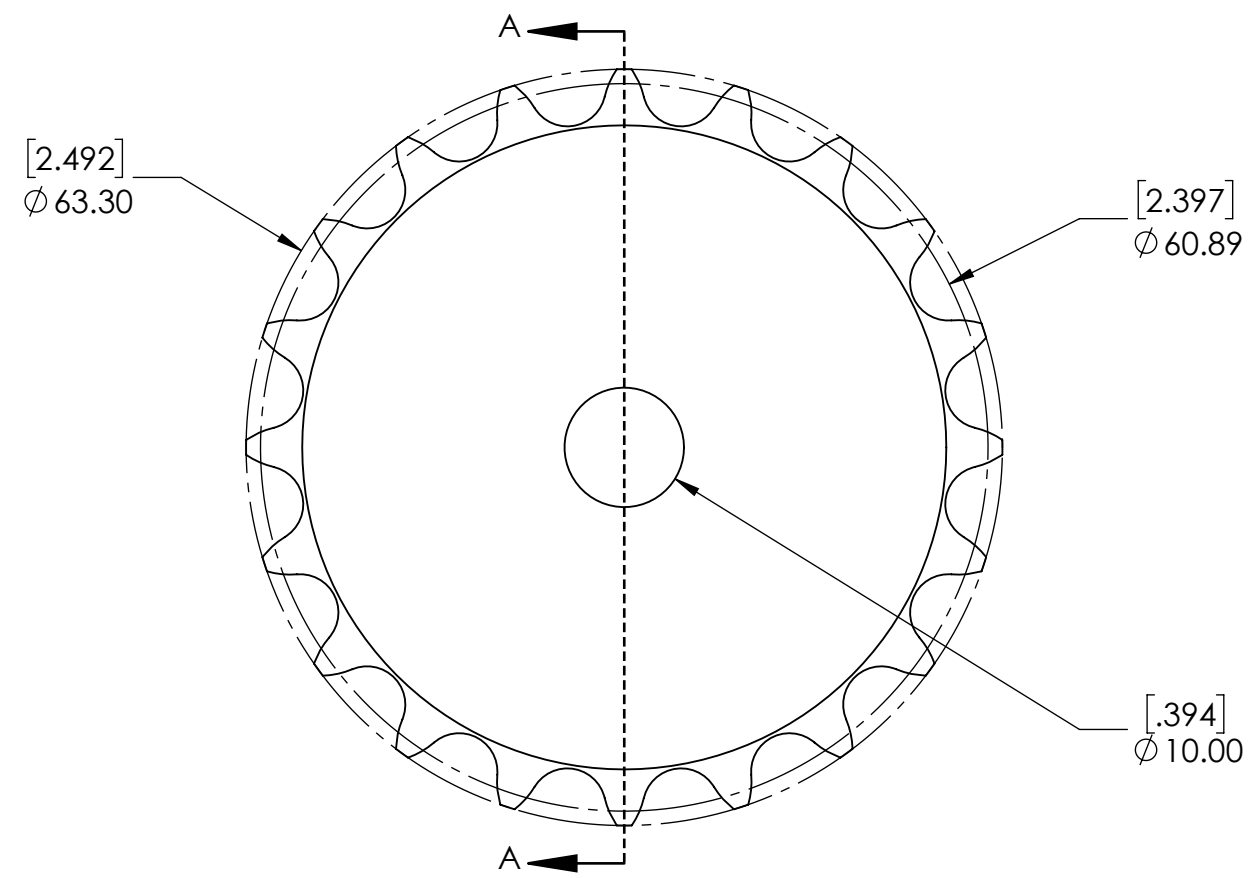


9 8 7 6 5 4 3 2 1


G  
F  
E  
D  
C  
B  
A

G  
F  
E  
D  
C  
B  
A



SECTION A-A

NOTES:  
1. HARDENED TEETH.

SPROCKETS SPECIFICATIONS		WEIGHT		0.85 LBS	
UNITS	mm (INCH)	MATERIAL	STEEL		
CHAIN SIZE	06B	COATING	BLACK OXIDE		
PITCH	9.525 mm	DRAWN	SEC	07/16/2025	
INNER WIDTH	5.72 mm	CHECKED	EG	07/16/2025	
ROLLER DIA.	6.35 mm	APPROVED			
TOOTH WIDTH	5.30 mm	DATE	BY	REVISION DESCRIPTION	
NUMBER OF TEETH	20	ITEM DESCRIPTION:			REV
HUB STYLE	B	06B-20BH			1:1
BORE TYPE	PLAIN BORE				
BUSHING NUMBER	N/A				



PROPRIETARY AND CONFIDENTIAL  
THE INFORMATION CONTAINED IN THIS DRAWING IS THE SOLE PROPERTY OF SOLVE IMG. ANY REPRODUCTION IN PART OR AS A WHOLE WITHOUT THE WRITTEN PERMISSION OF SOLVE IMG IS PROHIBITED.

9 8 7 6 5 4 3 2 1