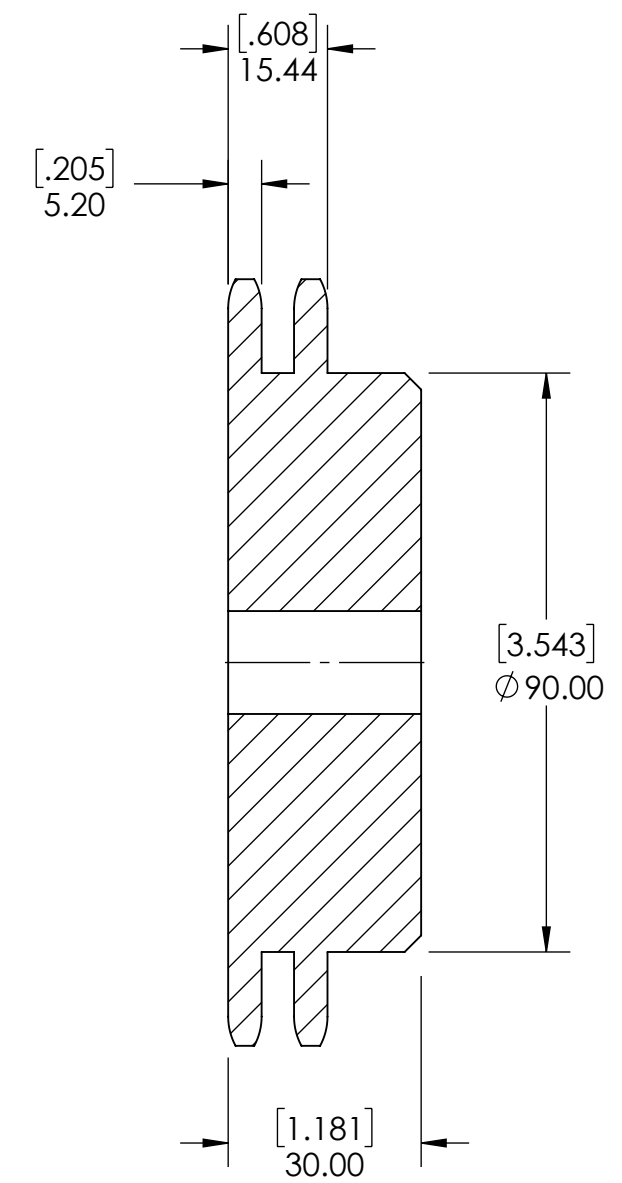
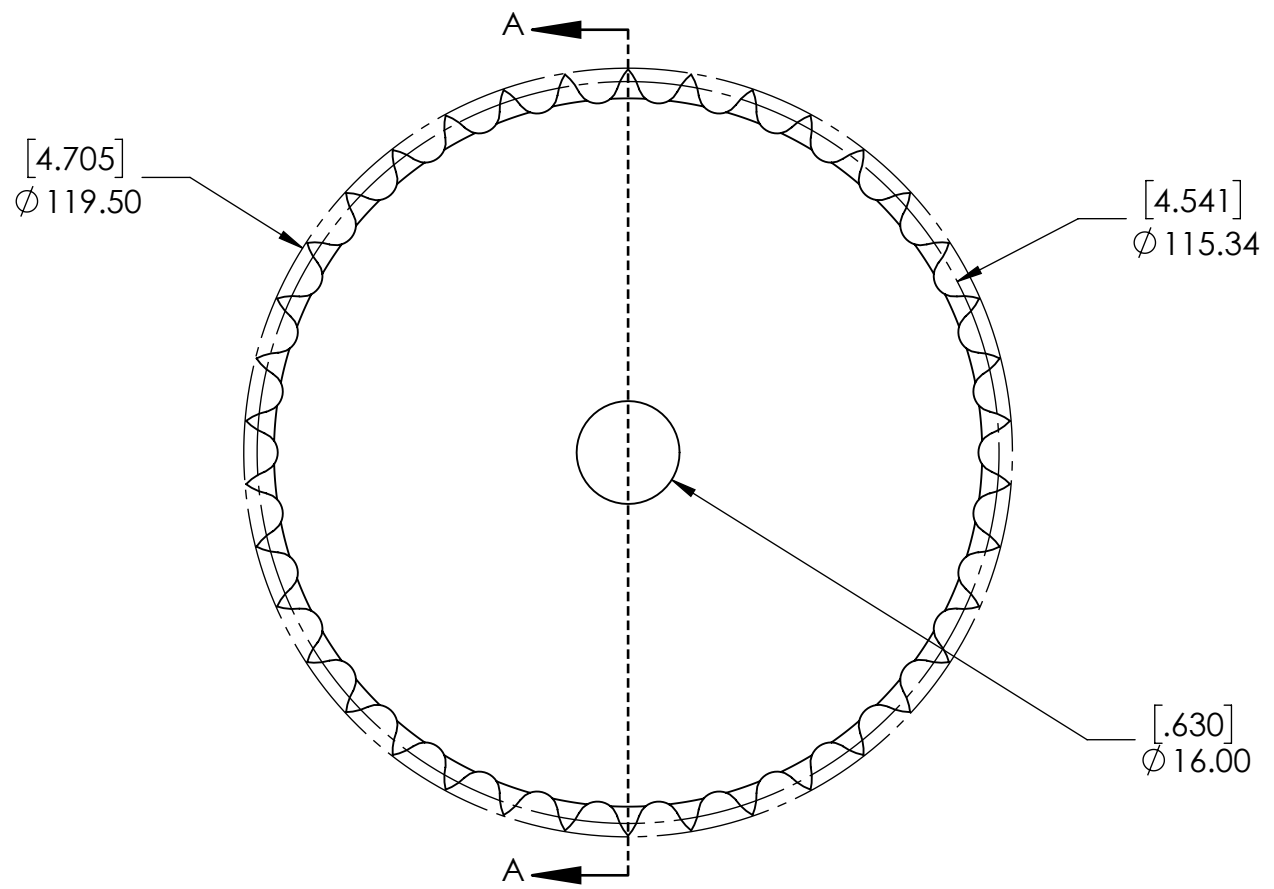


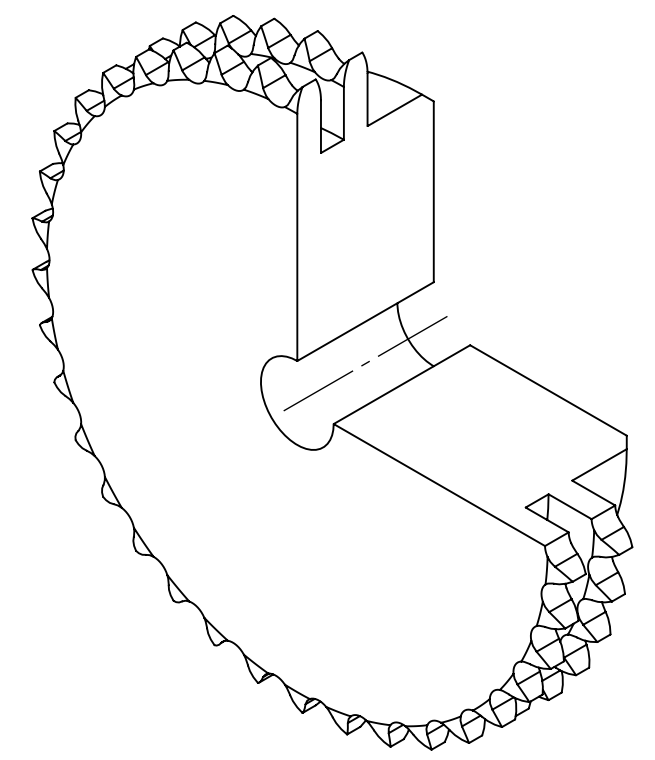
9 8 7 6 5 4 3 2 1

G  
F  
E  
D  
C  
B  
A

G  
F  
E  
D  
C  
B  
A



SECTION A-A

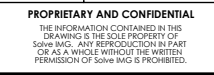


SPROCKETS SPECIFICATIONS		WEIGHT		DATE		BY		REVISION DESCRIPTION		REV
UNITS	mm (INCH)	3.82 LBS								
CHAIN SIZE	06B	MATERIAL	STEEL							
PITCH	9.525 mm	COATING	BLACK OXIDE							
INNER WIDTH	5.72 mm	DRAWN	SEC	07/30/2025						
ROLLER DIA.	6.35 mm	CHECKED	EG	07/30/2025						
TOOTH WIDTH	5.20 mm	APPROVED								
NUMBER OF TEETH	38									
HUB STYLE	B									
BORE TYPE	PLAIN BORE									
BUSHING NUMBER	N/A									
		DWG. NO.		DATE		BY		REVISION DESCRIPTION		SCALE
		B PTI		07/30/2025				ITEM DESCRIPTION:		1:1
		DWG. NO.		06B-2-38B						REV
		DWG. NO.		06B-2-38B						-

9 8 7 6 5 4 3 2 1

A

THIRD ANGLE PROJECTION



PROPRIETARY AND CONFIDENTIAL  
THE INFORMATION CONTAINED IN THIS DRAWING IS THE SOLE PROPERTY OF SOLVE IMG. ANY REPRODUCTION IN PART OR AS A WHOLE WITHOUT THE WRITTEN PERMISSION OF SOLVE IMG IS PROHIBITED.