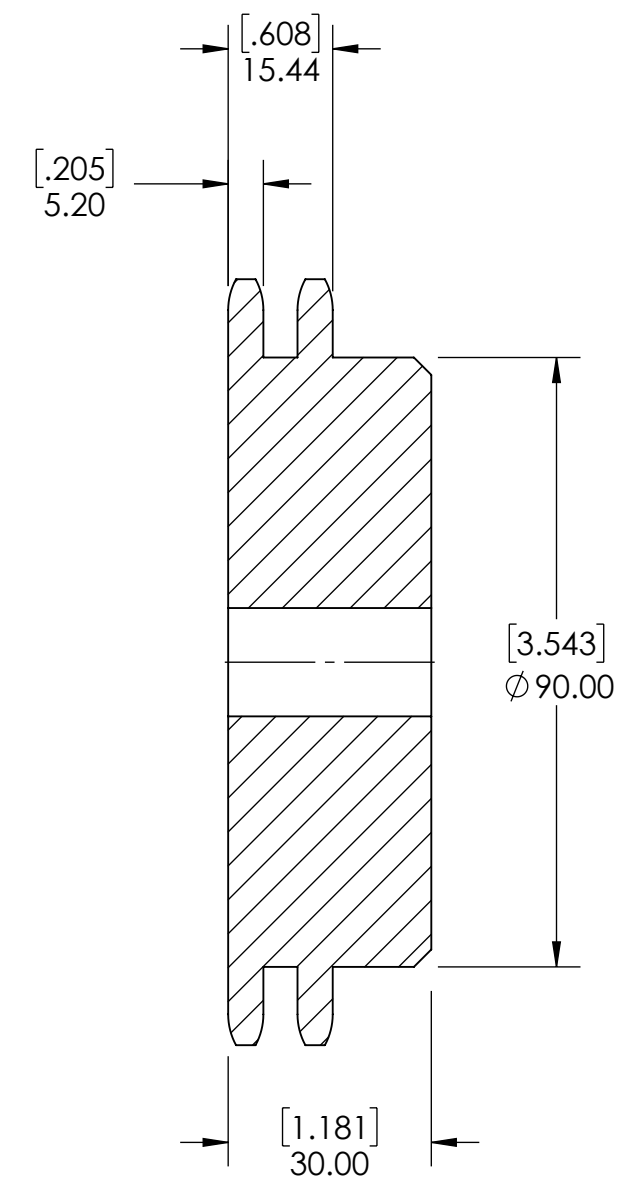
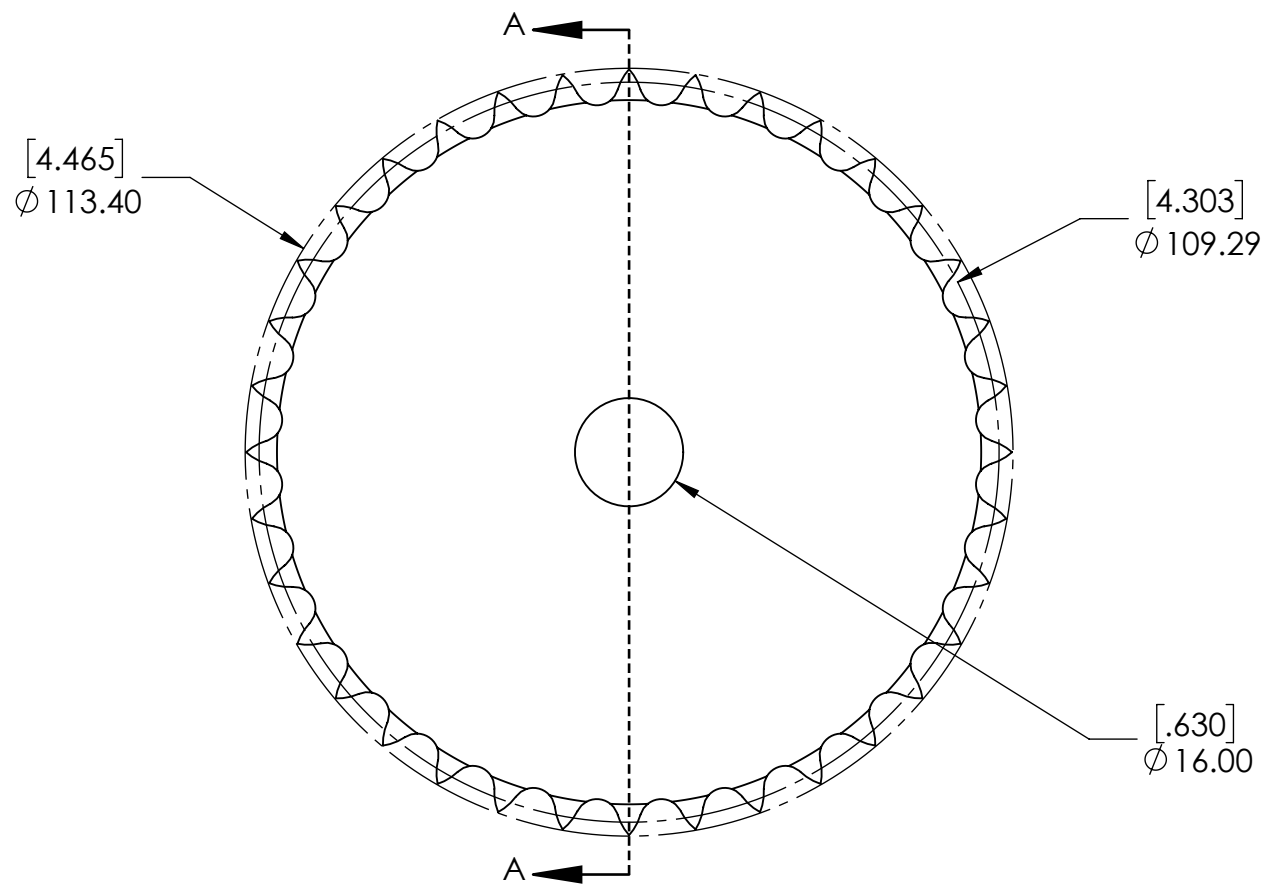


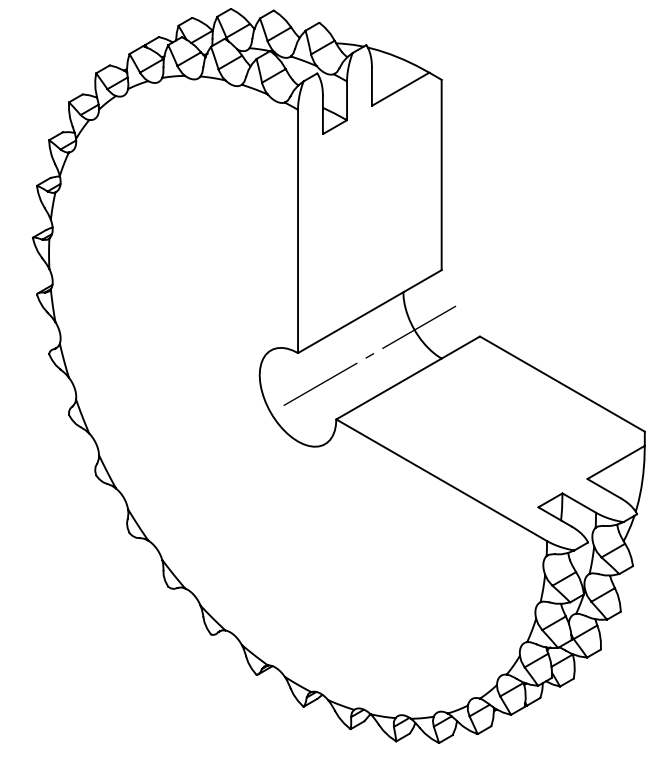
9 8 7 6 5 4 3 2 1

G  
F  
E  
D  
C  
B  
A

G  
F  
E  
D  
C  
B  
A



SECTION A-A



SPROCKETS SPECIFICATIONS		WEIGHT		DATE		BY		REVISION DESCRIPTION		REV
UNITS	mm (INCH)	3.63 LBS								
CHAIN SIZE	06B	MATERIAL	STEEL							
PITCH	9.525 mm	COATING	BLACK OXIDE							
INNER WIDTH	5.72 mm	DRAWN	SEC	07/30/2025						
ROLLER DIA.	6.35 mm	CHECKED	EG	07/30/2025						
TOOTH WIDTH	5.20 mm	APPROVED								
NUMBER OF TEETH	36									
HUB STYLE	B									
BORE TYPE	PLAIN BORE									
BUSHING NUMBER	N/A									
		SIZE <b>PTI</b>		DWG. NO.		ITEM DESCRIPTION:		06B-2-36B		SCALE
										1:1
										REV
										-

9 8 7 6 5 4 3 2 1

A