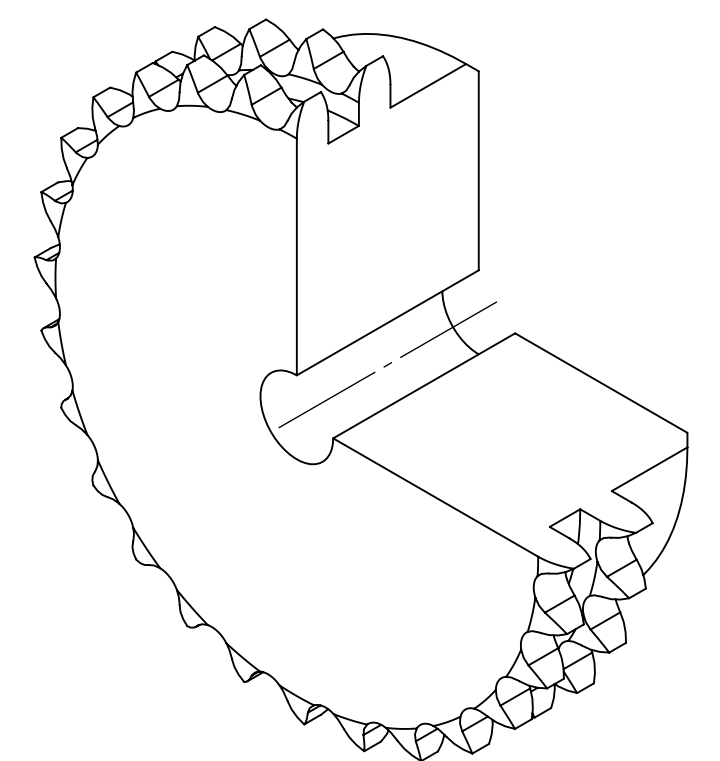
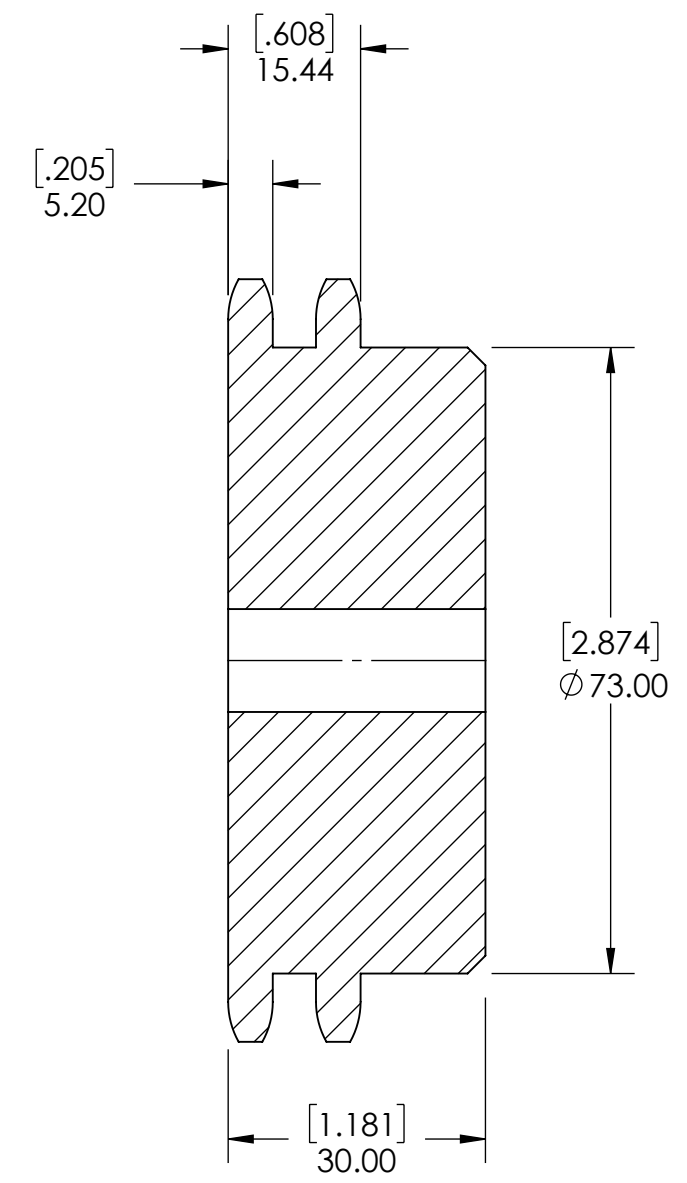
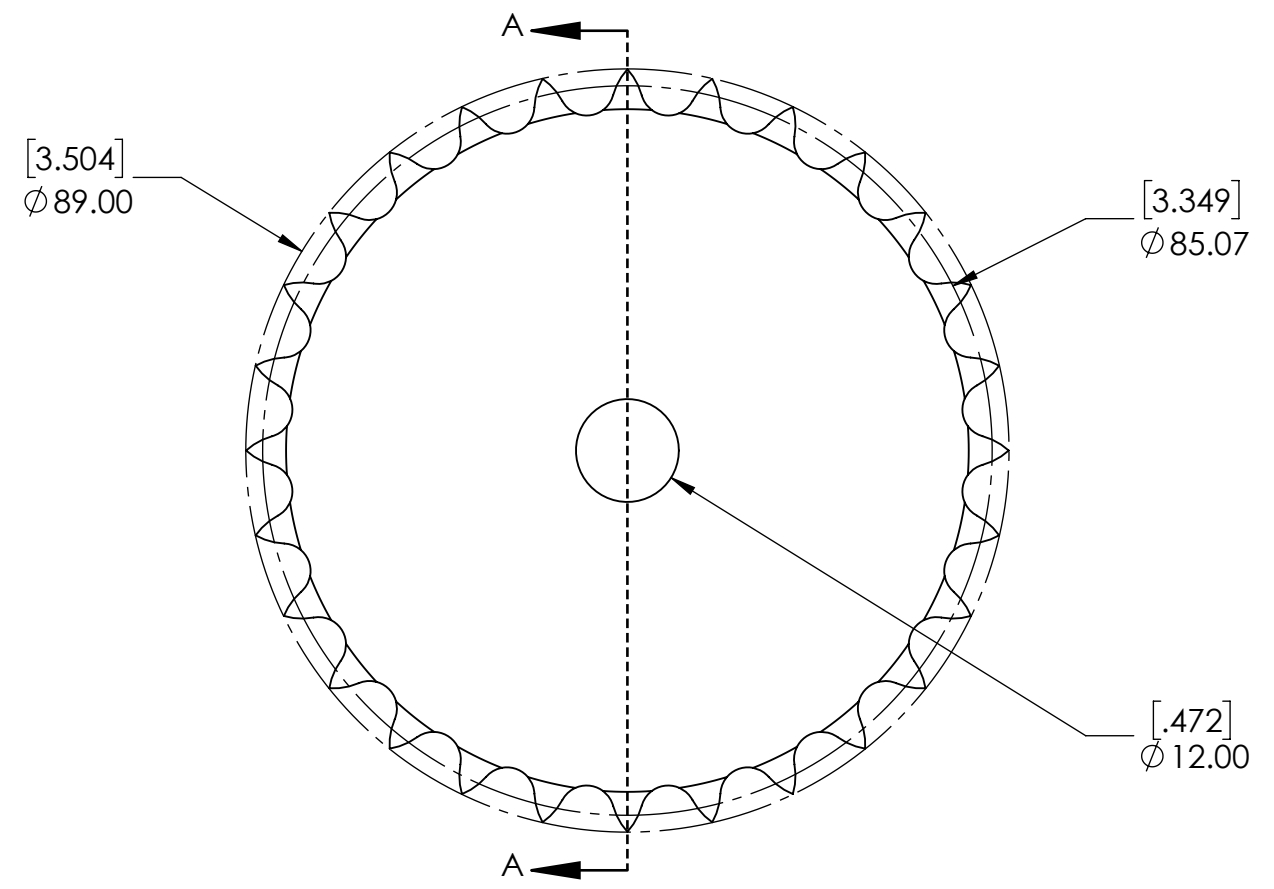


9 8 7 6 5 4 3 2 1

G F E D C B A



SECTION A-A

A B C D E F G

9 8 7 6 5 4 3 2 1

| SPROCKETS SPECIFICATIONS | | WEIGHT | | DATE | | BY | | REVISION DESCRIPTION | | REV |
|--------------------------|------------|--|-------------|------------|--|----|--|----------------------|--|-------|
| UNITS | mm (INCH) | 2.30 LBS | | | | | | | | |
| CHAIN SIZE | 06B | MATERIAL | STEEL | | | | | | | |
| PITCH | 9.525 mm | COATING | BLACK OXIDE | | | | | | | |
| INNER WIDTH | 5.72 mm | DRAWN | SEC | 07/30/2025 | | | | | | |
| ROLLER DIA. | 6.35 mm | CHECKED | EG | 07/30/2025 | | | | | | |
| TOOTH WIDTH | 5.20 mm | APPROVED | | | | | | | | |
| NUMBER OF TEETH | 28 | | | | | | | | | |
| HUB STYLE | B | | | | | | | | | |
| BORE TYPE | PLAIN BORE | | | | | | | | | |
| BUSHING NUMBER | N/A | | | | | | | | | |
| | | DWG. NO. | | DATE | | BY | | REVISION DESCRIPTION | | SCALE |
| | | B PTI | | 07/30/2025 | | | | 06B-2-28B | | 1:1 |
| | | PROPRIETARY AND CONFIDENTIAL | | | | | | ITEM DESCRIPTION: | | REV |
| | | THE INFORMATION CONTAINED IN THIS DRAWING IS THE SOLE PROPERTY OF SOLVE IMG. ANY REPRODUCTION IN PART OR AS A WHOLE WITHOUT THE WRITTEN PERMISSION OF SOLVE IMG IS PROHIBITED. | | | | | | | | - |