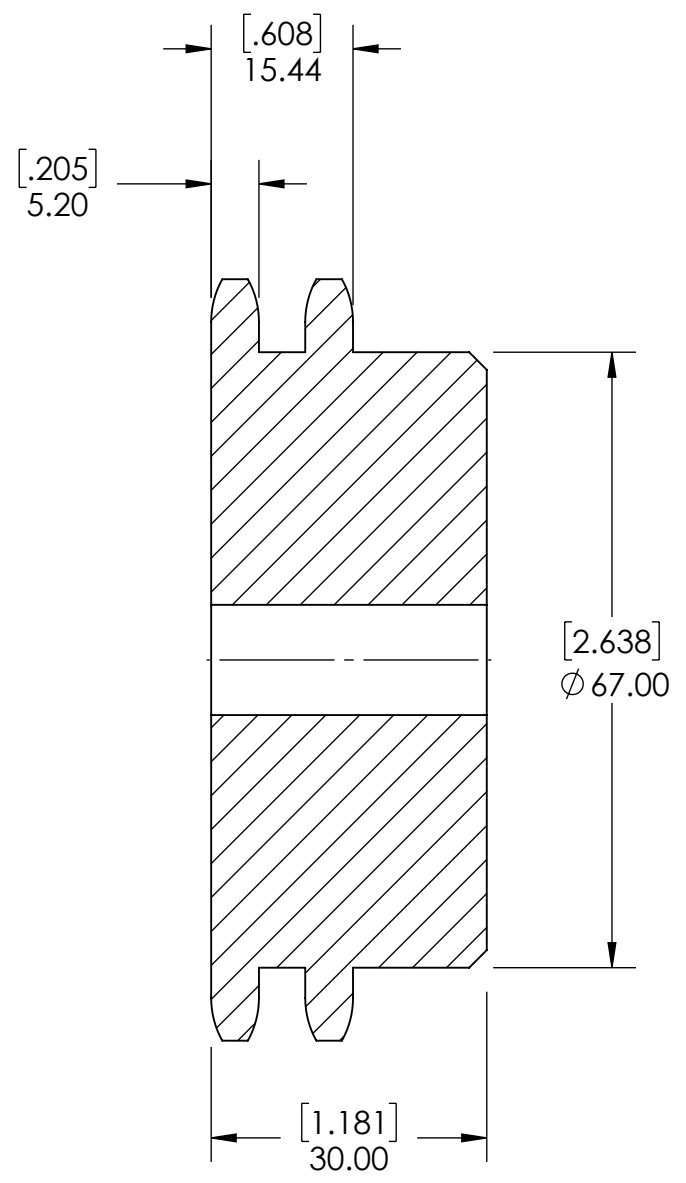
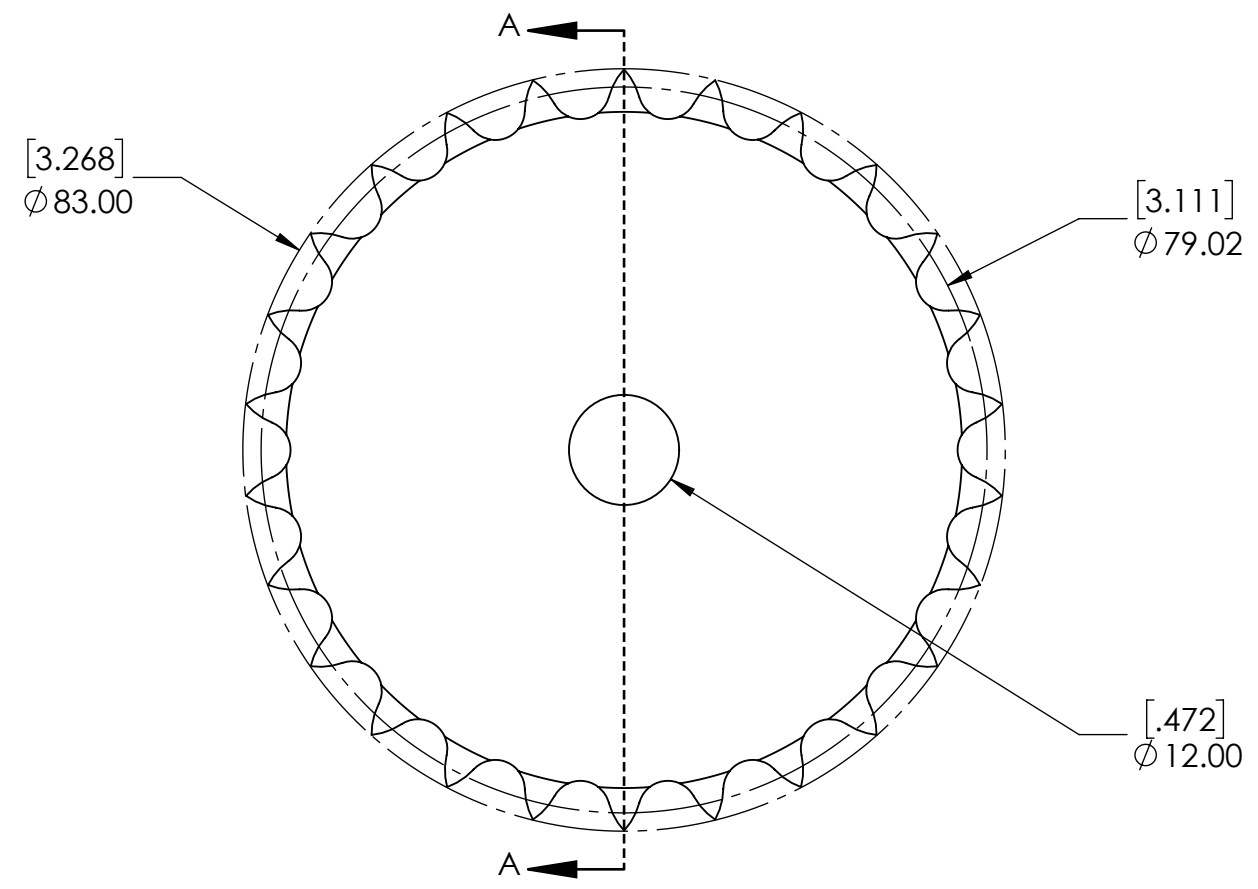


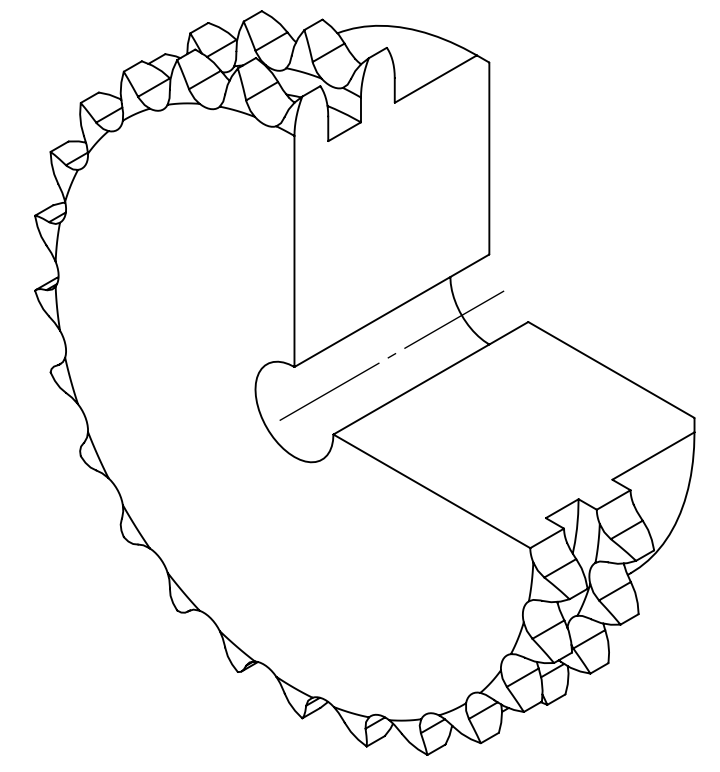
9 8 7 6 5 4 3 2 1

G
F
E
D
C
B
A

G
F
E
D
C
B
A



SECTION A-A



| SPROCKETS SPECIFICATIONS | | WEIGHT | | 1.95 LBS | | | |
|--------------------------|------------|-------------------|-------------|------------|-------|----|----------------------|
| UNITS | mm (INCH) | MATERIAL | STEEL | | | | |
| CHAIN SIZE | 06B | COATING | BLACK OXIDE | | | | |
| PITCH | 9.525 mm | DRAWN | SEC | 07/30/2025 | | | |
| INNER WIDTH | 5.72 mm | CHECKED | EG | 07/30/2025 | | | |
| ROLLER DIA. | 6.35 mm | APPROVED | | | | | |
| TOOTH WIDTH | 5.20 mm | DATE | | | | BY | REVISION DESCRIPTION |
| NUMBER OF TEETH | 26 | ITEM DESCRIPTION: | | | SCALE | | |
| HUB STYLE | B | 06B-2-26B | | | 1:1 | | |
| BORE TYPE | PLAIN BORE | | | | DATE | BY | REV |
| BUSHING NUMBER | N/A | | | | | | - |



PROPRIETARY AND CONFIDENTIAL
THE INFORMATION CONTAINED IN THIS DRAWING IS THE SOLE PROPERTY OF SOLVE IMG. ANY REPRODUCTION IN PART OR AS A WHOLE WITHOUT THE WRITTEN PERMISSION OF SOLVE IMG IS PROHIBITED.

9 8 7 6 5 4 3 2 1