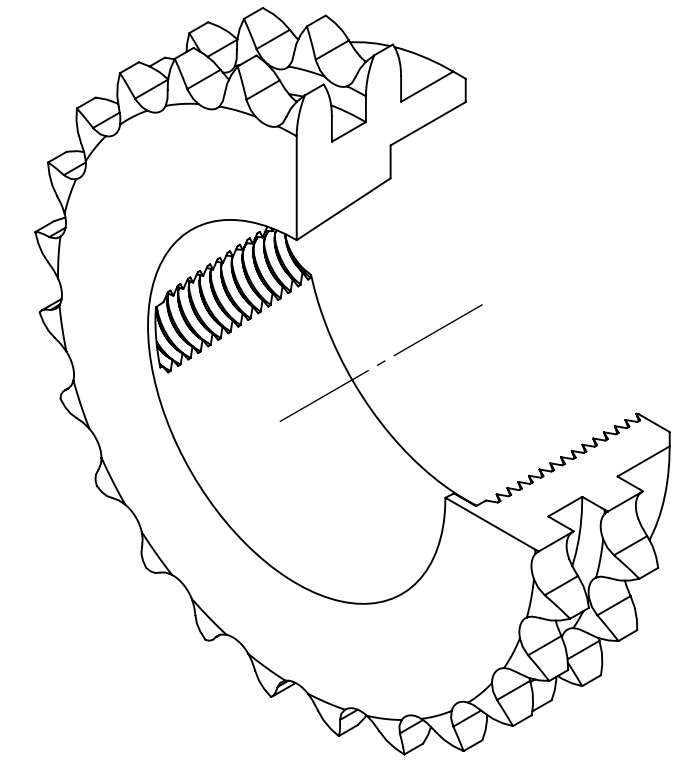
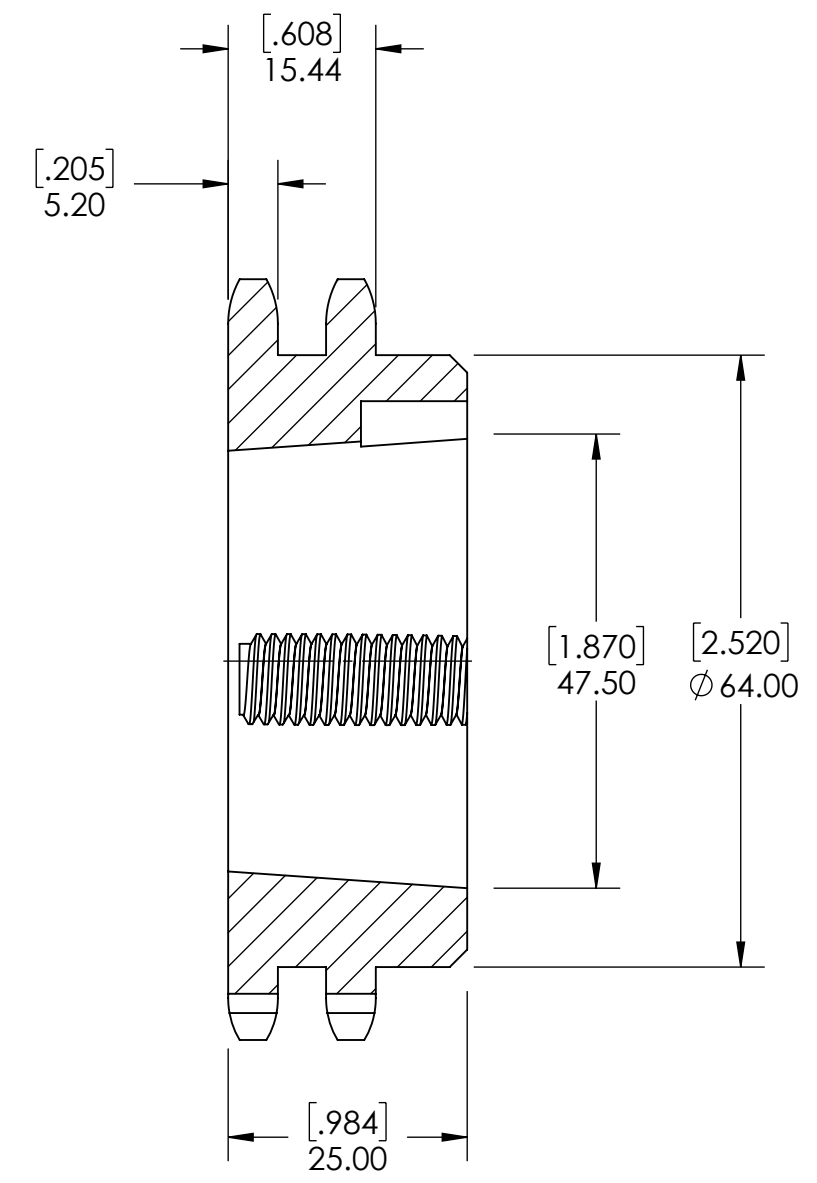
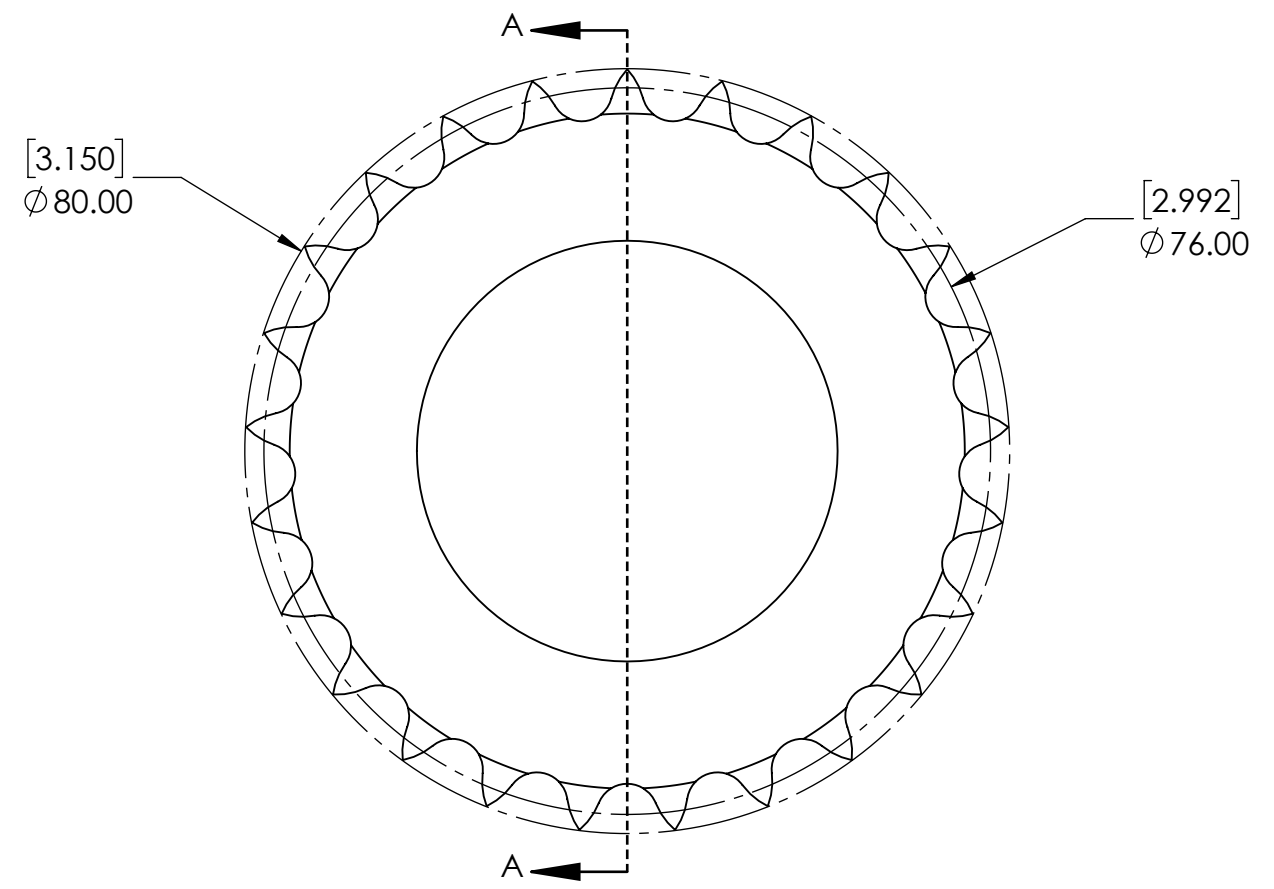


9 8 7 6 5 4 3 2 1

G F E D C B A



SECTION A-A

SPROCKETS SPECIFICATIONS		WEIGHT		DATE		BY		REVISION DESCRIPTION		REV
UNITS	mm (INCH)	0.82 LBS								SCALE
CHAIN SIZE	06B	MATERIAL	STEEL							1:1
PITCH	9.525 mm	COATING	BLACK OXIDE							REV
INNER WIDTH	5.72 mm	DRAWN	SEC	07/30/2025					-	
ROLLER DIA.	6.35 mm	CHECKED	EG	07/30/2025						
TOOTH WIDTH	5.20 mm	APPROVED			ITEM DESCRIPTION:					
NUMBER OF TEETH	25	THIRD ANGLE PROJECTION				06B-2-25TL-1210				
HUB STYLE	B	DWG. NO.		PROPRIETARY AND CONFIDENTIAL						
BORE TYPE	FOR TAPER BUSHING			THE INFORMATION CONTAINED IN THIS DRAWING IS THE SOLE PROPERTY OF SOLVE IMG. ANY REPRODUCTION IN PART OR AS A WHOLE WITHOUT THE WRITTEN PERMISSION OF SOLVE IMG IS PROHIBITED.						
BUSHING NUMBER	1210									

9 8 7 6 5 4 3 2 1

A B C D E F G