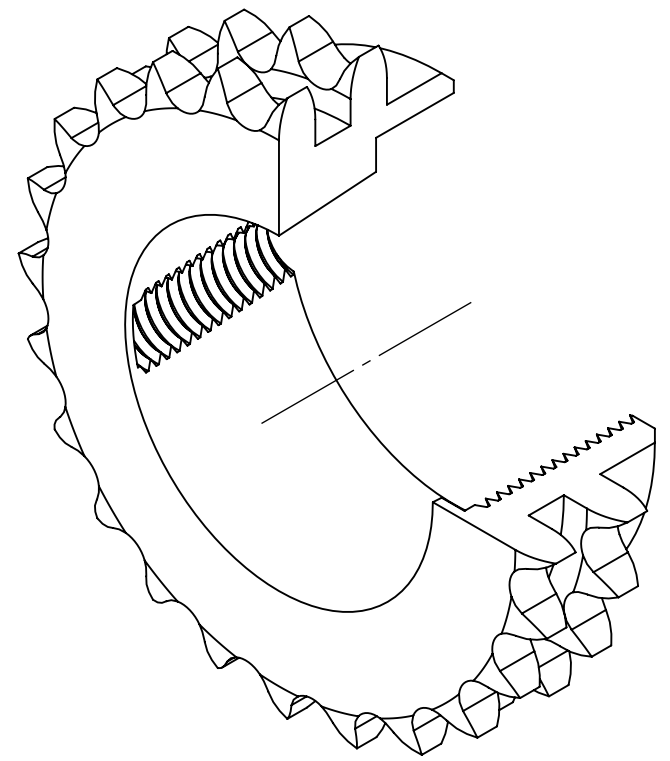
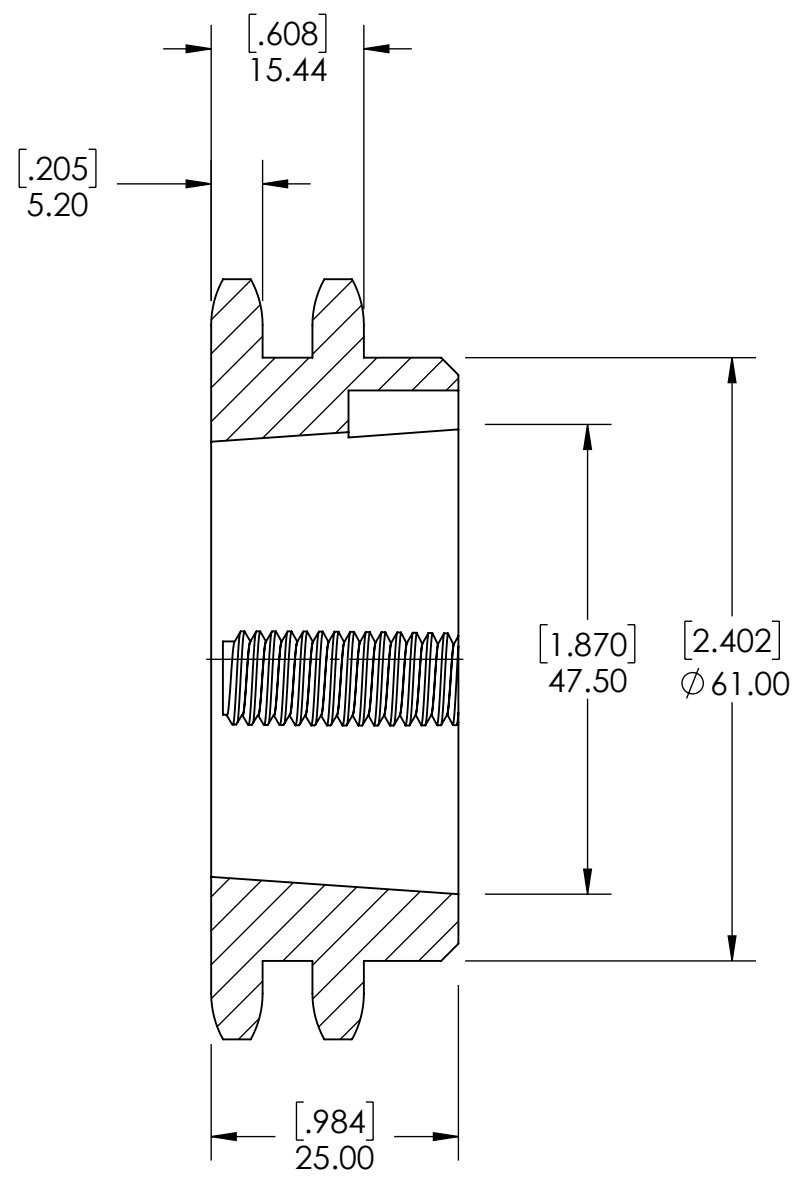
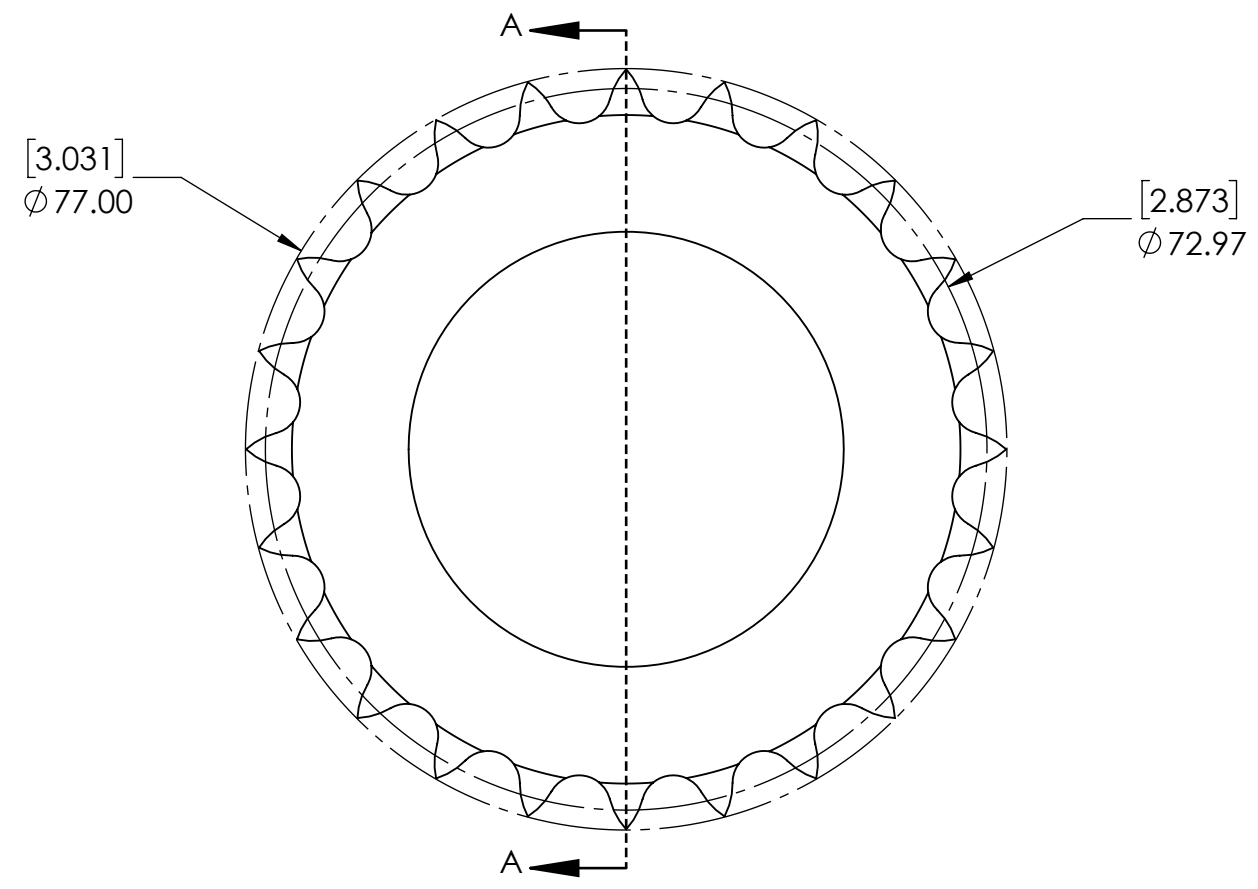


9 8 7 6 5 4 3 2 1

G
F
E
D
C
B
A

G
F
E
D
C
B
A



SECTION A-A

SPROCKETS SPECIFICATIONS		WEIGHT		DATE		BY		REVISION DESCRIPTION		REV
UNITS	mm (INCH)	0.69 LBS								SCALE
CHAIN SIZE	06B	MATERIAL	STEEL							1:1
PITCH	9.525 mm	COATING	BLACK OXIDE							REV
INNER WIDTH	5.72 mm	DRAWN	SEC	07/30/2025					-	
ROLLER DIA.	6.35 mm	CHECKED	EG	07/30/2025						
TOOTH WIDTH	5.20 mm	APPROVED								
NUMBER OF TEETH	24									
HUB STYLE	B									
BORE TYPE	FOR TAPER BUSHING									
BUSHING NUMBER	1210									
		DWG. NO.		ITEM DESCRIPTION:		06B-2-24TL-1210				

9 8 7 6 5 4 3 2 1

A



PROPRIETARY AND CONFIDENTIAL
THE INFORMATION CONTAINED IN THIS DRAWING IS THE SOLE PROPERTY OF SOLVE IMG. ANY REPRODUCTION IN PART OR AS A WHOLE WITHOUT THE WRITTEN PERMISSION OF SOLVE IMG IS PROHIBITED.