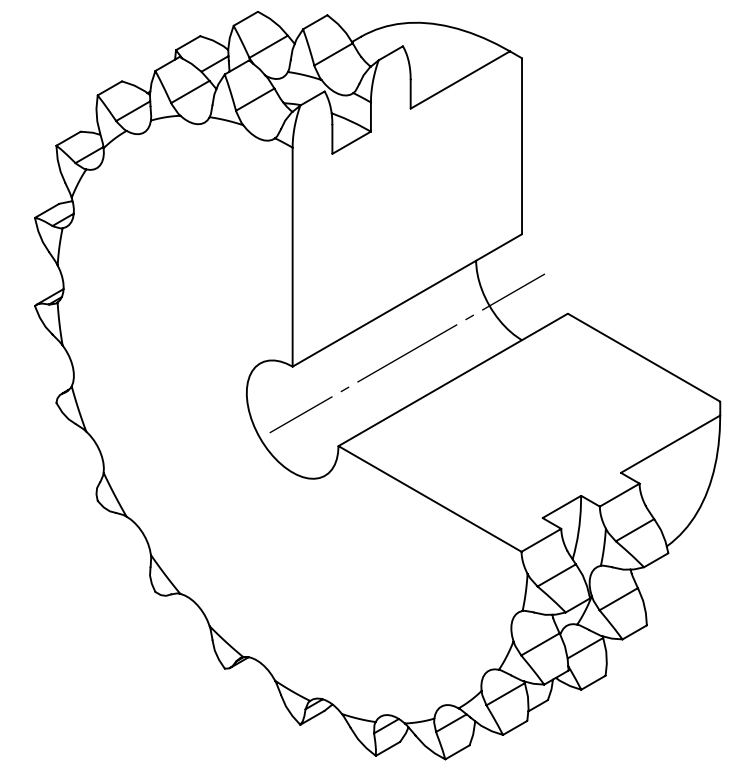
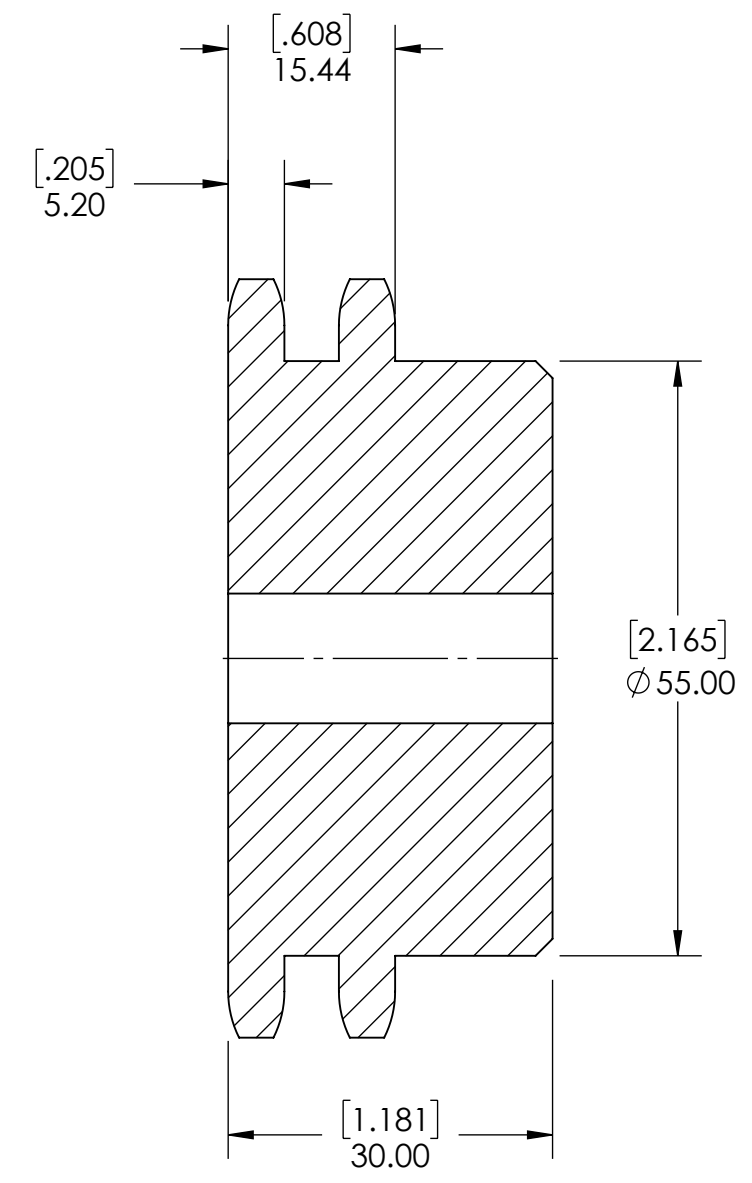
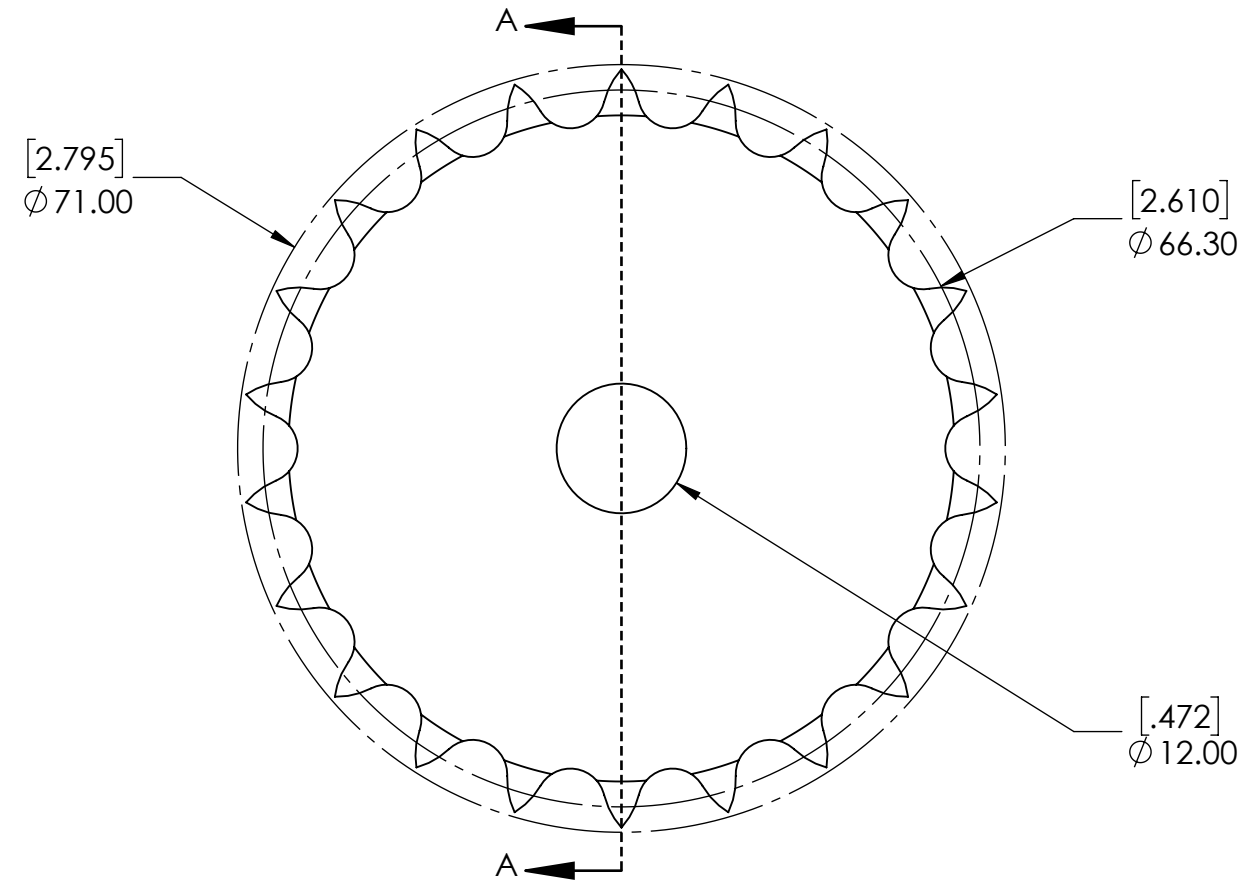


9 8 7 6 5 4 3 2 1

G F E D C B A



SECTION A-A

SPROCKETS SPECIFICATIONS		WEIGHT		1.31 LBS	
UNITS	mm (INCH)	MATERIAL	STEEL		
CHAIN SIZE	06B	COATING	BLACK OXIDE		
PITCH	9.525 mm	DRAWN	SEC	07/30/2025	
INNER WIDTH	5.72 mm	CHECKED	EG	07/30/2025	
ROLLER DIA.	6.35 mm	APPROVED	DATE BY REVISION DESCRIPTION		
TOOTH WIDTH	5.20 mm		ITEM DESCRIPTION:		
NUMBER OF TEETH	22		06B-2-22B		
HUB STYLE	B	DWG. NO.		SCALE	
BORE TYPE	PLAIN BORE	<small>PROPRIETARY AND CONFIDENTIAL</small> <small>THE INFORMATION CONTAINED IN THIS DRAWING IS THE SOLE PROPERTY OF SOLVE IMG. ANY REPRODUCTION IN PART OR AS A WHOLE WITHOUT THE WRITTEN PERMISSION OF SOLVE IMG IS PROHIBITED.</small>		1:1	
BUSHING NUMBER	N/A			REV -	

9 8 7 6 5 4 3 2 1

A B C D E F G