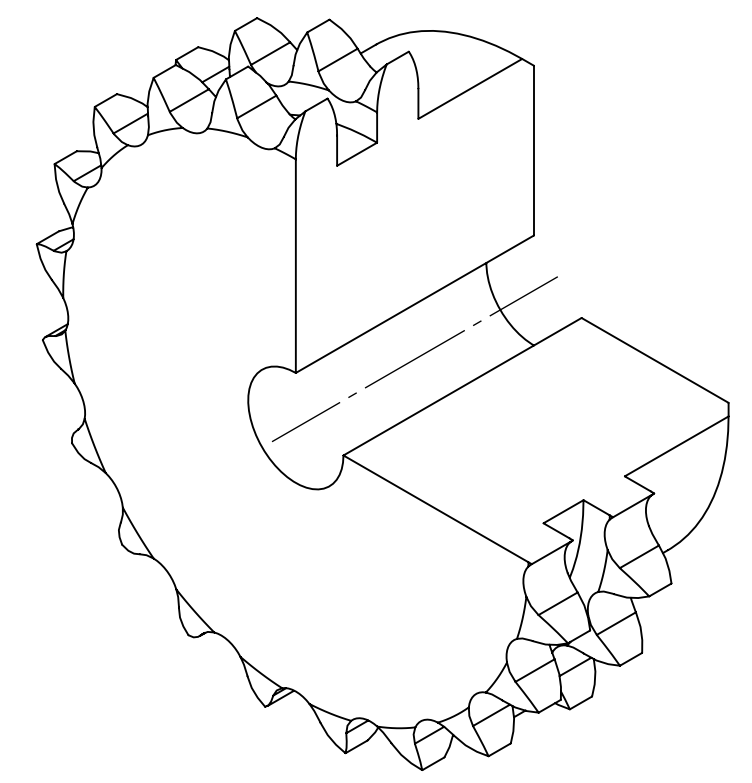
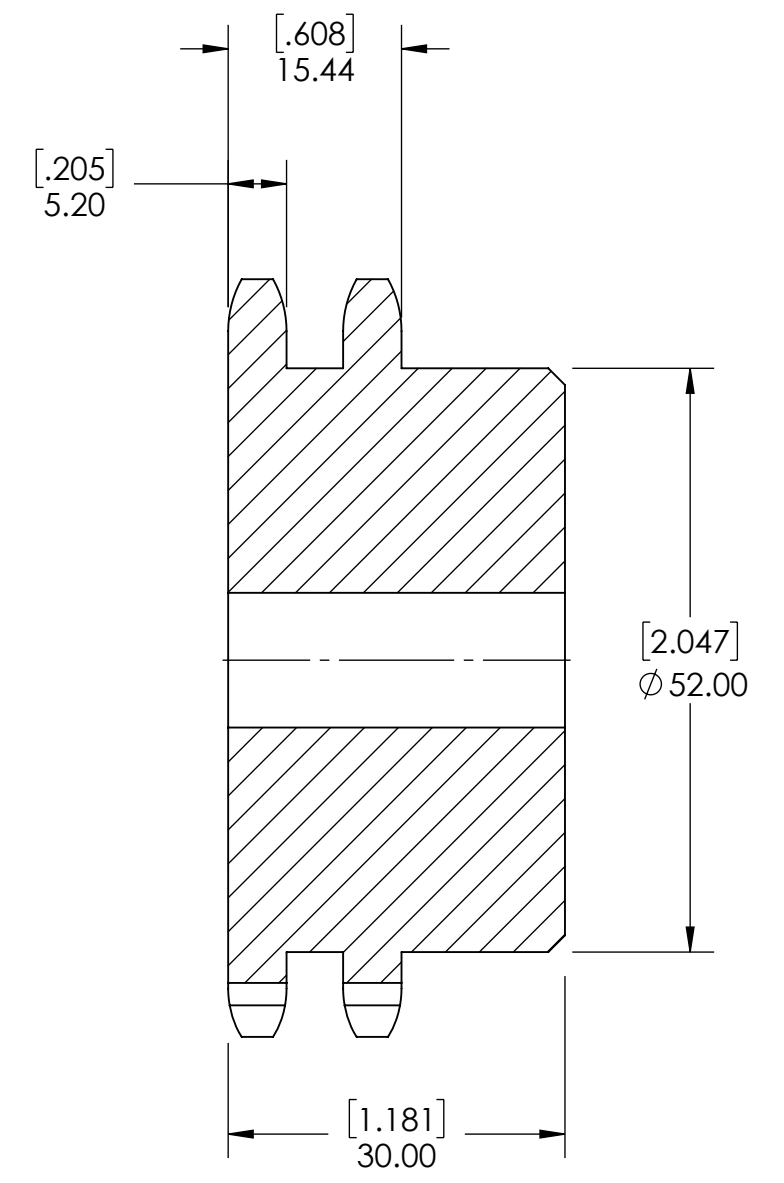
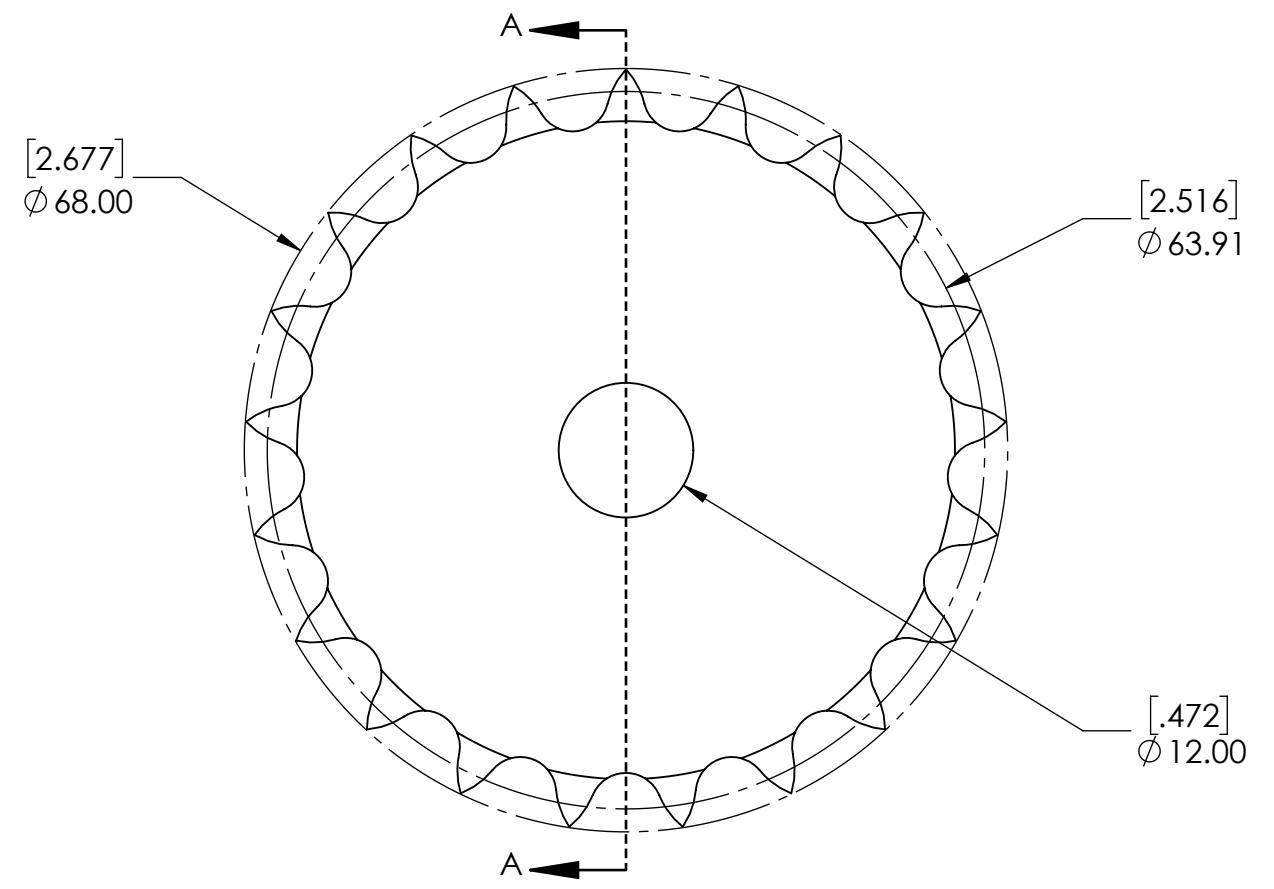


9 8 7 6 5 4 3 2 1

G F E D C B A



SECTION A-A

| SPROCKETS SPECIFICATIONS |            | WEIGHT            |             | 1.18 LBS             |     |
|--------------------------|------------|-------------------|-------------|----------------------|-----|
| UNITS                    | mm (INCH)  | MATERIAL          | STEEL       |                      |     |
| CHAIN SIZE               | 06B        | COATING           | BLACK OXIDE |                      |     |
| PITCH                    | 9.525 mm   | DRAWN             | SEC         | 07/30/2025           |     |
| INNER WIDTH              | 5.72 mm    | CHECKED           | EG          | 07/30/2025           |     |
| ROLLER DIA.              | 6.35 mm    | APPROVED          |             |                      |     |
| TOOTH WIDTH              | 5.20 mm    | DATE              | BY          | REVISION DESCRIPTION |     |
| NUMBER OF TEETH          | 21         | ITEM DESCRIPTION: |             |                      |     |
| HUB STYLE                | B          | 06B-2-21B         |             | SCALE                | 1:1 |
| BORE TYPE                | PLAIN BORE |                   |             | REV                  | -   |
| BUSHING NUMBER           | N/A        |                   |             |                      |     |



DWG. NO. PROPRIETARY AND CONFIDENTIAL  
THE INFORMATION CONTAINED IN THIS DRAWING IS THE SOLE PROPERTY OF SOLVE IMG. ANY REPRODUCTION IN PART OR AS A WHOLE WITHOUT THE WRITTEN PERMISSION OF SOLVE IMG IS PROHIBITED.

9 8 7 6 5 4 3 2 1

A